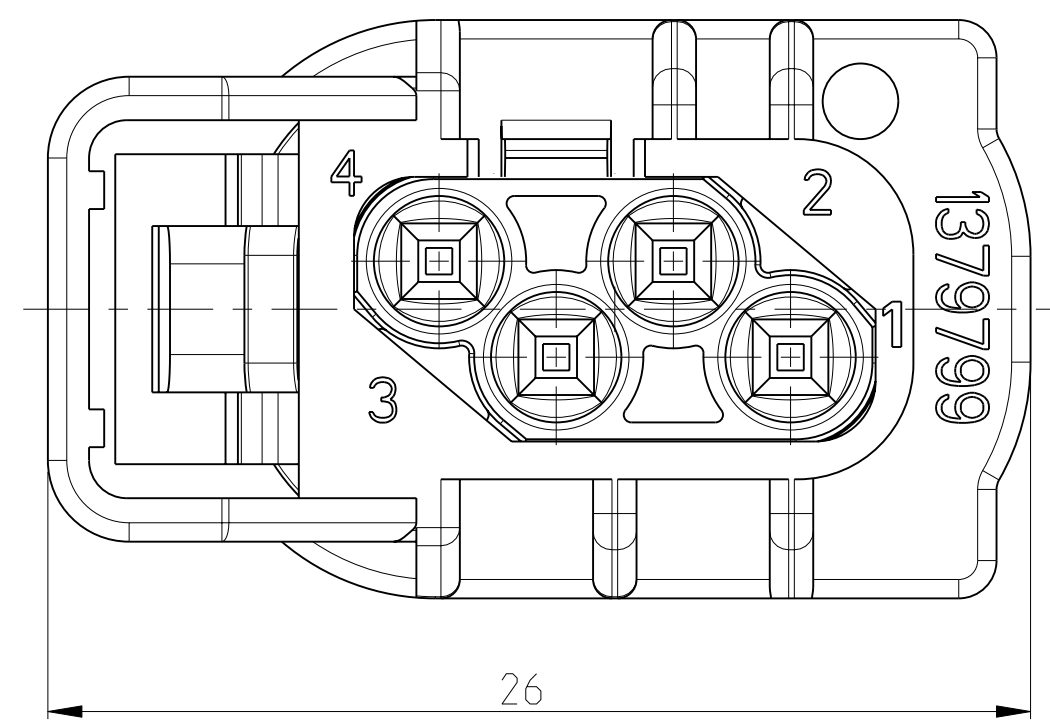
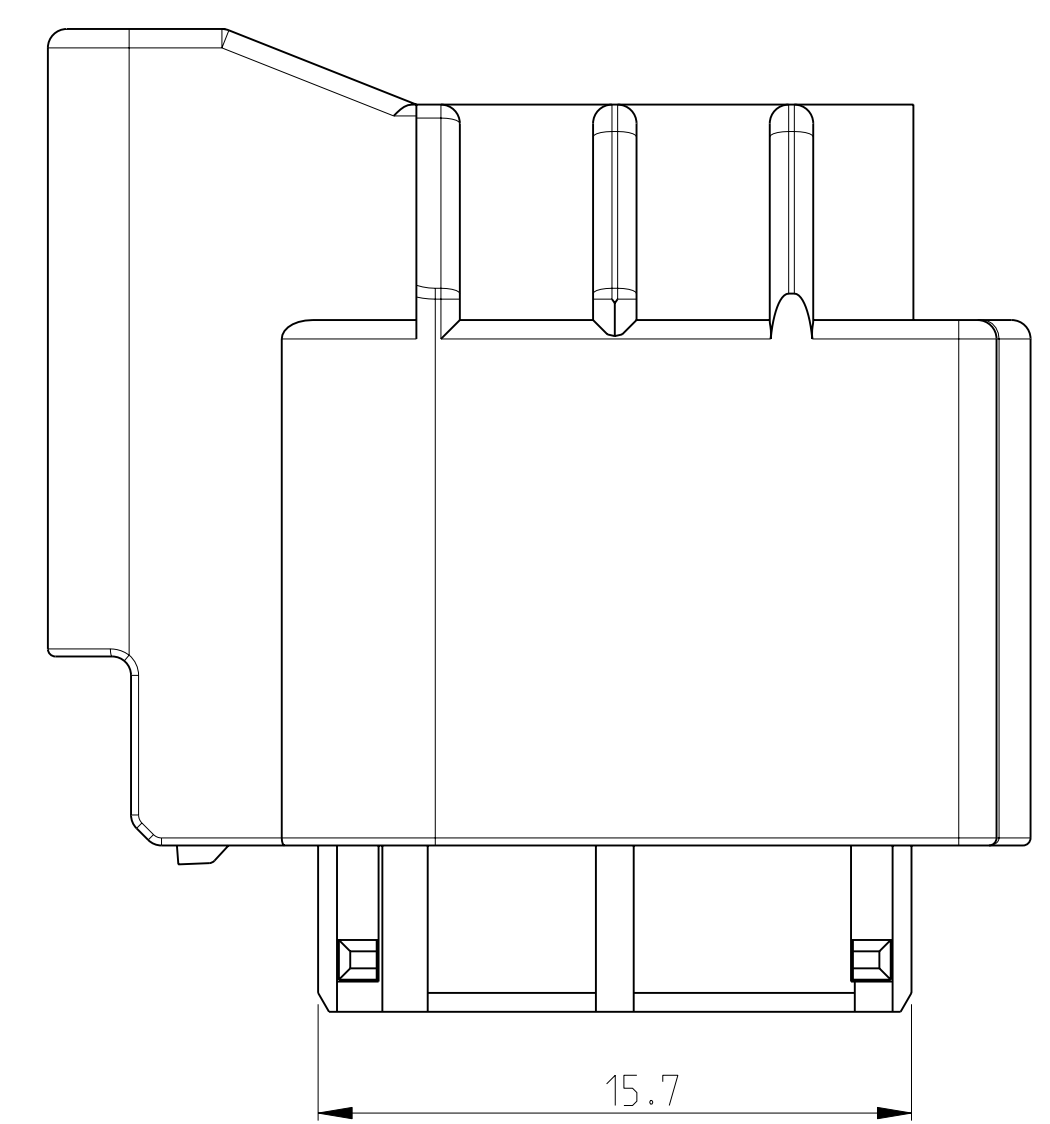
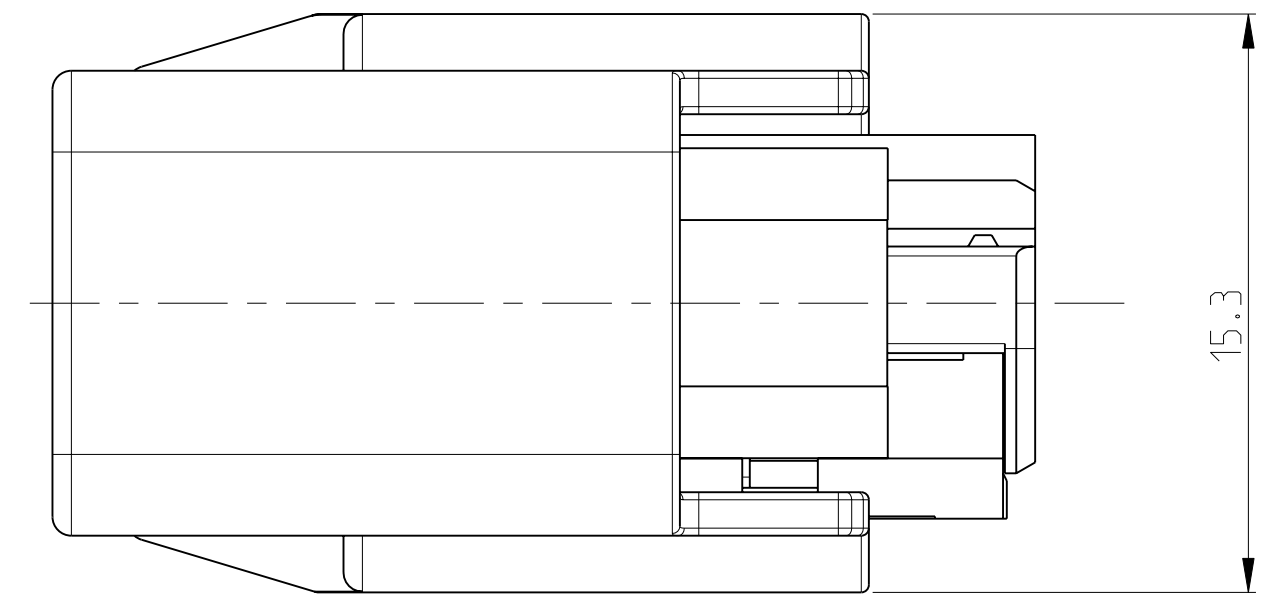
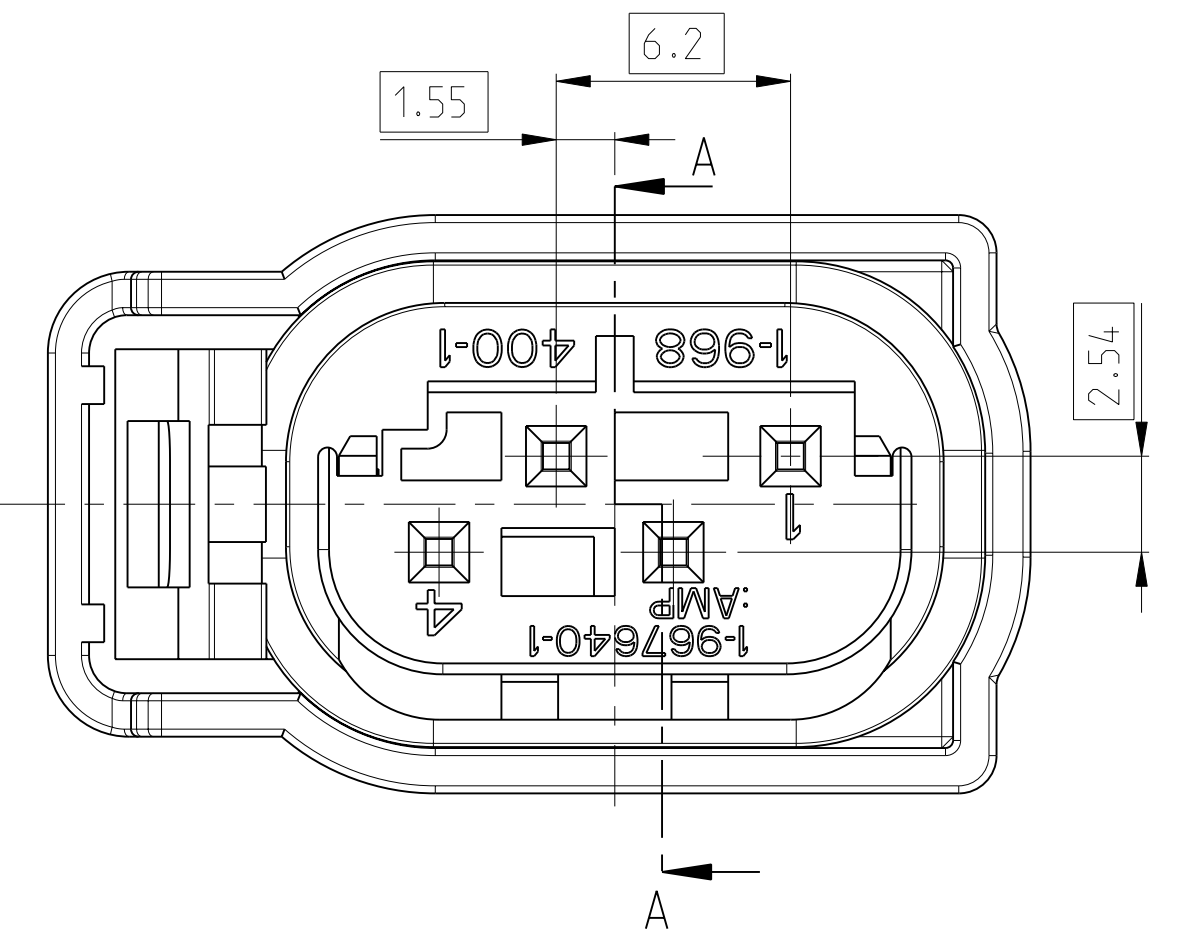
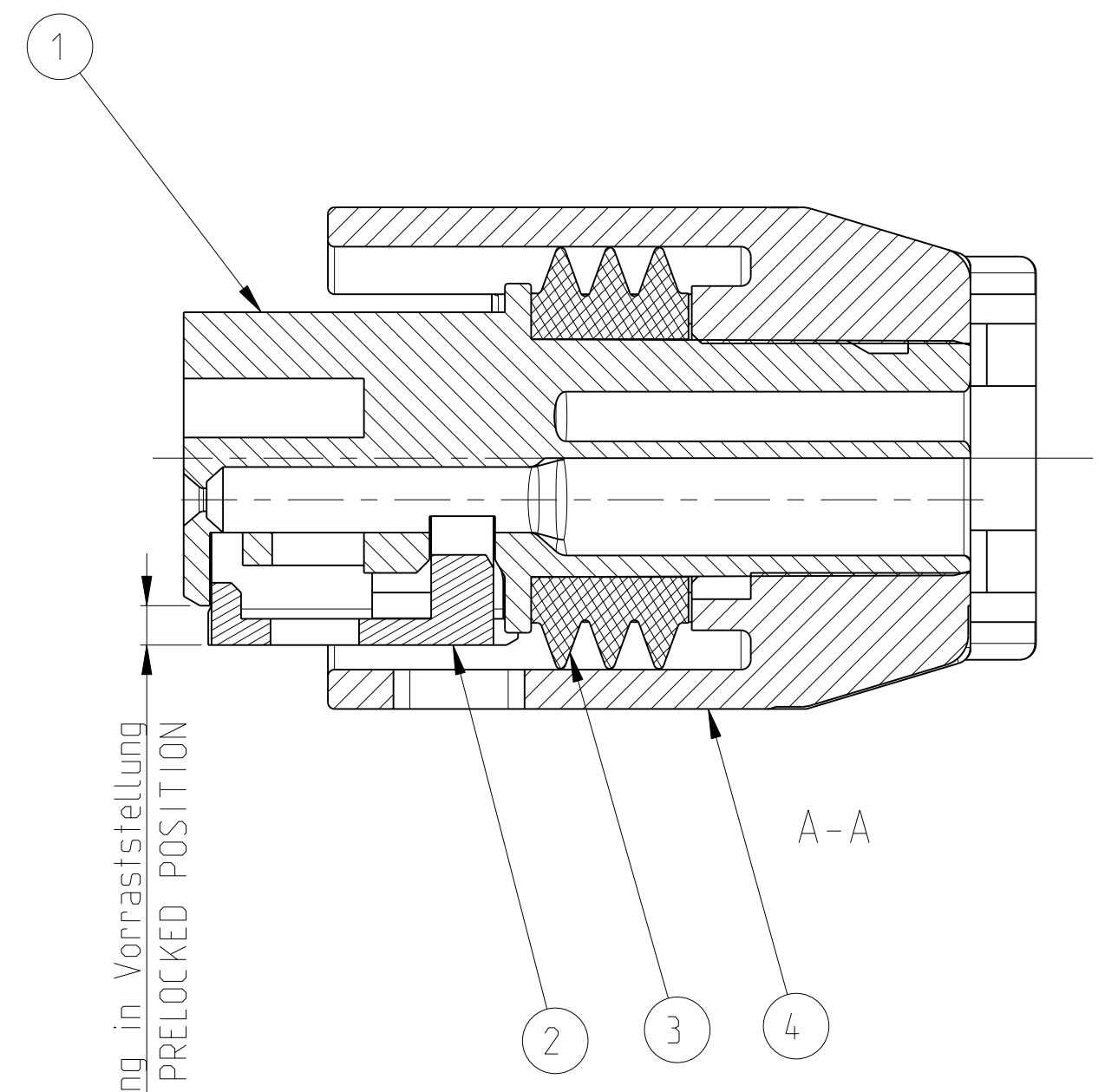
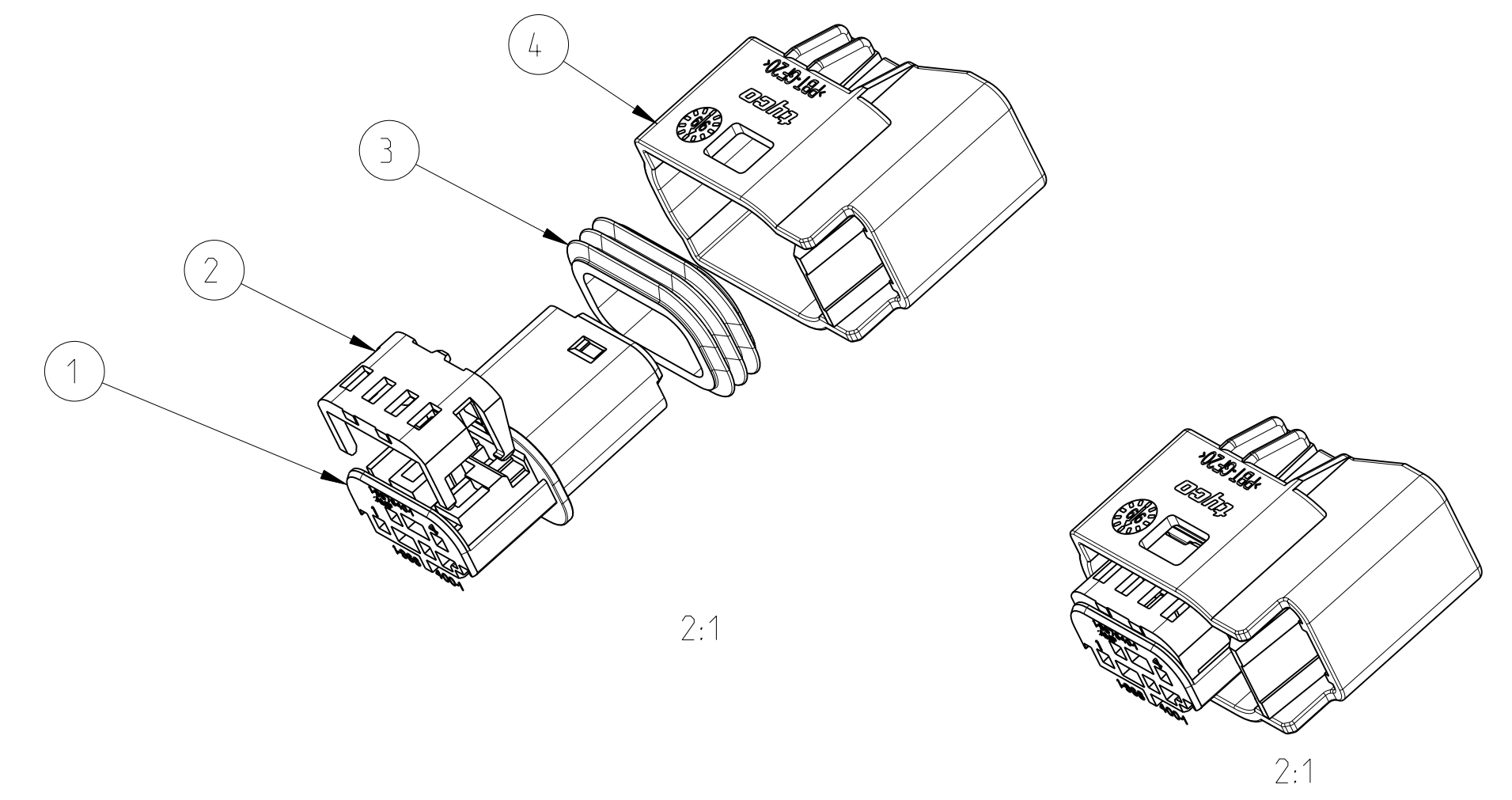
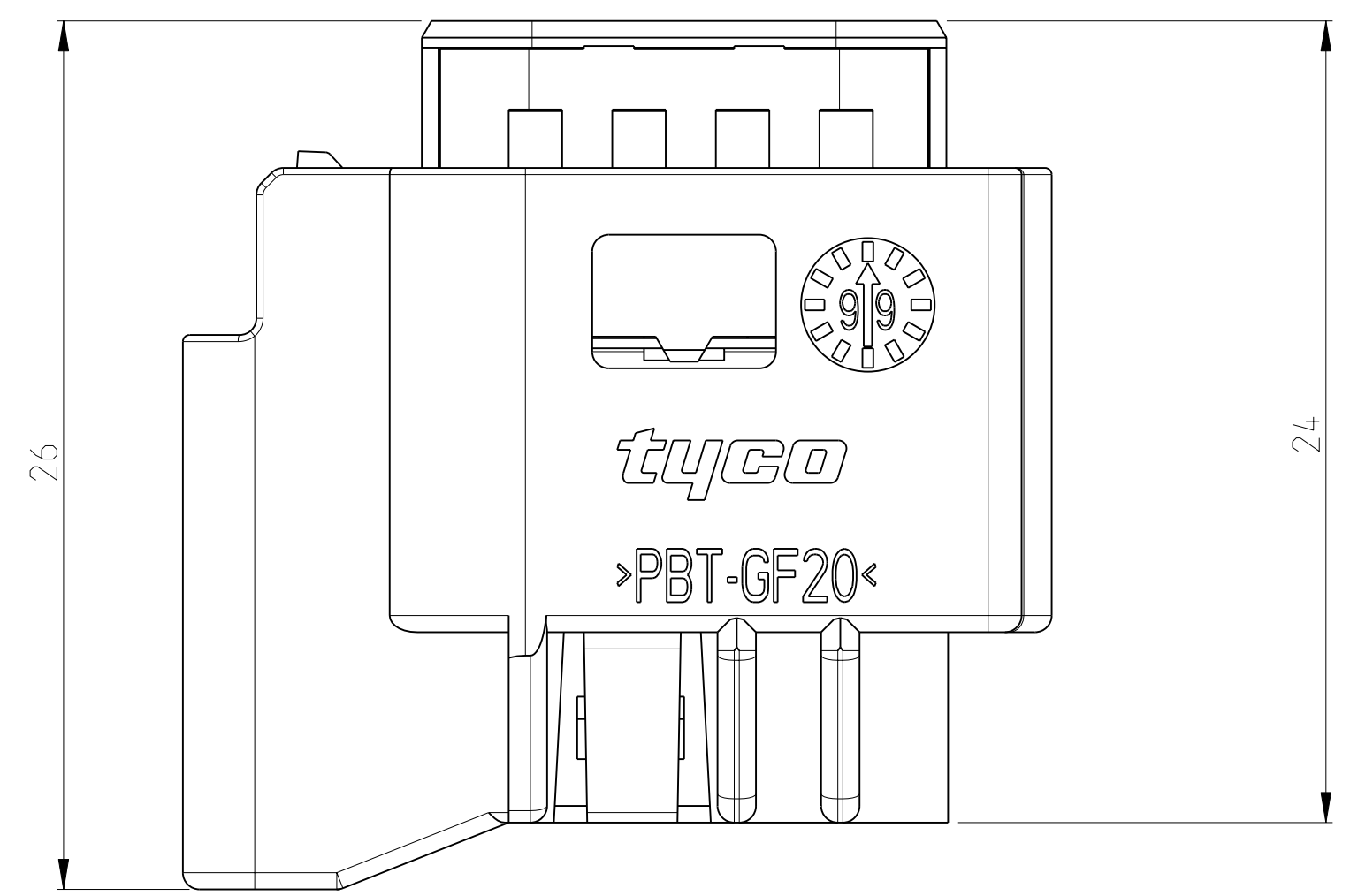


LOC	DIST	REV	DATE	BY	APPV
A1	-	A	07MAY2009	MT	HR



**0-1823865-1 AS SHOWN  
 CODING A**

COMPONENT	REF TE
MQS SINGLE WIRE SEAL	967067-X
MQS CAVITY PLUG FOR CAVITY DIA 3.45mm	967056-X
MQS SOCKET CONTACT SINGLE WIRE SEALING FOR 0.35 TO 0.5mm <sup>2</sup>	962885-X
MQS SOCKET CONTACT SINGLE WIRE SEALING FOR 0.5 TO 0.75mm <sup>2</sup>	965906-X

QTY REQD PER ASSY	TE- ASSY NO.	CODE	REV	DESCRIPTION	MATERIAL	COLOR	ITEM NO.
	0-1823865-1	A	A	PROTECTIVE COVER & POS.	PBT-GF-20	BLACK	4
				SEALING & POS.	SILICON	NATURAL	3
				RETAINER & POS.	PBT-GF-15	GREEN	2
				SOCKET HOUSING & POS.	PBT-GF-15	BLACK	1

DIMENSIONS: mm 		TOLERANCES UNLESS OTHERWISE SPECIFIED: 9 PLC ±0.5 1 PLC ±0.5 2 PLC ± 3 PLC ± 4 PLC ± ANGLES ±° FINISH		DWN M. TRAJKOV 28APR2009 CHK H. RIPPER 28APR2009 APVD NAME PRODUCT SPEC APPLICATION SPEC WEIGHT CUSTOMER DRAWING		Tyco Electronics AMP GmbH 64625 Bensheim (Germany) MQS SOCKET HOUSING SWS 4POS. MQS Buchsengehäuse EDS 4pol. SIZE CAGE CODE DRAWING NO. RESTRICTED TO A1 00779 C=1823865 1 OF 1 REV A	
-----------------------	--	--	--	---	--	--	--