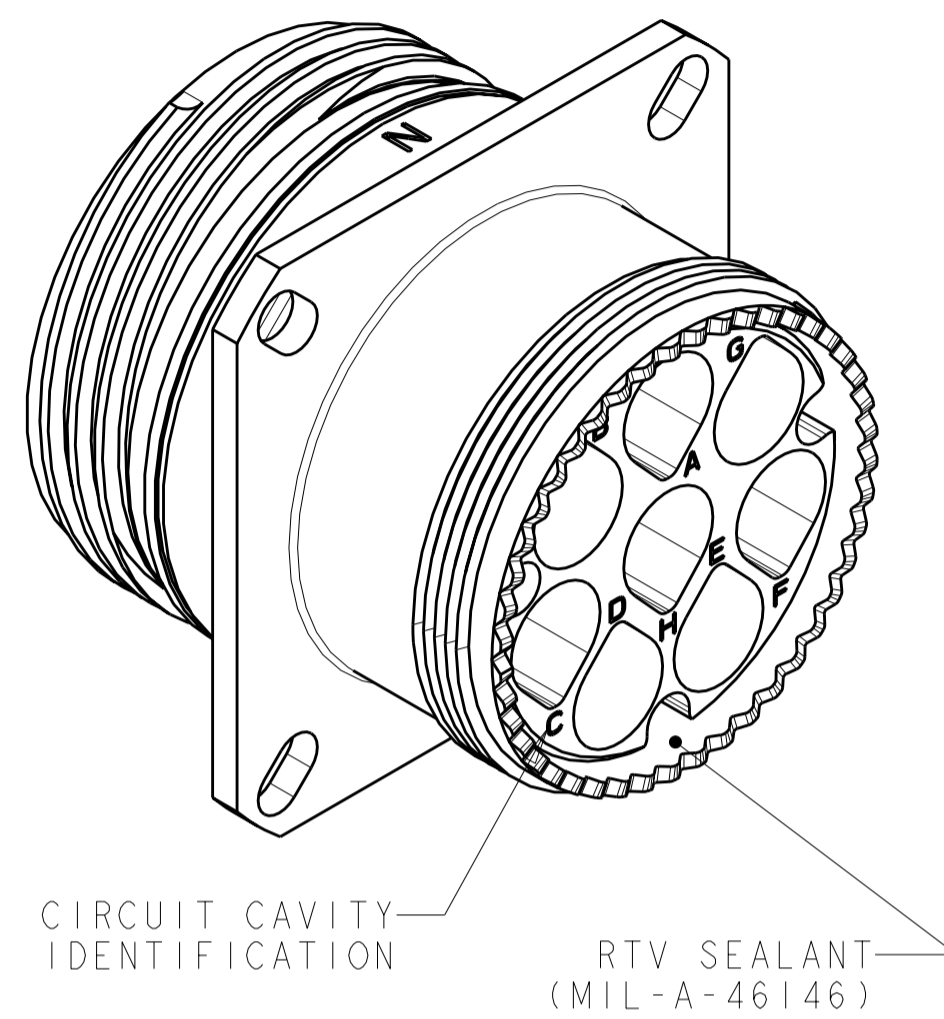
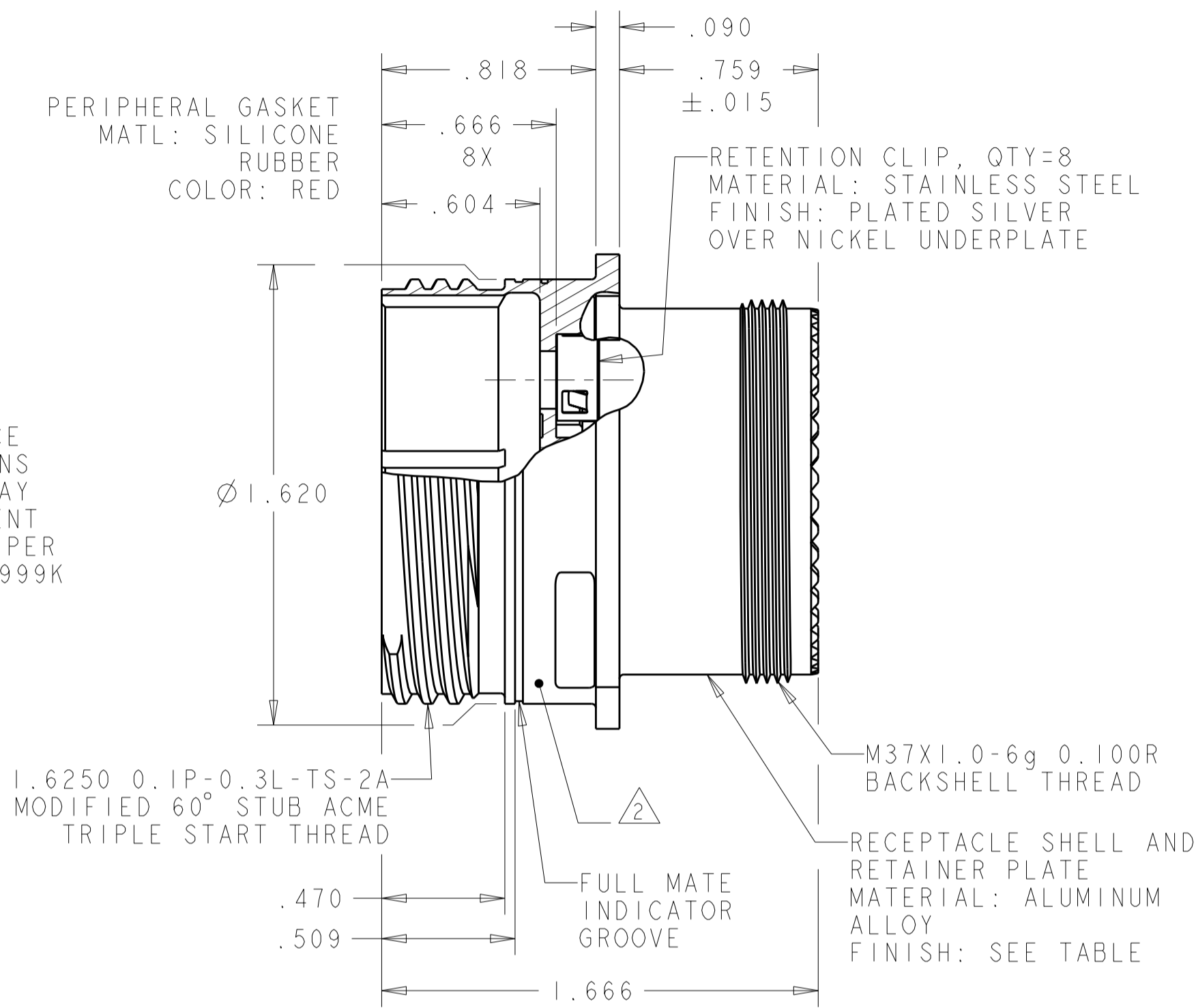
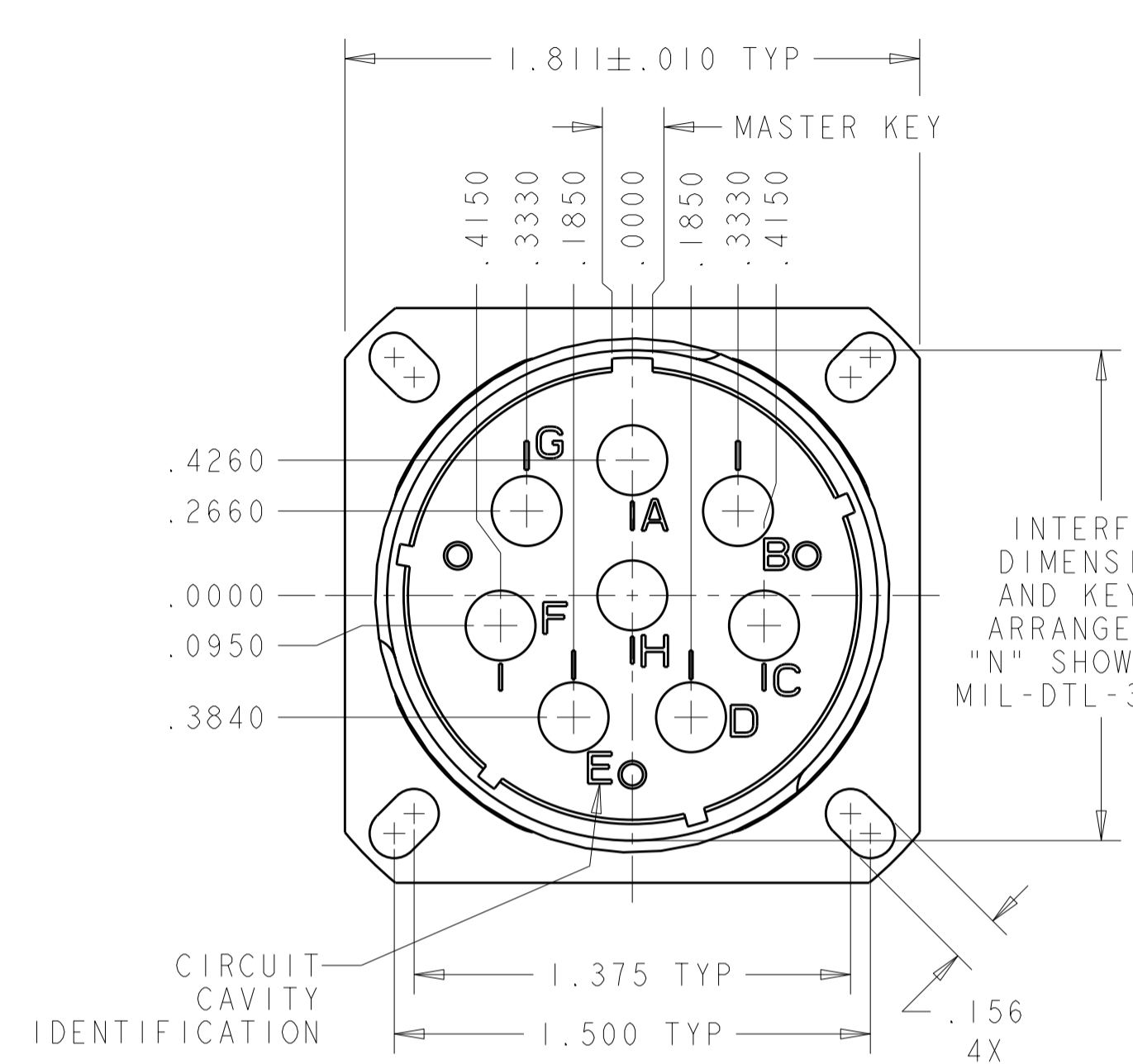


THIS DRAWING IS UNPUBLISHED. RELEASED FOR PUBLICATION 20
 © COPYRIGHT 20 BY TYCO ELECTRONICS CORPORATION. ALL RIGHTS RESERVED.

REVISIONS					
P	LTR	DESCRIPTION	DATE	DWN	APVD
F		REVISED PER ECO-08-029679	23DEC2008	SK	DM



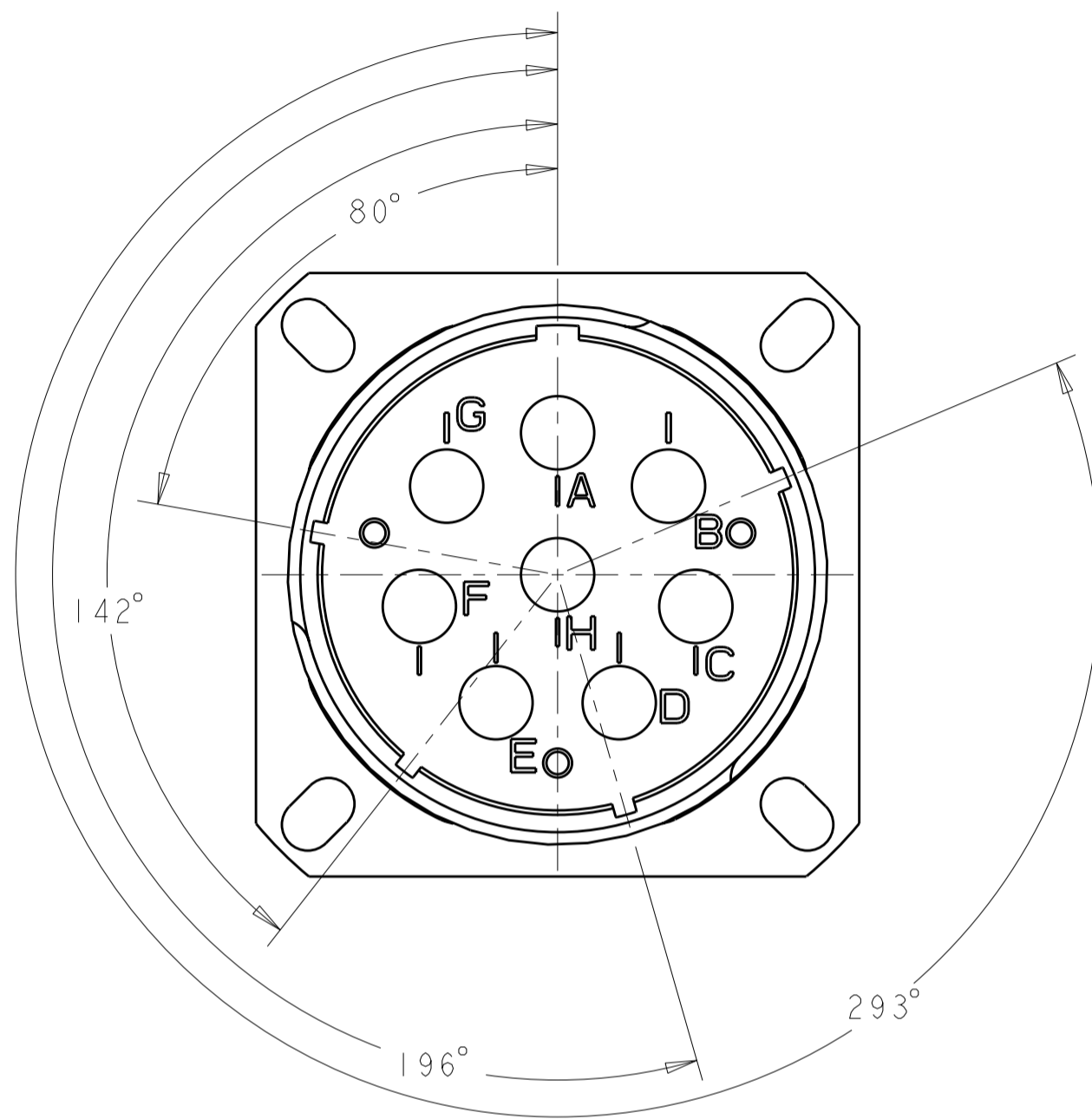
FINISH	QUADRAX CONTACT 1445692-3 QTY=8	SHELL KEYING ARRANGEMENT	PART NUMBER
OLIVE DRAB	SOLD SEPARATELY	B	1-1811927-5
OLIVE DRAB	SOLD SEPARATELY	A	1-1811927-4
OLIVE DRAB	SOLD SEPARATELY	N	1-1811927-3
OLIVE DRAB	PROVIDED UN-ASSEMBLED	B	1-1811927-2
OLIVE DRAB	PROVIDED UN-ASSEMBLED	A	1-1811927-1
OLIVE DRAB	PROVIDED UN-ASSEMBLED	N	1-1811927-0
NICKEL	SOLD SEPARATELY	B	1811927-9
NICKEL	SOLD SEPARATELY	A	1811927-8
NICKEL	SOLD SEPARATELY	N	1811927-7
NICKEL	PROVIDED UN-ASSEMBLED	B	1811927-3
NICKEL	PROVIDED UN-ASSEMBLED	A	1811927-2
NICKEL	PROVIDED UN-ASSEMBLED	N	1811927-1

- 1, -2, -3, -10, -11 AND -12 CONNECTOR KIT INCLUDES TYCO ELECTRONICS QUADRAX PIN ASSEMBLY; PART NUMBER 1445692-3. QTY = 8 PER KIT.
- PART IS MARKED WITH TYCO ELECTRONICS PART NO. (SEE TABLE), TYCO ELECTRONICS LOGO OR TE. AND DATE CODE.
- OPERATING TEMPERATURE RANGE: -65°C TO +125°C (-85°F TO +257°F).
- THE CONNECTOR QUALIFICATION WAS COMPLETED PER TYCO ELECTRONICS 108-2199. THE QUADRAX CONTACTS ARE QUALIFIED PER TYCO ELECTRONICS 108-2131. THE REFERENCE TEST REPORTS ARE TYCO ELECTRONICS 501-660 FOR THE CONNECTOR AND 501-574 FOR THE CONTACTS WHICH ARE SAME AS ARINC 600-13, DRAFT 2 OF SUPPLEMENT 14 (AIR TRANSPORT AVIONICS EQUIPMENT INTERFACES).

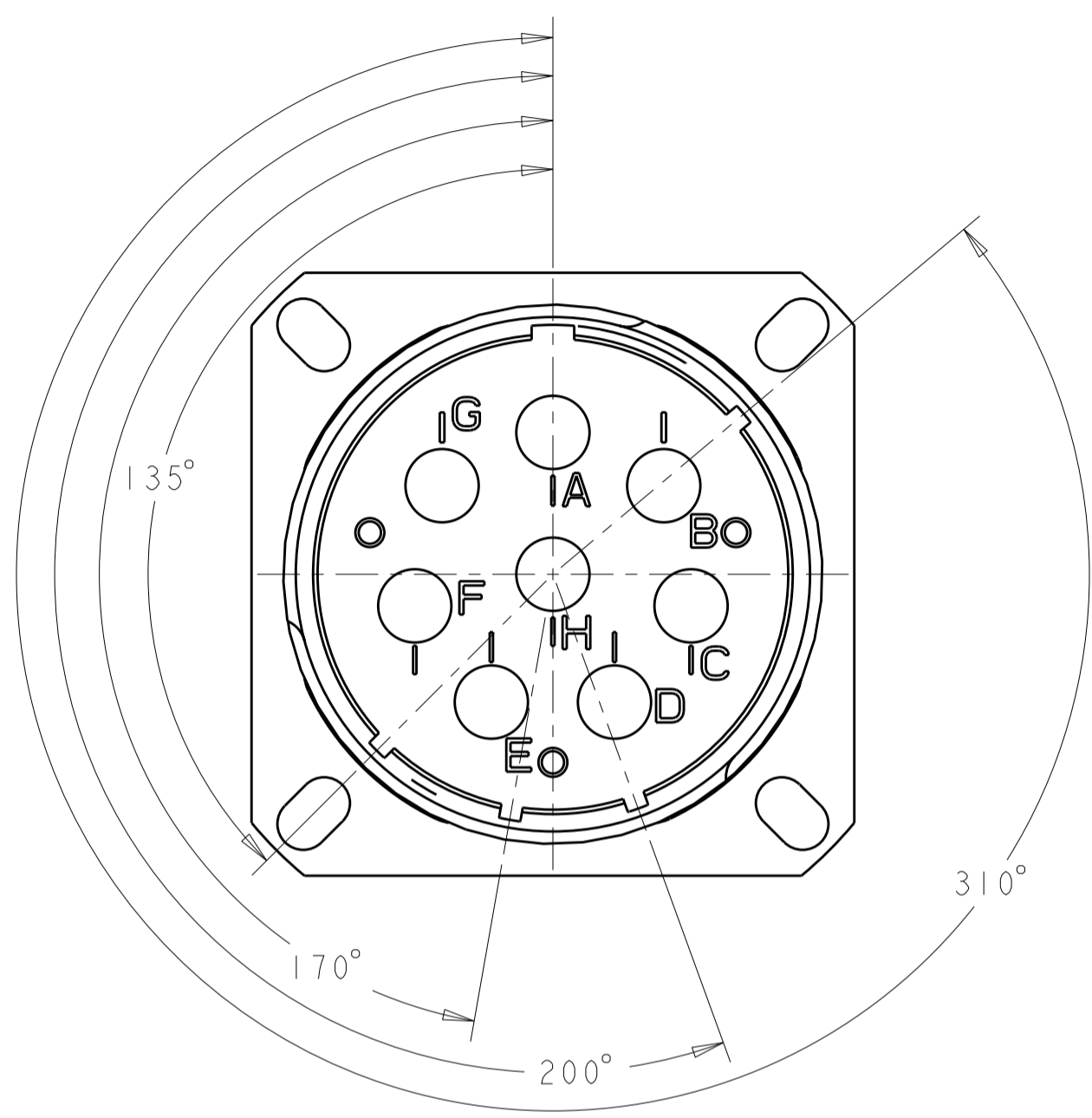
THIS DRAWING IS A CONTROLLED DOCUMENT FOR TYCO ELECTRONICS CORPORATION IT IS SUBJECT TO CHANGE AND THE CONTROLLING ENGINEERING ORGANIZATION SHOULD BE CONTACTED FOR THE LATEST REVISION.		DWN Brent D. Yohn 05APR2005 CHK L.S.OH 05APR2005 APVD L.S.OH 05APR2005	tyco Electronics Tyco Electronics Harrisburg, PA 17105-3608
DIMENSIONS: IN	TOLERANCES UNLESS OTHERWISE SPECIFIED: 0 PLC ±- 1 PLC ±.1 2 PLC ±.01 3 PLC ±.005 4 PLC ±.0020 ANGLES ±- FINISH	PRODUCT SPEC - APPLICATION SPEC - WEIGHT -	NAME ASSY., RECEPTACLE, SIZE 25,808, M38999 STYLE SIZE A200779 CAGE CODE C-1811927 DRAWING NO 1811927 RESTRICTED TO -
MATERIAL -		CUSTOMER DRAWING	
		SCALE 2:1	SHEET 1 OF 2 REV F

THIS DRAWING IS UNPUBLISHED. RELEASED FOR PUBLICATION 20
 © COPYRIGHT 20 BY TYCO ELECTRONICS CORPORATION. ALL RIGHTS RESERVED.

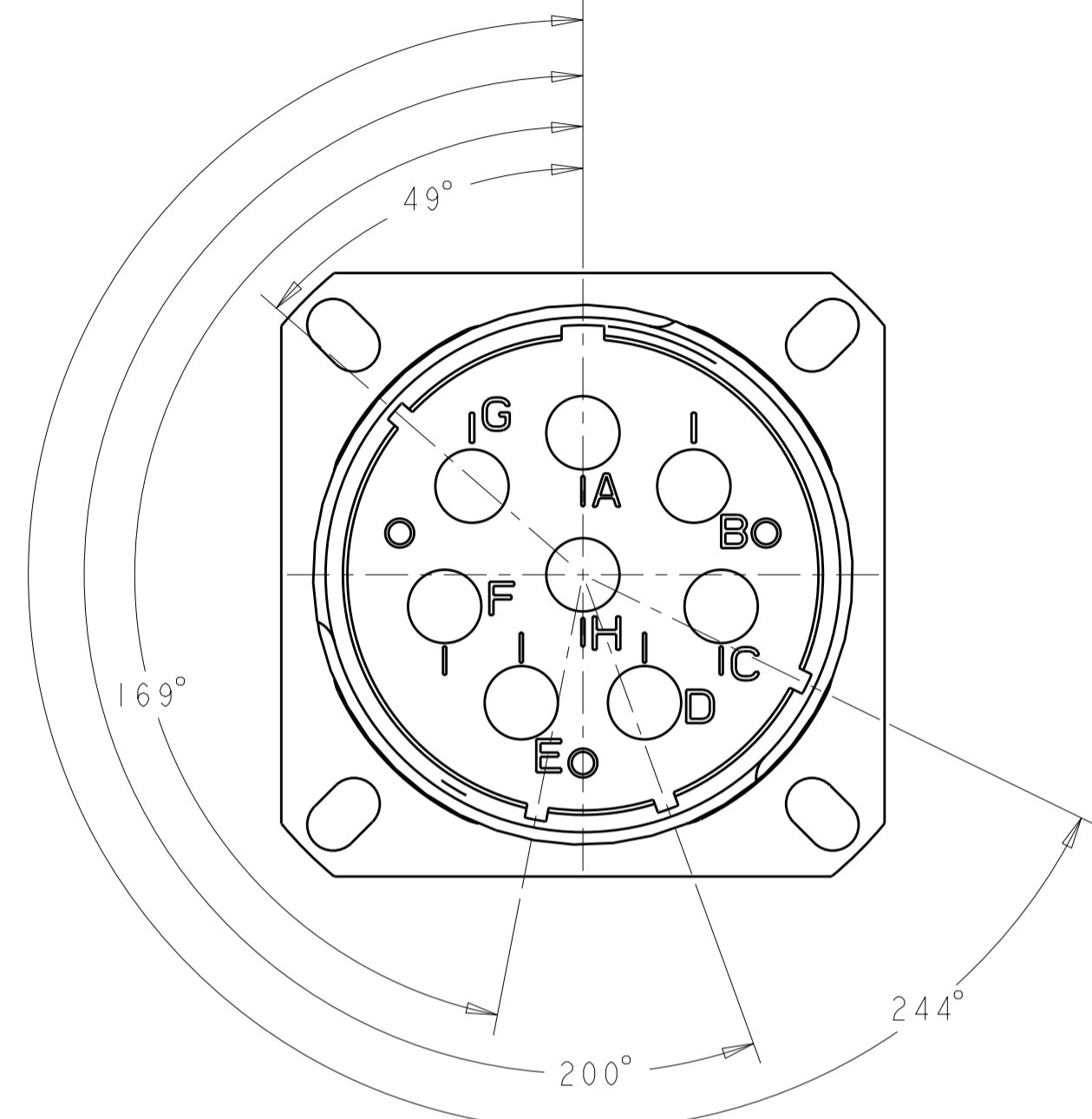
LOC	DIST	REVISIONS					
DF	A5	P	LTR	DESCRIPTION	DATE	DWN	APVD
		-		SEE SHEET 1			



1811927-1
 "N" KEY POLARIZATION



1811927-2
 "A" KEY POLARIZATION



1811927-3
 "B" KEY POLARIZATION

<small>THIS DRAWING IS A CONTROLLED DOCUMENT FOR TYCO ELECTRONICS CORPORATION IT IS SUBJECT TO CHANGE AND THE CONTROLLING ENGINEERING ORGANIZATION SHOULD BE CONTACTED FOR THE LATEST REVISION.</small>		DWN 05APR2005 Brent D. Yohn CHK 05APR2005 L.S.OH APVD 05APR2005 L.S.OH	tyco Electronics Tyco Electronics Harrisburg, PA 17105-3608
DIMENSIONS: IN 	TOLERANCES UNLESS OTHERWISE SPECIFIED: 0 PLC ±. 1 PLC ±.01 2 PLC ±.01 3 PLC ±.005 4 PLC ±.0020 ANGLES ±. FINISH	PRODUCT SPEC APPLICATION SPEC WEIGHT CUSTOMER DRAWING	NAME ASSY., RECEPTACLE, SIZE 25,808, M38999 STYLE SIZE CAGE CODE DRAWING NO RESTRICTED TO A200779 C-1811927 - SCALE 2:1 SHEET 2 OF 2 REV F