

THIS DRAWING IS UNPUBLISHED-

RELEASED FOR PUBLICATION

2002

LOC

DIST

REVISIONS

© COPYRIGHT 2002 Tyco Electronics AMP GmbH

ALL RIGHTS RESERVED.

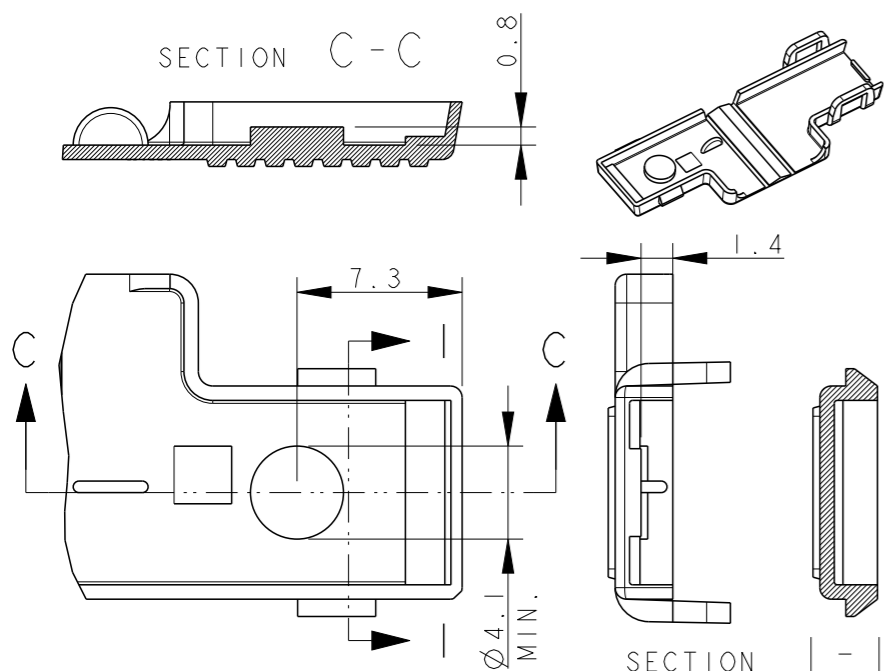
IR

-

P	LTR	DESCRIPTION	DATE	DWN	APVD
AZ4		REVISED PER ECO-11-005140	31MAR11	RK	HMR
AZ5		ECR-11-018349	05SEP2011	PKS	RRP
AZ6		REVISED PER ECN-22-146302	29MAR2022	WLS	ZC
AZ7		REVISED PER ECR-23-168067	21JUN2023	GK	RE

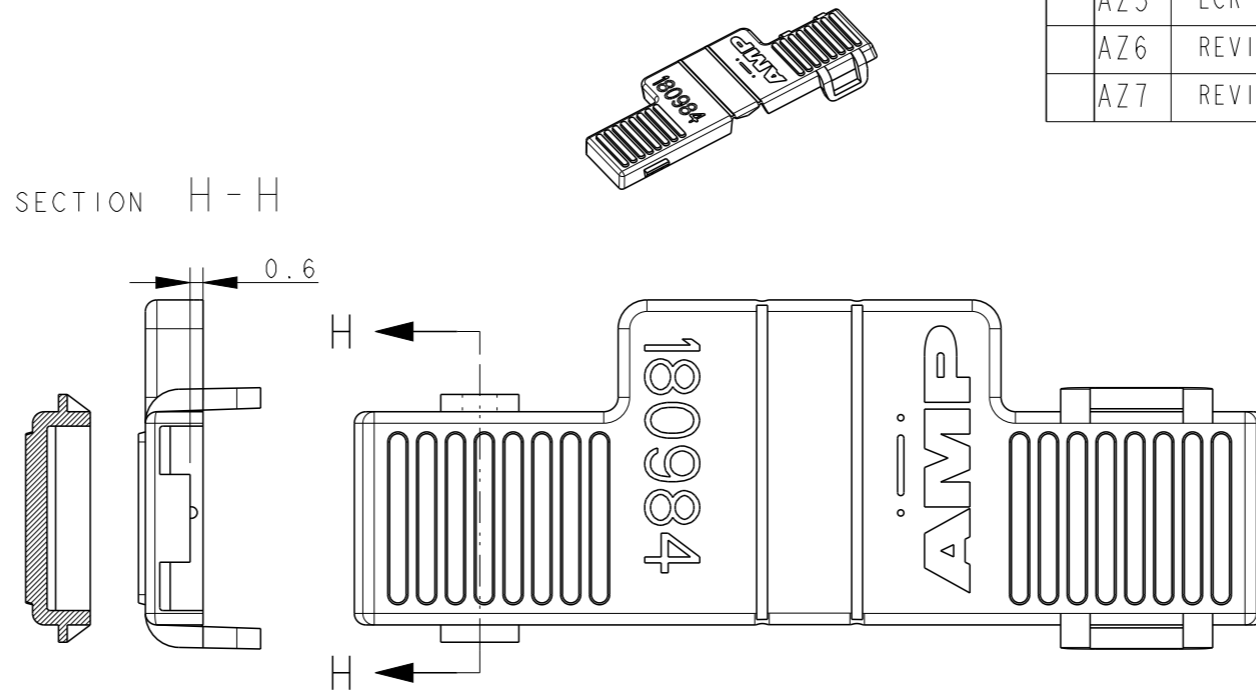
TE AMP DO BRASIL VARIATION

P/N.s INVOLVED:
 1-180984-0
 1-180984-1
 1-180984-2



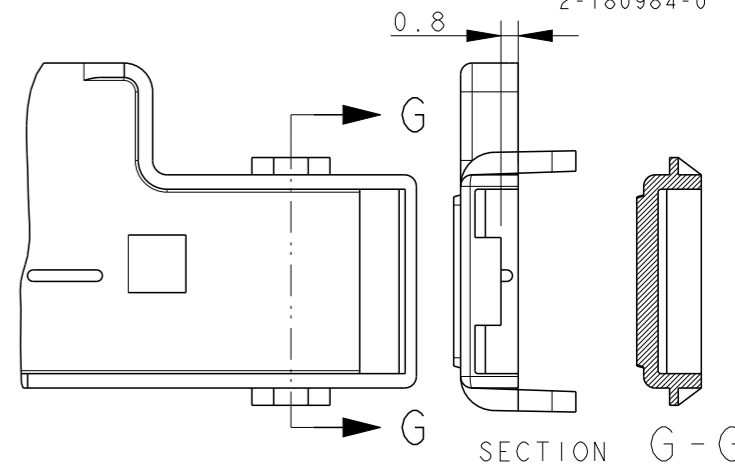
TE AMP SPAIN VARIATION

P/N.s INVOLVED:
 7-180984-0
 7-180984-5



TE AMP GERMANY VARIATION

P/N.s INVOLVED:
 0-180984-0
 0-180984-1
 0-180984-5
 2-180984-0



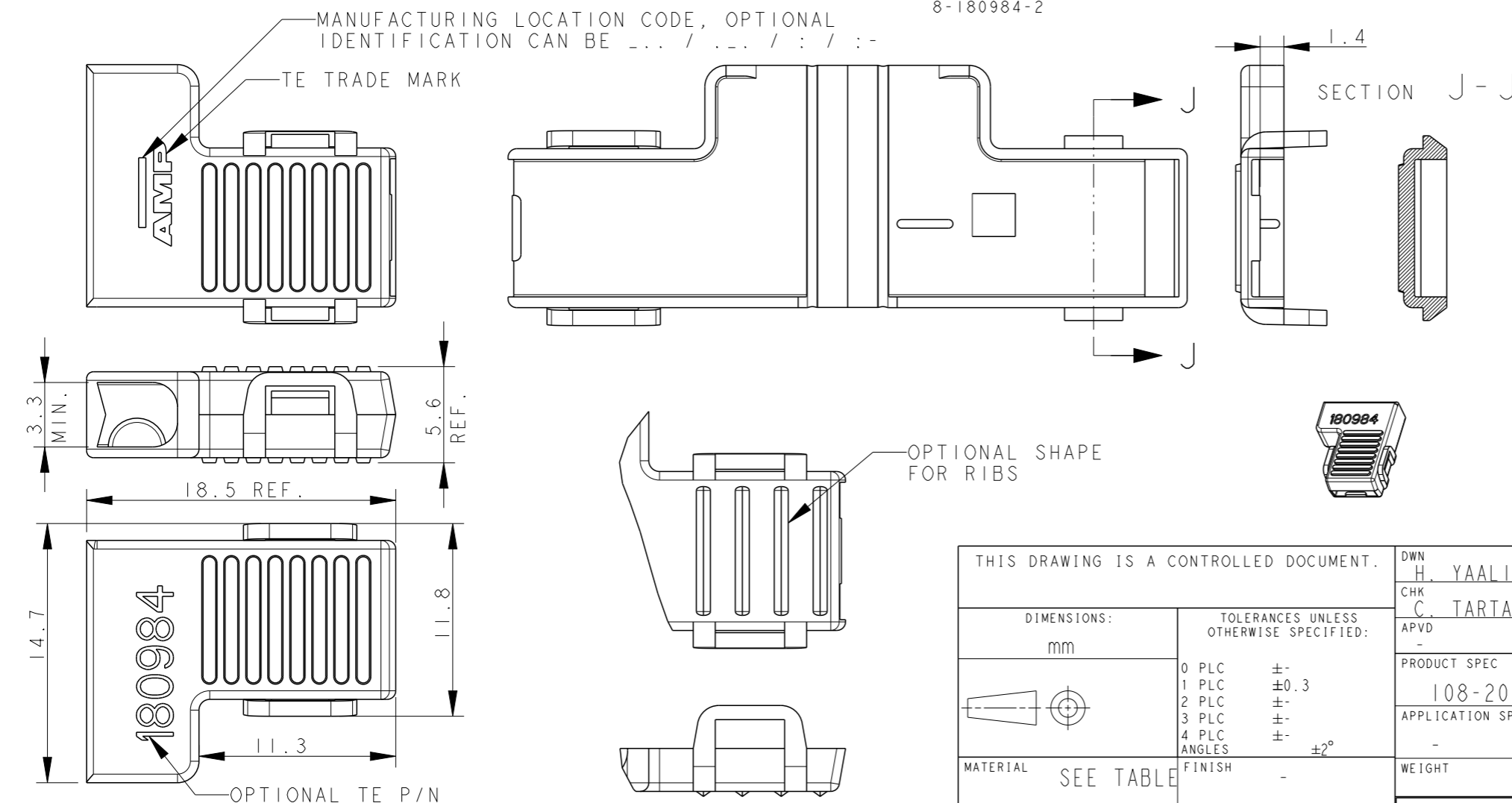
STANDARD VERSION AND TE AMP ITALY PRODUCTION

P/N INVOLVED:
 8-180984-0
 8-180984-1
 8-180984-2

1) ADATTO PER TERMINALI FEMMINA FLAG FASTON 6.3 mm sr.
 Es.: P/N.s 180464-..., 280050-..., 282181-..., 282184-...
 (SUITABLE FOR FLAG FASTON .250" sr., RECEPTACLE CONTACTS
 Ex.: P/N.s 180464-..., 280050-..., 282181-..., 282184-...)

2) CONDIZIONE DI FORNITURA (SUPPLY CONDITION)

3) PRODUCT IN ACCORDANCE TO IEC 60335-1 NORM.



3	COLORE (COLOUR)	MATERIALE (MATERIAL)	NUMERO (P/N)
	NATURALE (NATURAL)	PA 6 UNFILLED UL94-V2	8-180984-2
	NERO (BLACK)	PA 6.6 UL 94-V0	8-180984-1
	NATURALE (NATURAL)	PA 6.6 UNFILLED (UL 94-V2)	8-180984-0
	NERO (BLACK)	PA 6.6 UNFILLED (UL 94-V2)	7-180984-5
	NATURALE (NATURAL)	PA 6.6 UNFILLED (UL 94-V2)	7-180984-0
	NATURALE (NATURAL)	PA 6.6 UNFILLED (UL 94-V2)	2-180984-0
	NERO (BLACK)	PA 6.6 UNFILLED (UL 94-V2)	1-180984-2
	ROSSO (RED)	PA 6.6 UNFILLED (UL 94-V2)	1-180984-1
	NATURALE (NATURAL)	PA 6.6 UNFILLED (UL 94-V2)	1-180984-0
	NERO (BLACK)	PA 6.6 UNFILLED (UL 94-V2)	0-180984-5
	ROSSO (RED)	PA 6.6 UNFILLED (UL 94-V2)	0-180984-1
	NATURALE (NATURAL)	PA 6.6 UNFILLED (UL 94-V2)	0-180984-0

THIS DRAWING IS A CONTROLLED DOCUMENT.

DWN H. YAALI 18SEP2002
 CHK C. TARTARI
 APVD -

DIMENSIONS: mm
 TOLERANCES UNLESS OTHERWISE SPECIFIED:
 0 PLC ±
 1 PLC ±0.3
 2 PLC ±
 3 PLC ±
 4 PLC ±
 ANGLES ±2°
 MATERIAL SEE TABLE FINISH -

PRODUCT SPEC 108-20109
 APPLICATION SPEC -
 WEIGHT -

TE TE Connectivity
 NAME FLAG FASTON BOOT .250 SERIES
 SIZE A3 CAGE CODE 00779 DRAWING NO C-180984 RESTRICTED TO

CUSTOMER DRAWING SCALE 3:1 SHEET 1 OF 1 REV A Z7