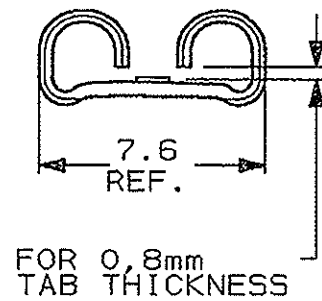
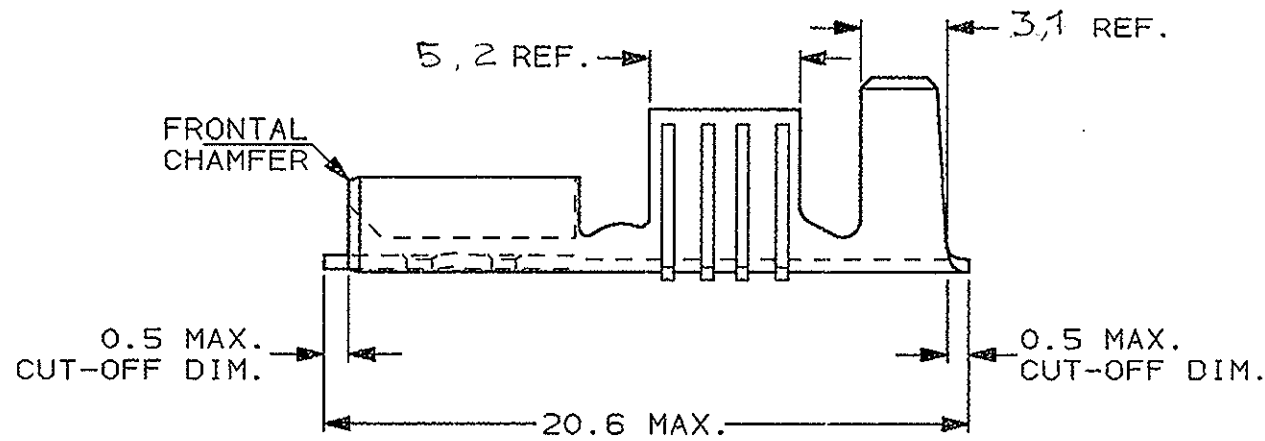
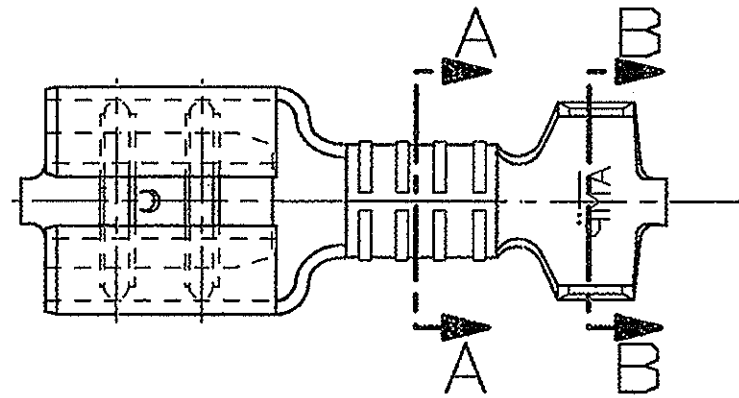


SCALA NON IMPEGNATIVA
(DO NOT SCALE)
DIMENSIONI IN mm
(DIMENSIONS IN mm)

METRIC

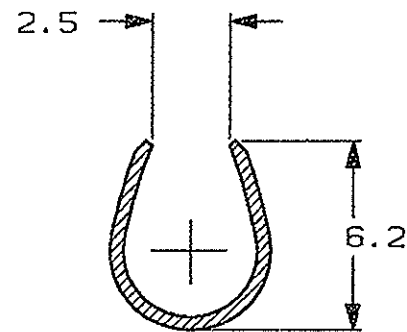
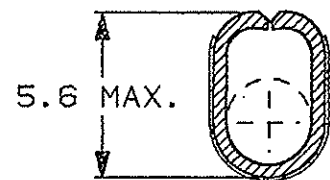
THIRD ANGLE
PROJECTION



- 1) PER LE VERSIONI A NASTRO VEDERE DISEGNO 180363.
(FOR STRIP FORM VERSION SEE DRAWING 180363).
- 2) CONFEZIONATO IN ACCORDO ALLA SPECIFICA AMP 107-20201.
(PACKAGE ACCORDING TO AMP SPEC. 107-20201).

SEZIONE A-A
SECTION A-A

SEZIONE B-B
SECTION B-B



STAGNATO (TIN PLATED)	OTTONE (BRASS)	0-180367-2	J
FINITURA / COLORE (FINISH / COLOUR)	MATERIALE (MATERIAL)	NUMERO (PART NUMBER)	REV

CUSTOMER DWG. FOR REFERENCE ONLY DISEGNO PER CLIENTE SOLO PER RIFERIMENTO

THIS DRAWING IS UNPUBLISHED RELEASE FOR PUBLICATION 19

© COPYRIGHT 19 BY AMP INCORPORATED, HARRISBURG, PA. ALL INTERNATIONAL RIGHT RESERVED. AMP PRODUCTS MAY BE COVERED BY U.S. AND FOREIGN PATENT AND/OR PATENT PENDING

TOLLERANZE, SE NON DIVERSAMENTE SPECIFICATO (TOLERANCES, UNLESS OTHERWISE SPECIFIED)	DIAM. ISOLANTE (INS. DIA. RANGE)	RANGO FILO (WIRE RANGE) mm2	SCALA (SCALE)
± 0.3	3.8-5.1	4.0-6.0	4:1

ANGOLI (ANGLES) ± 2°

AMP AMP ITALIA S.p.A.
Corso P.lli Corvi, 15
COLLEGNO (TORINO)

DIS. H. YAALI (DR.) 30 OCT 2000

DESCRIZIONE (DESCRIPTION) FASTON® Connector, .250" sr. REC. CONTACT (LOOSE PIECE VERSION)

CONT. C. TARTARI (CHK) 30 OCT 2000	LOC. SIZE NUMERO (DWG NO)	REV.	FOGLIO (SHEET)
	I A3 C-180367	J1	01 (OP) 1

J1	UPDATED		
J	FIRST EMISSION ETOO-0198-01	H. Y.	27 JUL 2001
REV.	REVISIONI (REVISION RECORD)	DIS. DATA (DR) (DATE)	APP. (APP.)

DISTRIBUZIONE (PRINT/DIST.)