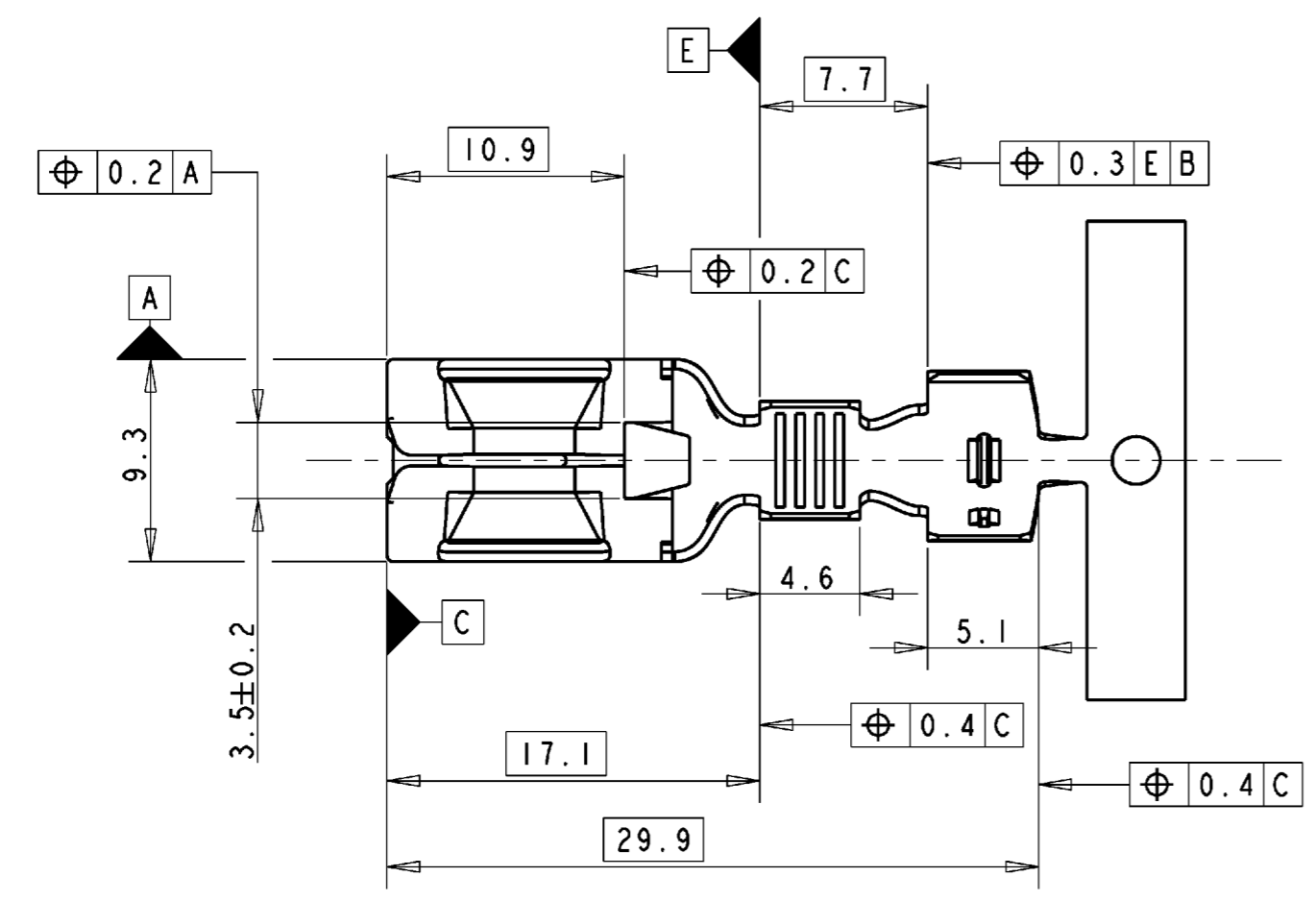
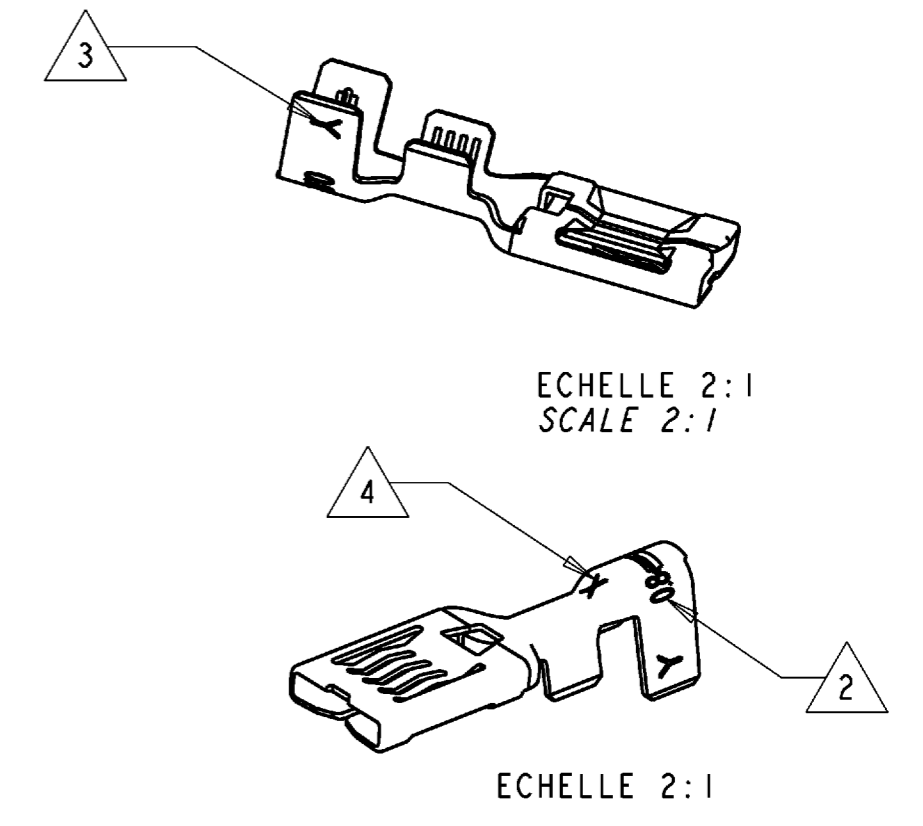
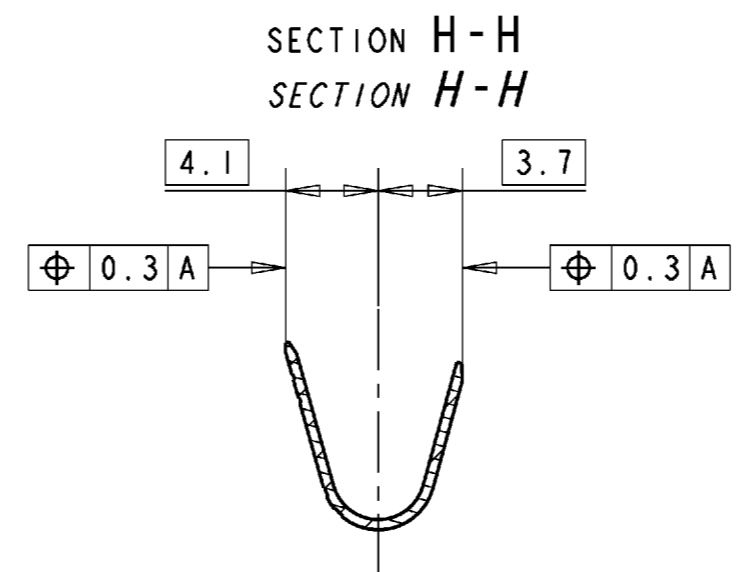
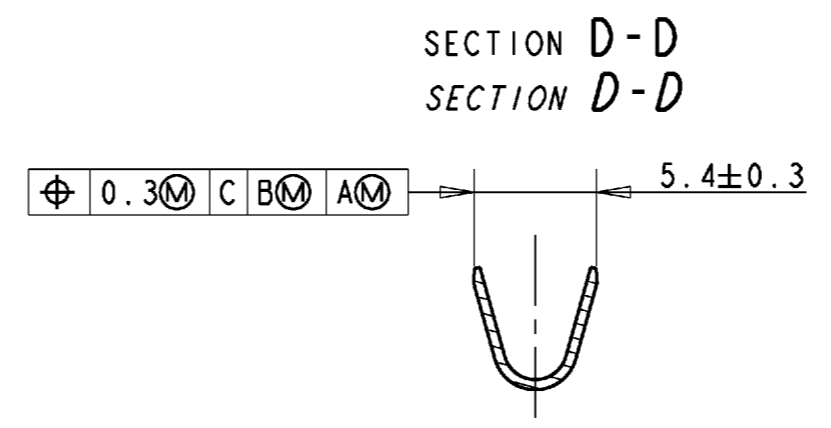
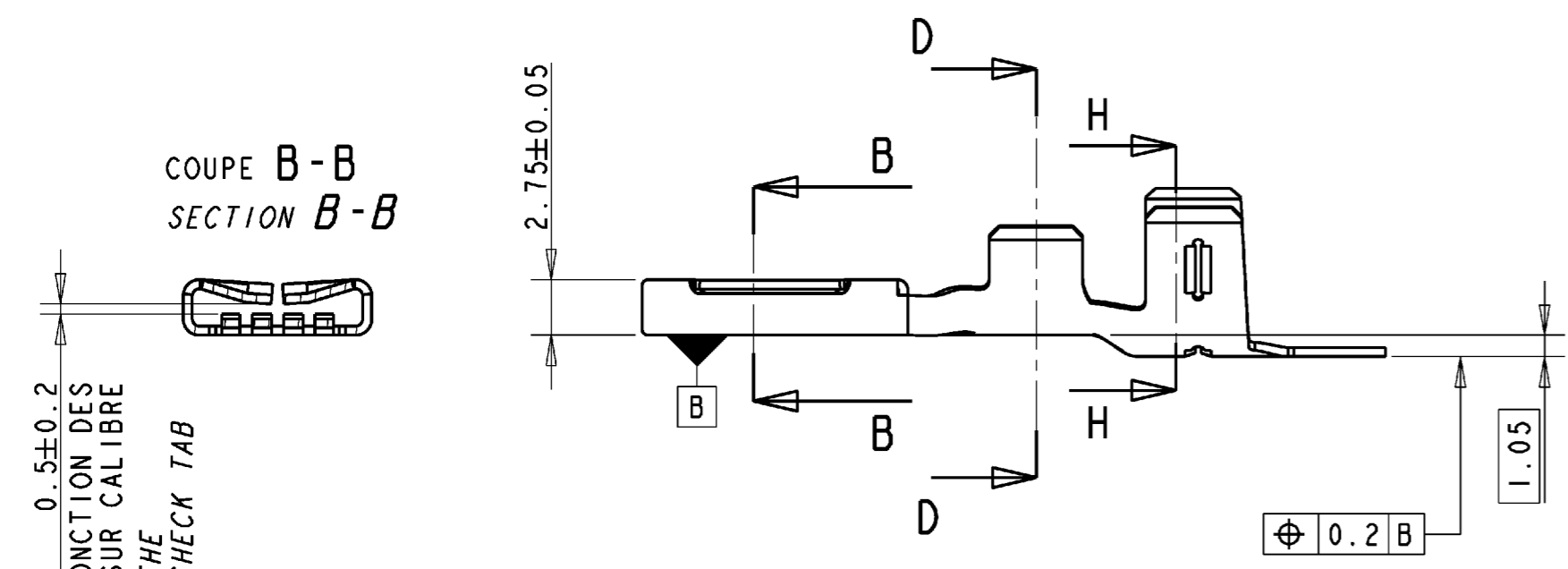
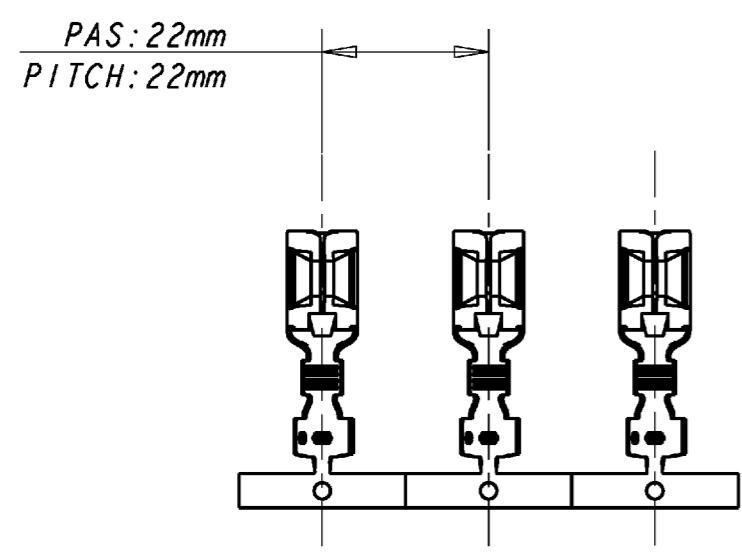


THIS DRAWING IS UNPUBLISHED. RELEASED FOR PUBLICATION 2008  
 © COPYRIGHT 2008 BY TYCO ELECTRONICS CORPORATION. ALL RIGHTS RESERVED.

LOC		DIST		REVISIONS			
P	LTR	DESCRIPTION	DATE	DWN	APVD		
F	00	A	FIRST ISSUE	02MAY2008	FSt	JDr	



NOTE	NOTE
1 CONDITIONNEMENT : VOIR SPECIFICATION 107-15602	PACKAGING : SEE SPECIFICATION 107-15602
2 MARQUAGE "0.8" POUR CLIP AVEC ENTREFER REGLE POUR UTILISATION SUR LANGUETTE D'EPaisseur 0.8mm.	"0.8" MARKING FOR RECEPTACLE CONTACT WITH GAP SET FOR USE WITH 0.8mm THICK TAB
3 MARQUAGE MATIERE VOIR TABLEAU DES REFERENCES	MATERIAL MARKING SEE PART NUMBER TABLE
4 MARQUAGE GAMME: "A" POUR GAMME 2.5-4mm2	RANGE MARKING: "A" FOR RANGE 2.5-4mm2
5 PLAN D'INTERMONTABILITE: 1544953	INTERFACE CAVITY DRAWING: 1544953



ECHELLE 1:1 SCALE 1:1

1801431-1	CLIP 8mm MAXIFUSE PLUS G: 2.5-4mm2 8mm MAXIFUSE PLUS RECEPTACLE CONTACT- WIRE RANGE: 2.5-4mm2	CuNiSi CuNiSi	"S"	PRE-ETAME SnAg(1-3%): 1-3µm PRE-TINNED SnAg(1-3%): 1-3µm
REF TYCO ELECTRONICS TYCO ELECTRONICS PN	DESIGNATION DESCRIPTION	MATIERE MATERIAL	MARQUAGE MATIERE MATERIAL MARKING	TRAITEMENT DE SURFACE PLATING

THIS DRAWING IS A CONTROLLED DOCUMENT FOR TYCO ELECTRONICS CORPORATION IT IS SUBJECT TO CHANGE AND THE CONTROLLING ENGINEERING ORGANIZATION SHOULD BE CONTACTED FOR THE LATEST REVISION.

DWN	F. SAPET	02MAY2008	Tyco Electronics France SAS RN 90, 38530 Chapareillan
CHK	P. FLORES	02MAY2008	
APVD	J. DAHER	02MAY2008	
PRODUCT SPEC	108-15392		
APPLICATION SPEC	114-15105		NAME <b>RECEPTACLE CONTACT, 8MM MAXIFUSE PLUS,          WIRE RANGE 2.5-4MM2          CLIP 8MM MAXIFUSE PLUS - G: 2.5-4 MM2</b>
MATERIAL	SEE TABLE	FINISH	SIZE CAGE CODE DRAWING NO RESTRICTED TO
WEIGHT	0.0023kg		A2 00779 C-1801431
CUSTOMER DRAWING		SCALE	SHEET 1 OF 1 REV A