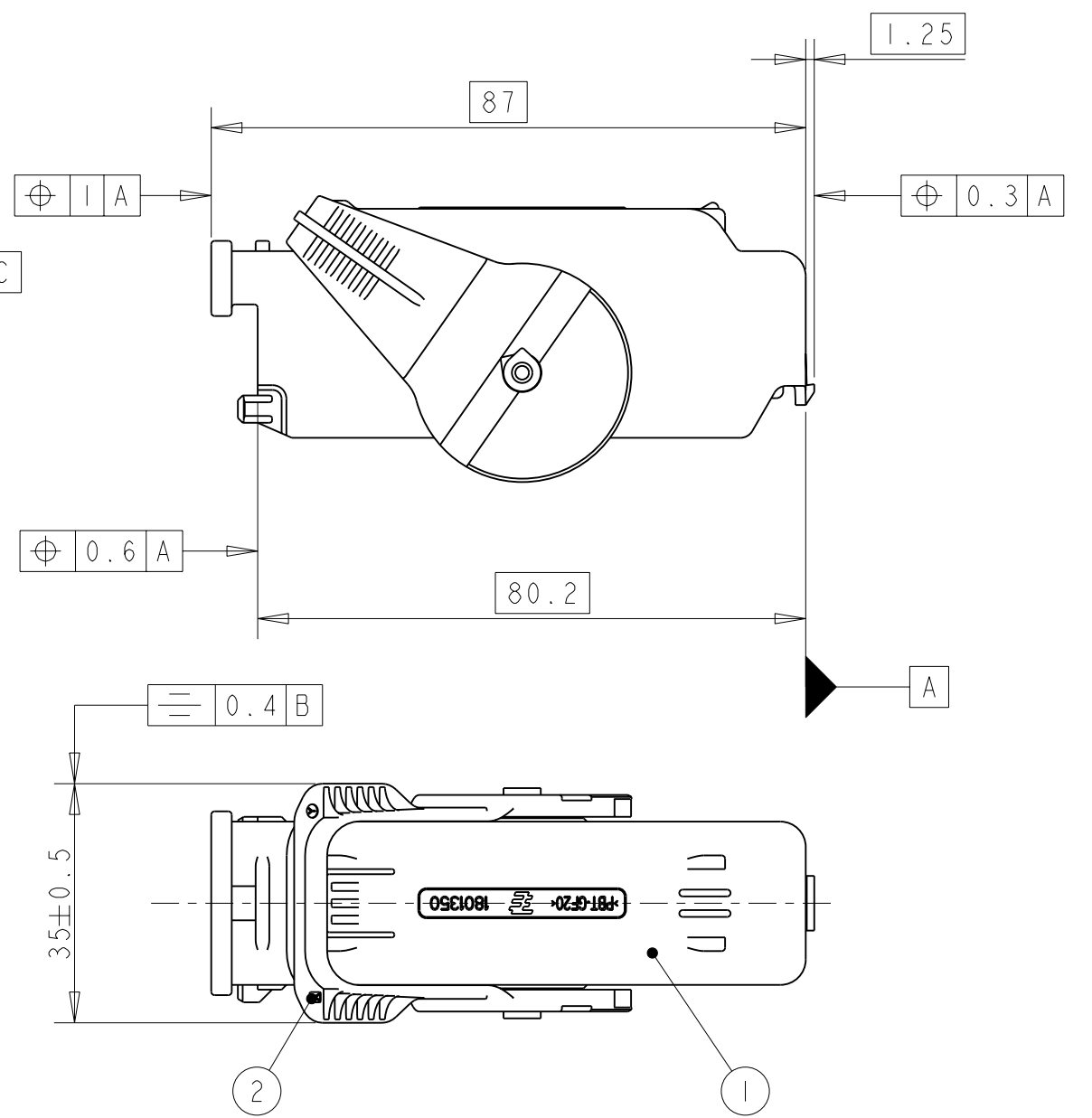
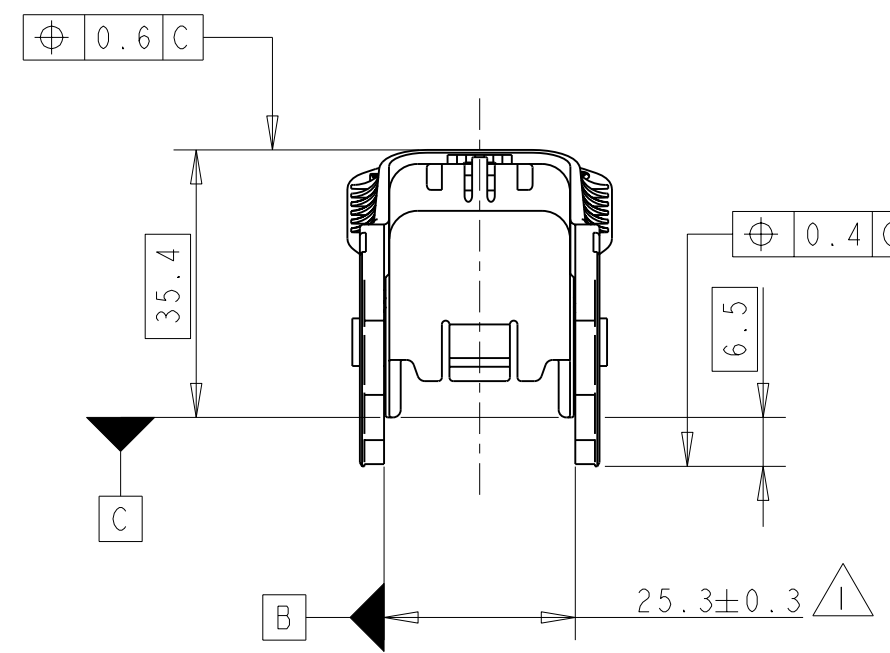
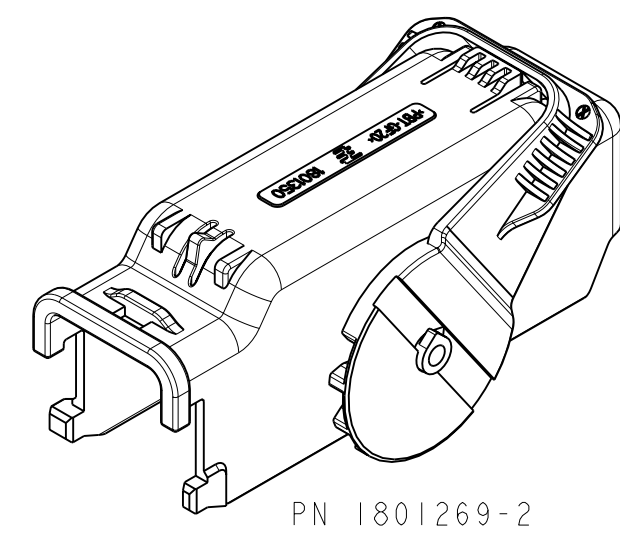
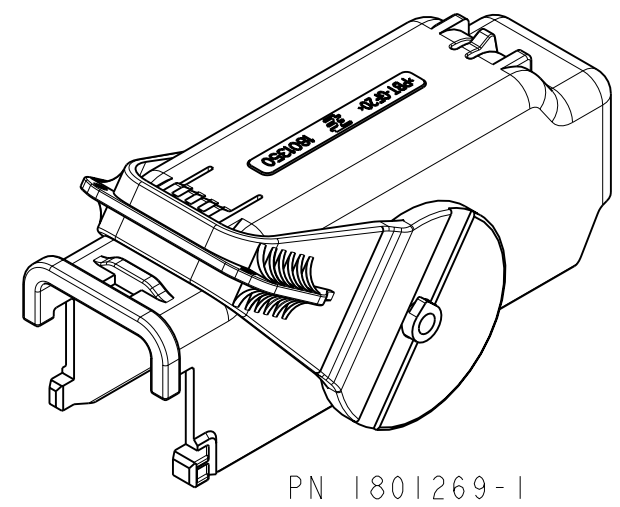


THIS DRAWING IS UNPUBLISHED. RELEASED FOR PUBLICATION 20
 © COPYRIGHT 20 BY TYCO ELECTRONICS CORPORATION. ALL RIGHTS RESERVED.

LOC	DIST	REVISIONS				
P	LTR	DESCRIPTION	DATE	DWN	APVD	
F	00	B	CHANGE COLOR OF COVER FOR PN 1801269-1	03JUL2008	PB	JPP
		C	DESIGN CHANGE TO IMPROVE THE CODING	17OCT2008	DB	JJR



△ WARPAGE ACCEPTED : -0.3mm
 (25.3 ^{+0.3} / _{-0.6})

QTY	QTY	COLOR	MATERIAL	DESIGNATION	ITEM
1	1	BROWN	PBT GF 20%	LEVER	2
1		BLACK	PBT GF 20%	COVER	1
	1	GREY	PBT GF 20%	COVER	1
1801269-X					
-2	-1				
C	C	PART REVISION CODE			

<small>THIS DRAWING IS A CONTROLLED DOCUMENT FOR TYCO ELECTRONICS CORPORATION IT IS SUBJECT TO CHANGE AND THE CONTROLLING ENGINEERING ORGANIZATION SHOULD BE CONTACTED FOR THE LATEST REVISION.</small>		DWN D. BANCE 15JAN2007 CHK JP. PICAUD 15JAN2007 APVD JJ. REVIL 15JAN2007		tyco TYCO ELECTRONICS FRANCE SAS Electronics BP 30039, CERGY-PONTOISE CEDEX	
DIMENSIONS: mm 		TOLERANCES UNLESS OTHERWISE SPECIFIED: 0 PLC ±0.2 1 PLC ±0.2 2 PLC ±0.2 3 PLC ±0.2 4 PLC ±0.2 ANGLES ±5°		NAME CAPOT 30 VOIES 30 WAY COVER ASSY	
MATERIAL SEE TABLE		FINISH -		PRODUCT SPEC - APPLICATION SPEC - WEIGHT 25grs	
CUSTOMER DRAWING		SCALE		SIZE A3 CAGE CODE 00779 DRAWING NO C-1801269 RESTRICTED TO - SHEET OF REV C	