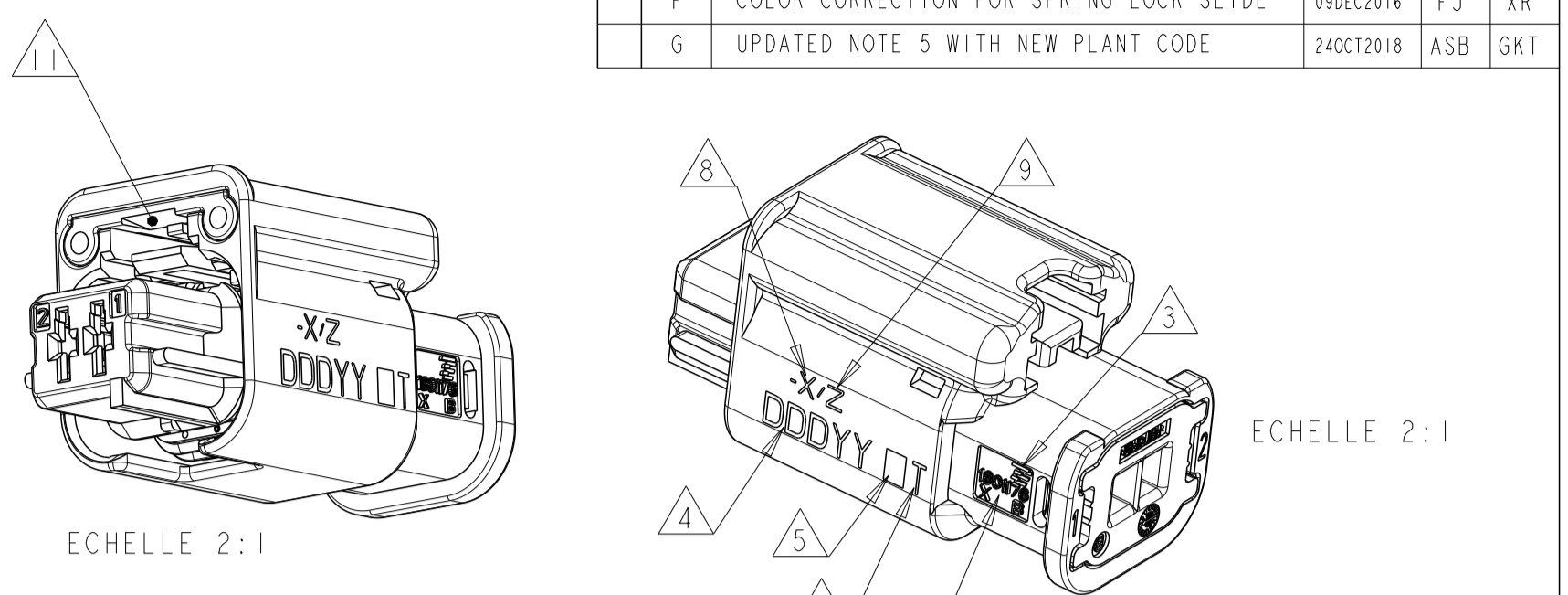
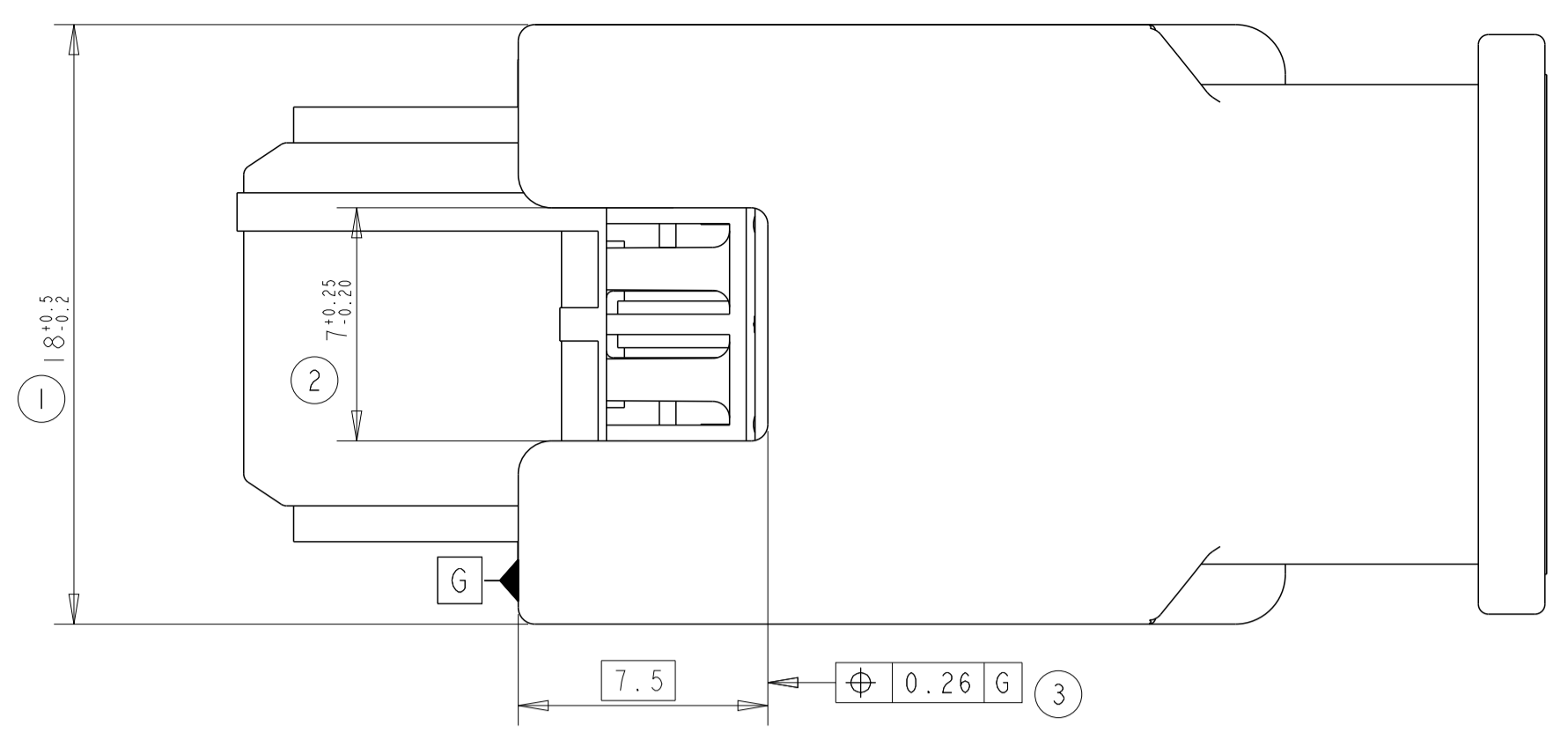
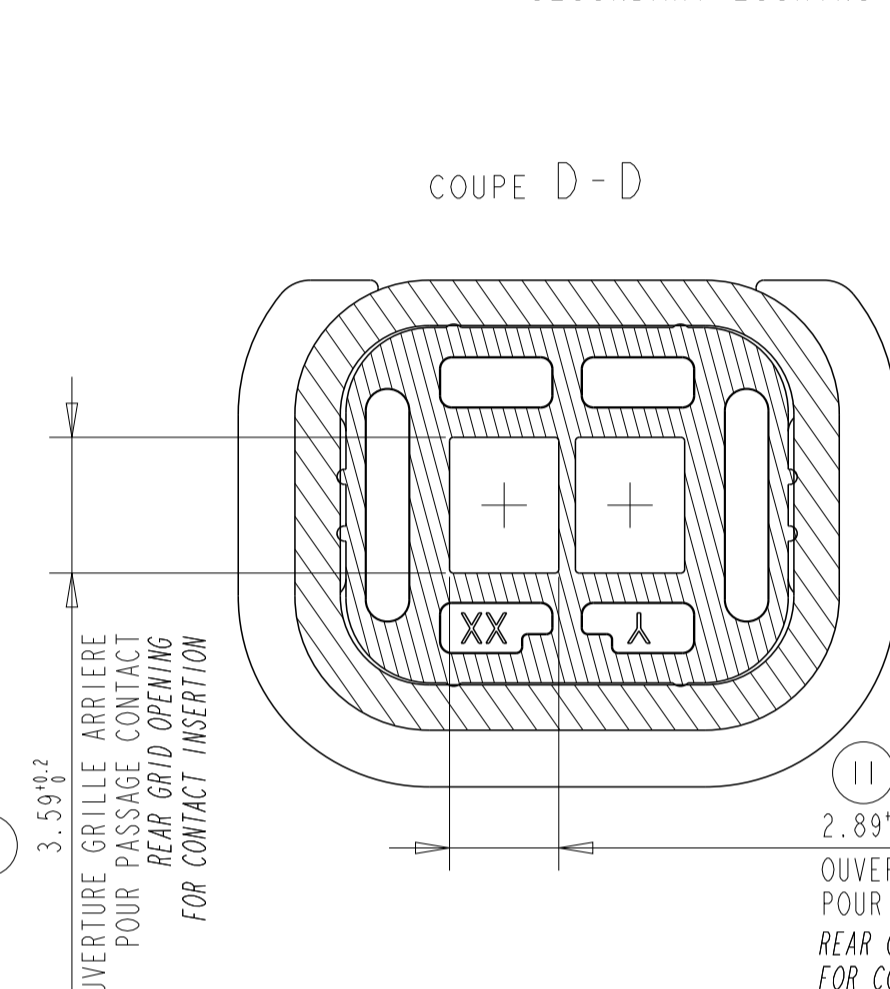
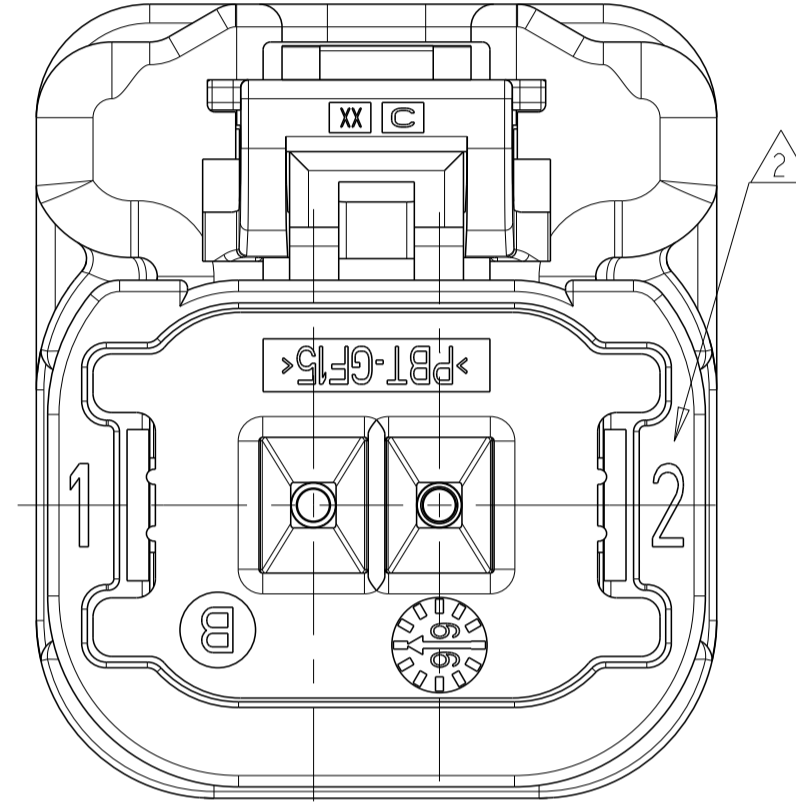


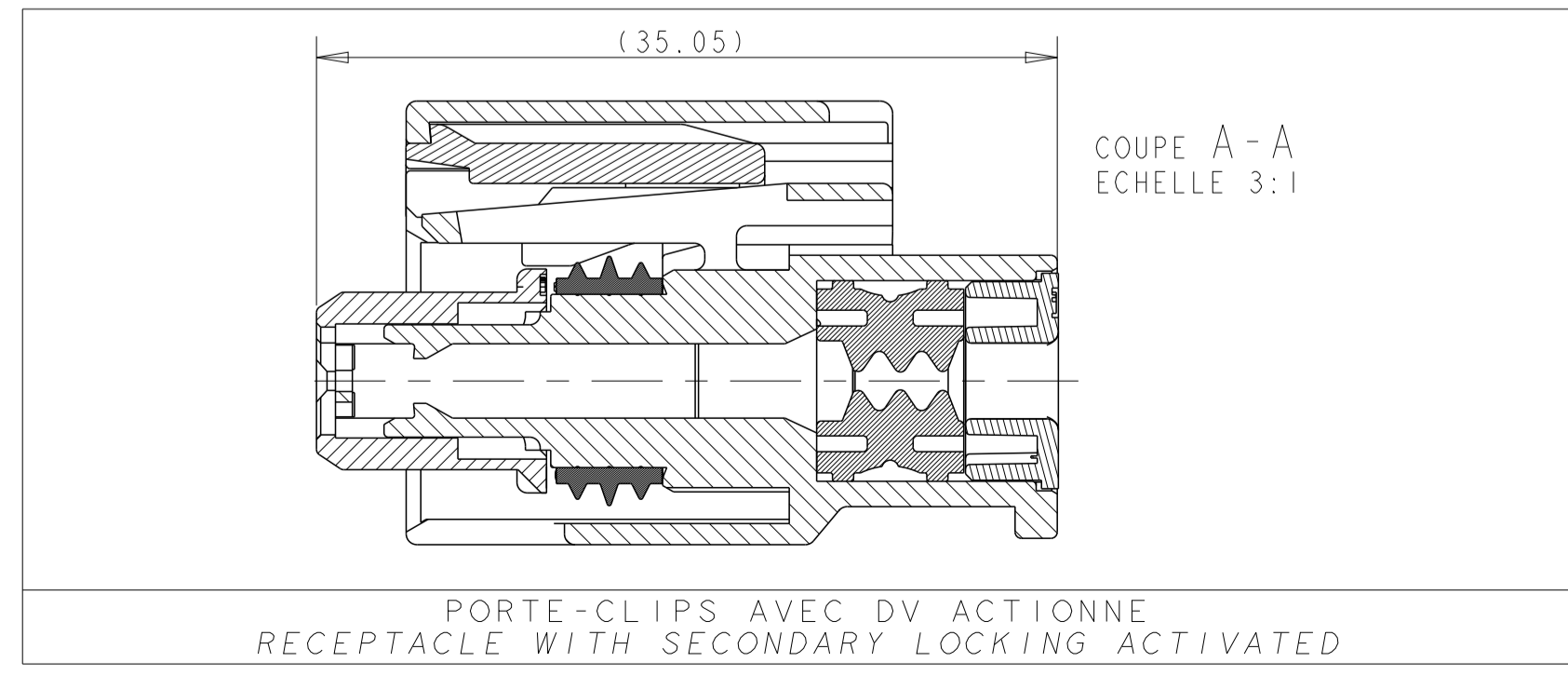
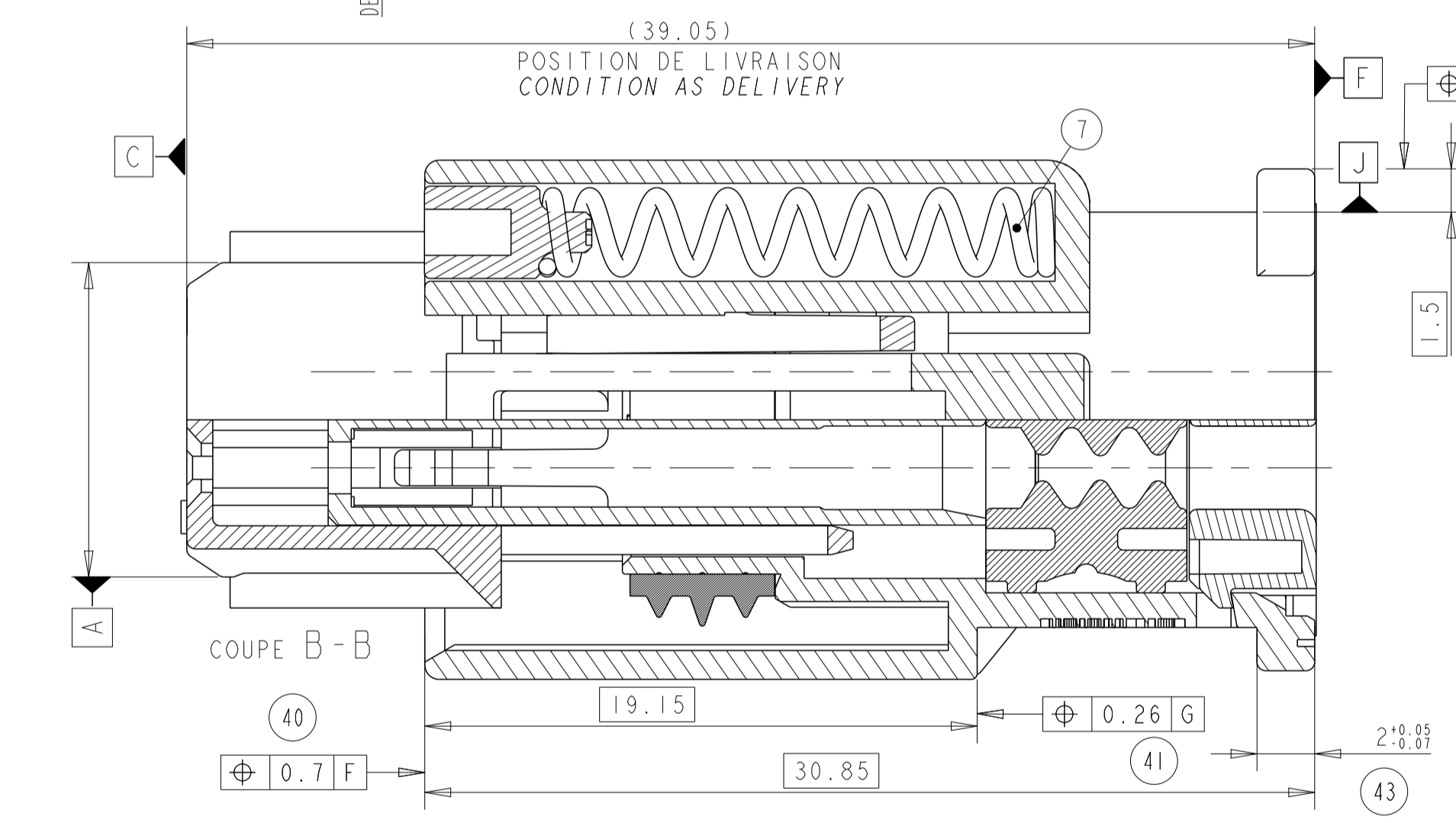
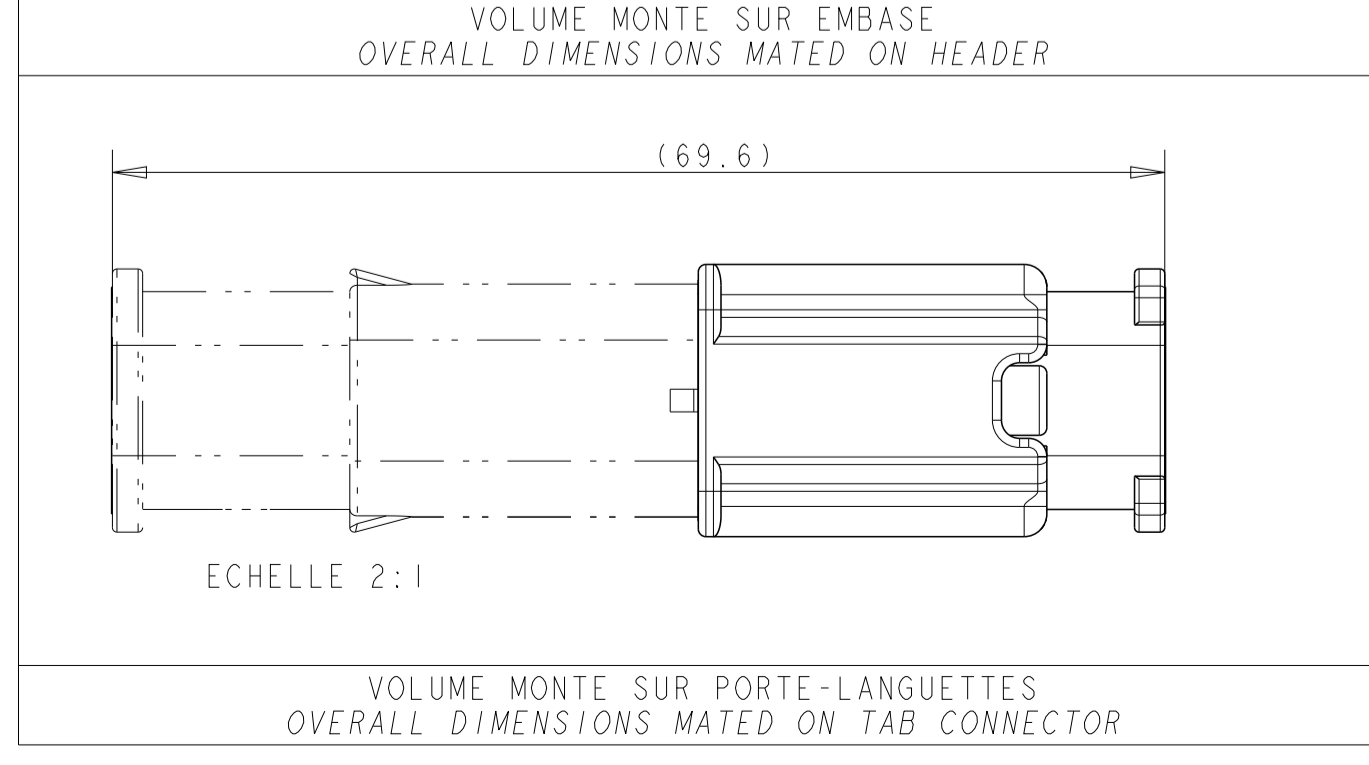
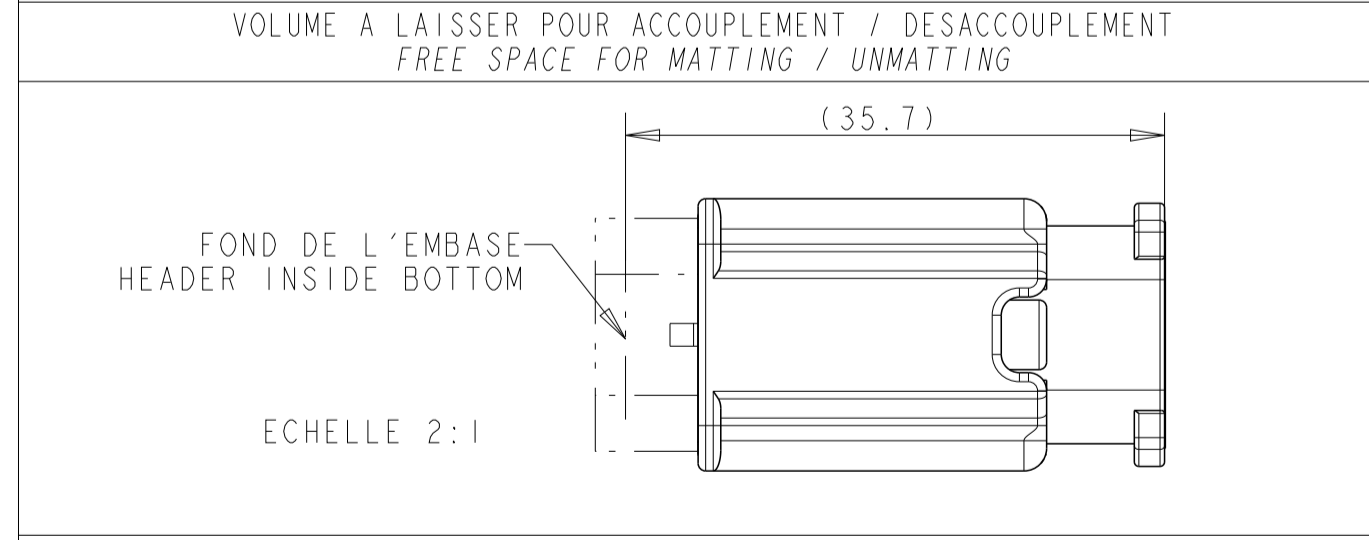
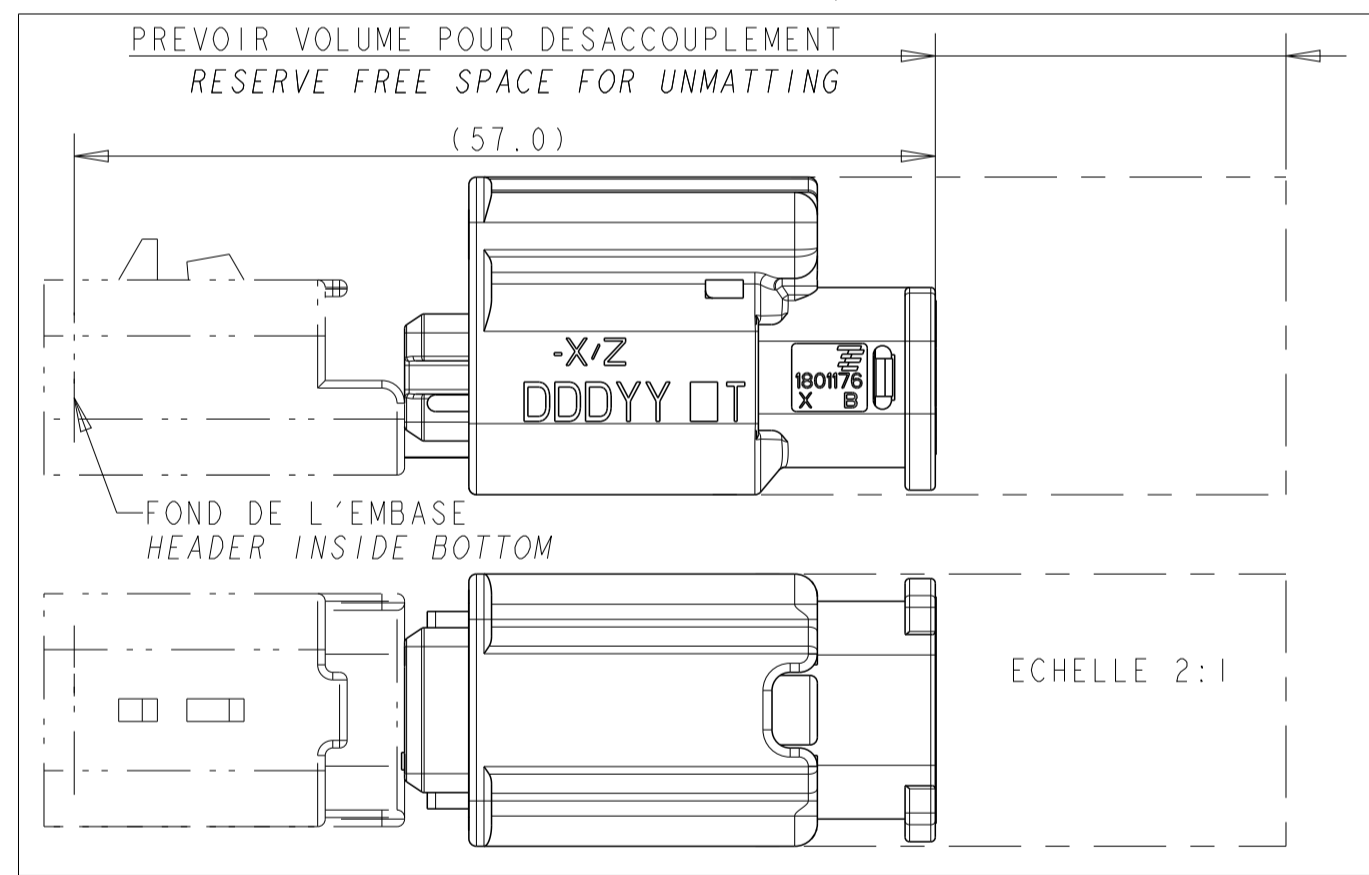
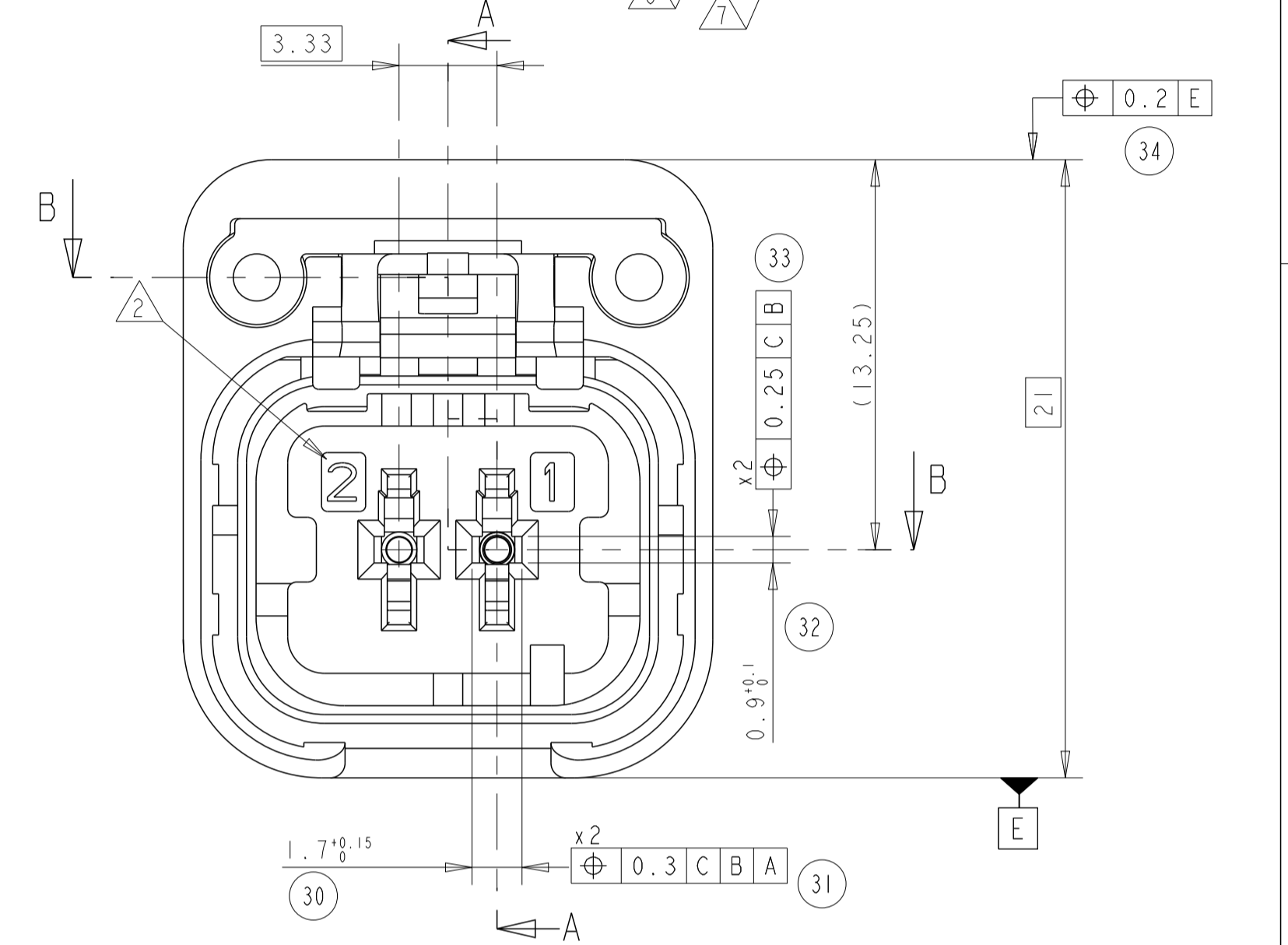
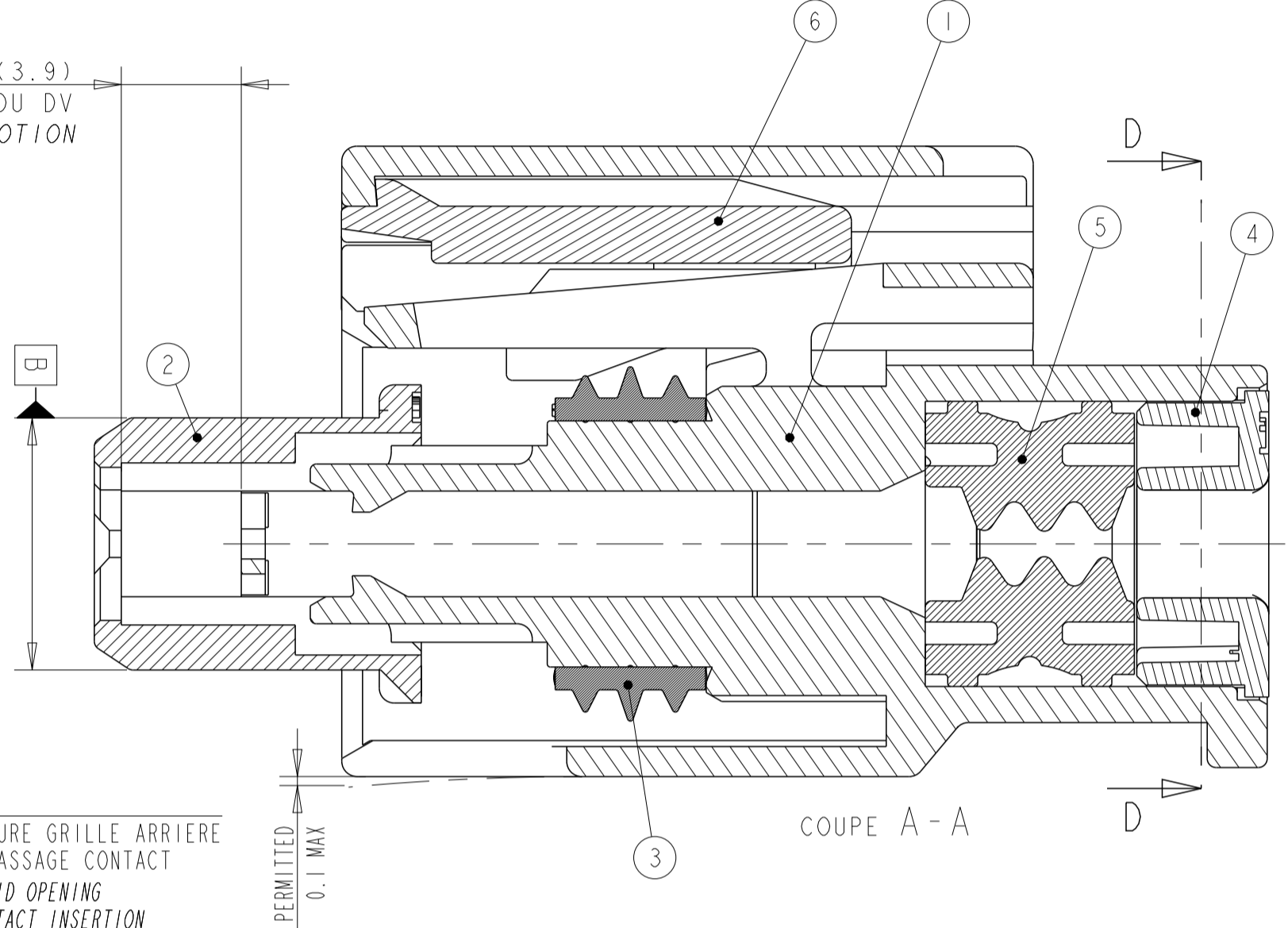
REF. TE NO.	INDICE DE REVISION PRODUIT / PRODUCT REVISION NUMBER	COULEUR / COLOR	TOLERANCE POUR DETROMPAGE: ±0.05 / KEYING TOLERANCE
1801176-1	C	NOIR / BLACK	ECHELLE 2:1 100 3.95
1801176-2	C	BLEU / BLUE	ECHELLE 2:1 110 2.6
1801176-3	C	GRIS / GREY	ECHELLE 2:1 120 1.25
1801176-4	C	JAUNE / YELLOW	ECHELLE 2:1 130 0.1
1801176-5	C	VERT / GREEN	ECHELLE 2:1 140 1.45
1801176-6	C	MARRON / BROWN	ECHELLE 2:1 150 2.8
1801176-7	C	BLANC / WHITE	ECHELLE 2:1 160 1.15
1801176-8	C	ROUGE / RED	ECHELLE 2:1 170 1.15
1801176-9	C	ORANGE / ORANGE	ECHELLE 2:1

- NOTES/NOTES:
- 1- 1801176-1 REPRESENTE (COD. NOIR) / AS SHOWN (COD. BLACK)
 - 2- REPERE ALVEOLES / CAVITY MARKING
 - 3- LOGO TE / TE LOGO
 - 4- DATE D'ASSEMBLAGE / ASSEMBLY DATE
 - 5- CODE DU LIEU D'ASSEMBLAGE / ASSEMBLY LOCATION DATE
 - E = EUROPE / EUROPE
 - C = CHINE / CHINA
 - M = MERCOSUR / MERCOSUR
 - 6- A = AFRIQUE / AFRICA
 - 6- NUMERO DE LA MACHINE D'ASSEMBLAGE / NUMBER ASSEMBLY LINE
 - 7- REF. TE DE L'ASSEMBLAGE (RACINE) / TE ASSEMBLY NO (RACINE)
 - 8- REF. TE DE L'ASSEMBLAGE (SUFFIXE) / TE ASSEMBLY NO (SUFFIX)
 - 9- INDICE DE REVISION PRODUIT / PRODUCT REVISION NUMBER
 - 10- PIECES A UTILISER AVEC VOIR TABLEAU "COMPOSANTS ASSOCIES" / MATED WITH : SEE TABLE "ASSOCIATED PARTS"
 - 11- FORME OPTIONNELLE / OPTIONAL SHAPE



LOC	DIST	REV	DATE	APPV
F	00	D	21NOV2011	FJ XR
		E	07NOV2013	FJ XR
		F	09DEC2016	FJ XR
		G	24OCT2018	ASB GKT

(3.9) COURSE DU DV / SECONDARY LOCKING MOTION



SECTION CABLE ADMISSIBLE PAR CONTACT / ACCEPTABLE CABLE SECTIONS PER CONTACT

La section des câbles utilisés doit être comprise entre 0,35 et 2mm² avec un diamètre d'isolant compris entre 1,40mm mini et 2,80mm Maxi (The cross-section of the cables used must be between 0,35 and 2mm² with insulator diameter included between 1,40mm mini and 2,80mm Maxi)

DESCRIPTION / TITLE	TE NO / REF. TE
CAPOT FIXE 2 VOIES - SORTIE GAUCHE/DROITE / FIXED COVER 2 WAYS - LEFT/RIGHT EXIT	1801466-1
CAPOT FIXE 2 VOIES - SORTIE HAUT/BAS / FIXED COVER 2 WAYS - UP/DOWN EXIT	1801466-2
CAPOT FIXE 2 VOIES - SORTIE AXIALE / FIXED COVER 2 WAYS - EXIT IN LINE	1801155-5
CAPOT ROTATIF 90 DEG. 2 VOIES / ROTATIVE COVER 90 DEG. 2 WAYS	1801356-1
CLIP 1.5 SENSOR 11 DORE Section 1.4 à 2mm ² / RECEPTACLE 1.5 SENSOR 11 GOLD PLATED Section 1.4 to 2mm ²	1670328-1
CLIP 1.5 SENSOR 11 DORE Section 0.75 à 1mm ² / RECEPTACLE 1.5 SENSOR 11 GOLD PLATED Section 0.75 to 1mm ²	1670326-1
CLIP 1.5 SENSOR 11 DORE Section 0.35 à 0.5mm ² / RECEPTACLE 1.5 SENSOR 11 GOLD PLATED Section 0.35 to 0.5mm ²	1564724-1
OBTURATEUR "MINI-ETANCHE" / "MINI-ETANCHE" PLUGGING PIN	
PORTE-LANGUETTES 2 VOIES HP / 2 WAYS TAB CONNECTOR HP	1801174-X

COULEUR / COLOR	MATIERE / MATERIAL	DESCRIPTION / TITLE	REP. ITEM
JAUNE / YELLOW	ACIER INOX / STAINLESS STEEL	RESSORT (x2) / SPRING (x2)	7
VERT / GREEN	PA66-GF30 (MATIERE: HB) / (HB MATERIAL)	CHARIOT SPRING-LOCK / SPRING-LOCK SLIDE	6
VERT / GREEN	SILICONE LUBRIFIE A SX ; DURETE 30 SHORE A / LUBRIFICATED SILICON TO SX ; DURETE 30 SHORE A	JOINT GROMMET / GROMMET SEAL	5
NOIR / BLACK	PBT-GF15 (MATIERE: HB) / (HB MATERIAL)	GRILLE ARRIERE / REAR GRID	4
VERT / GREEN	SILICONE LUBRIFIE A 4X ; DURETE 50 SHORE A / LUBRIFICATED SILICON TO 4X ; DURETE 50 SHORE A	JOINT INTERFACIAL / INTERFACE SEAL	3
NOIR / BLACK	PBT-GF15 (MATIERE: HB) / (HB MATERIAL)	DOUBLE VERROUILLAGE / COUAGE (VOIR TABLEAU DES REFS) / SECONDARY LOCKING / CODING (SEE TABLE OF PART NO)	2
NOIR / BLACK	PBT-GF15 (MATIERE: HB) / (HB MATERIAL)	BOTTIER PORTE-CLIPS / RECEPTACLE HOUSING	1

THIS DRAWING IS A CONTROLLED DOCUMENT.

OWN: F. JODON 11FEB2008
 CHK: X. ROULLIARD 15FEB2008
 APVD: X. ROULLIARD 15FEB2008

DIMENSIONS: mm

TOLERANCES UNLESS OTHERWISE SPECIFIED:

0 PLC	±
1 PLC	±0.2
2 PLC	±
3 PLC	±
4 PLC	±
ANGLES	±0.2°

MATERIAL: SEE TABLE / VOIR TABLEAU

FINISH: SEE TABLE / VOIR TABLEAU

WEIGHT: 7.4g

CUSTOMER DRAWING

NAME: 2 WAYS RECEPTACLE CONNECTOR SL / PORTE-CLIPS 2 Voies SL / SYSTEME A RESSORT

SIZE: A1 / CAGE CODE: 100779 / DRAWING NO: 1801176

RESTRICTED TO: -

SCALE: 5:1 / SHEET: 1 OF 1 / REV: G