

P	LTR	DESCRIPTION	DATE	DWN	APVD
C4		REVISED PER ECR-23-186814	20SEP2023	M.G	D.Z

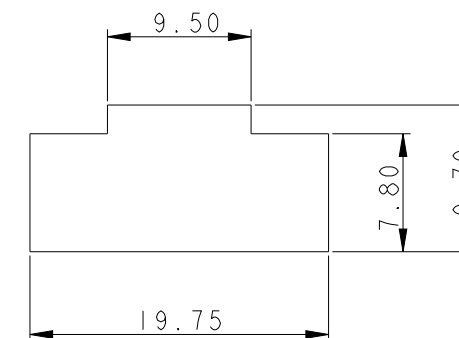
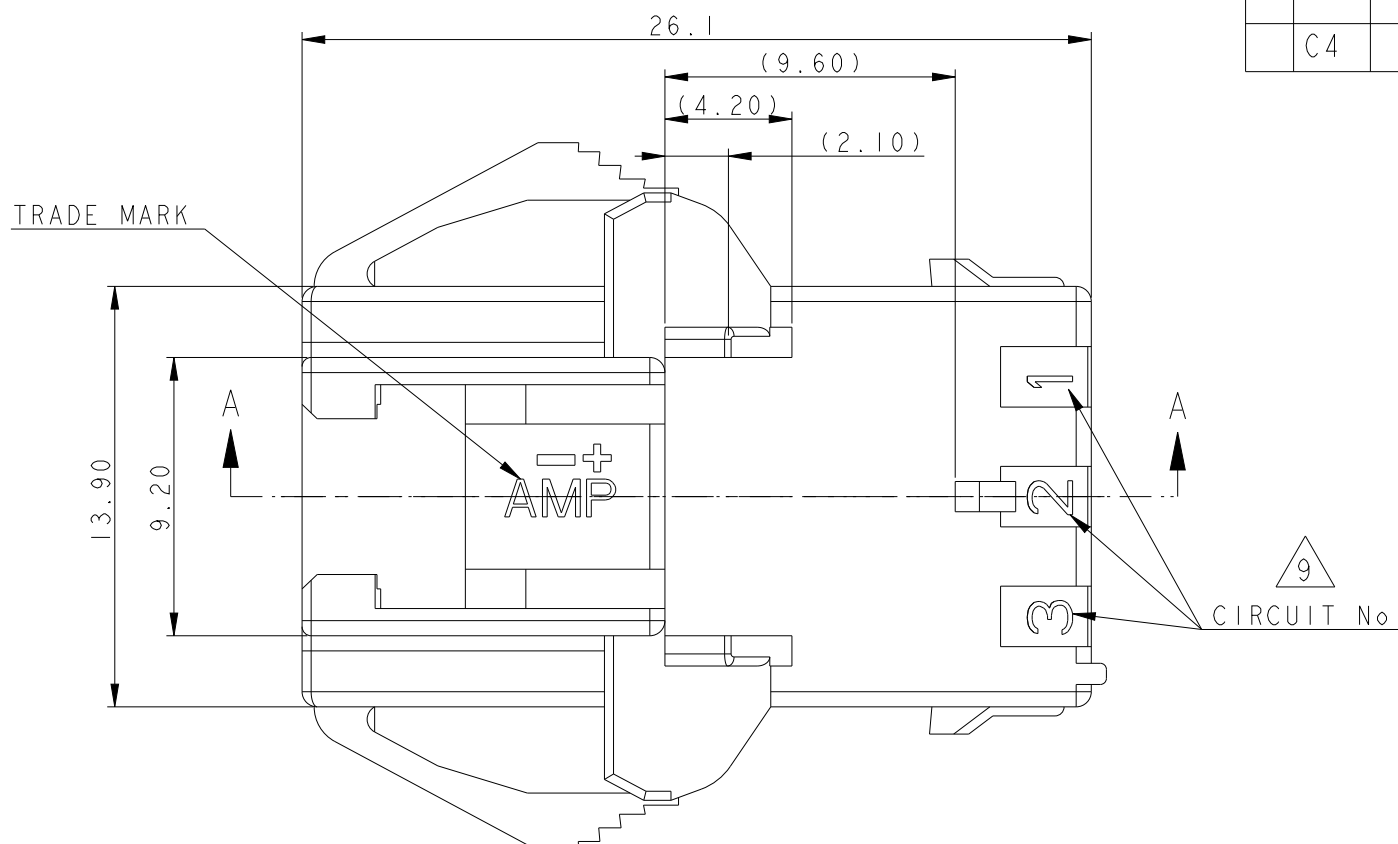
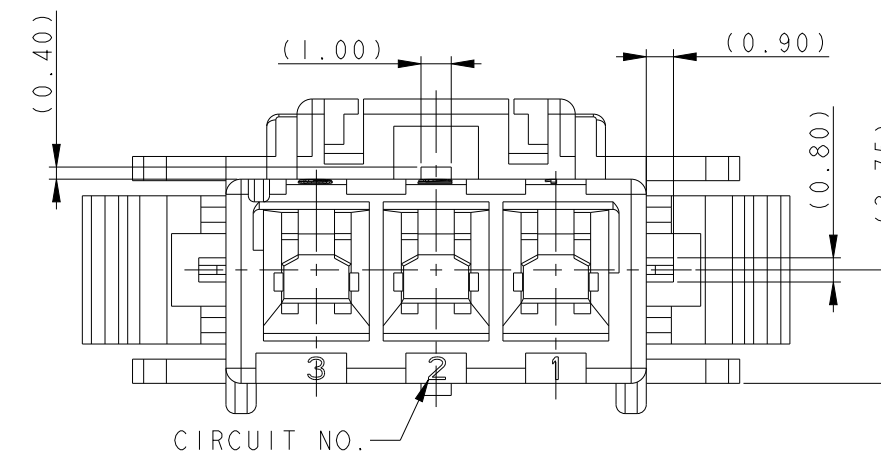
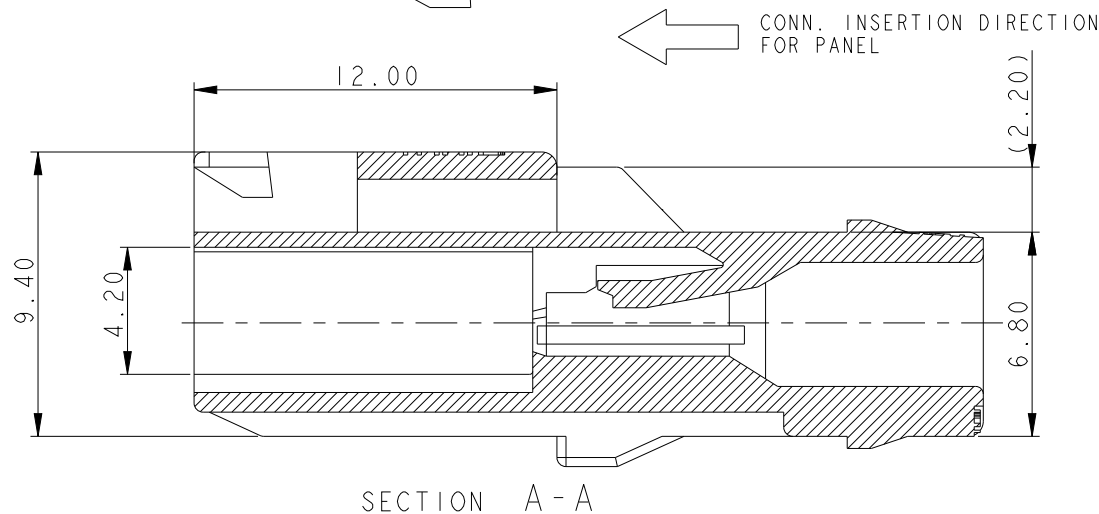
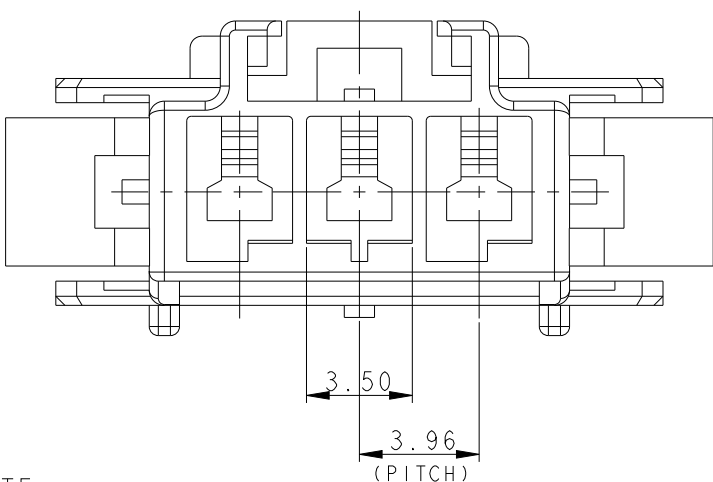


FIG 1.
RECOMMENDED PANEL OPENING DIMENSION
TOLERANCES: ±0.13

9 TABLE 1

TRADE MARK	MANUFACTURING PLACE
-+AMP OR AMP	CHINA
AMP OR AMP	KOREA
-AMP OR AMP	JAPAN



NOTE;

1. APPLICABLE CONTACT P/N
-TAB CONTACT: 177917-□ (AWG#20-#16)
177916-□ (AWG#26-#22)
2. MATING CONN. P/N
-PLUG HSG: 177899-□
-REC CONTACT: 177915-□ (AWG#20-#16)
: 177914-□ (AWG#26-#22)
4. APPLICABLE PLATE P/N: 177919-□
5. INSTRUCTION SHEET: 411-5638
6. APPLICATION PANEL THICKNESS: 0.8~2.0 (SEE FIG 1.) PART
7. INSERT CONN. FROM PRESS DIRECTION SIDE FOR METAL PANEL.
8. EDGE OF THICKNESS MAY MUST NOT ROUND FOR MOLDED PANEL.
9. SEE TABLE 1
10. ALL PARTS MEET REI ELECTRICAL RATING OF 105°C ACCORDING TO UL1977
11. PART 5-177907-1 COMPLY WITH GLOW WIRE REQUIREMENT FOR PART OF NON-MATERIAL SUPPORTING A CURRENT-CARRYING CONNECTION DETAILED IN IEC60335-1 SECTION 30 (GWT)

3	5-177907-1	NATURAL
3	177907-9	BLACK
3	177907-6	BLUE
3	177907-4	YELLOW
3	177907-2	RED
3	177907-1	NATURAL
POS.	P/N	COLOR

THIS DRAWING IS A CONTROLLED DOCUMENT.		DWN	9. SEP. '93	STE TE Connectivity
		CHK	9. SEP. '93	
		APVD	9. SEP. '93	
		PRODUCT SPEC	108-5410	
DIMENSIONS: mm		TOLERANCES UNLESS OTHERWISE SPECIFIED:		NAME
		0 PLC	±	AMP PDL CONN., 3.96MM PITCH 3P CAP HOUSING (PANEL MOUNT)
		1 PLC	±0.5	
		2 PLC	±0.25	
		3 PLC	±	
		4 PLC	±	
		ANGLES	±5°	
MATERIAL 6/6 NYLON (UL94V-0)		FINISH	-	SIZE
		APPLICATION SPEC 114-5175		CAGE CODE
		WEIGHT		DRAWING NO
		CUSTOMER DRAWING		A300779
		SCALE		RESTRICTED TO
		4:1		-
		SHEET		REV
		1 OF 1		C4