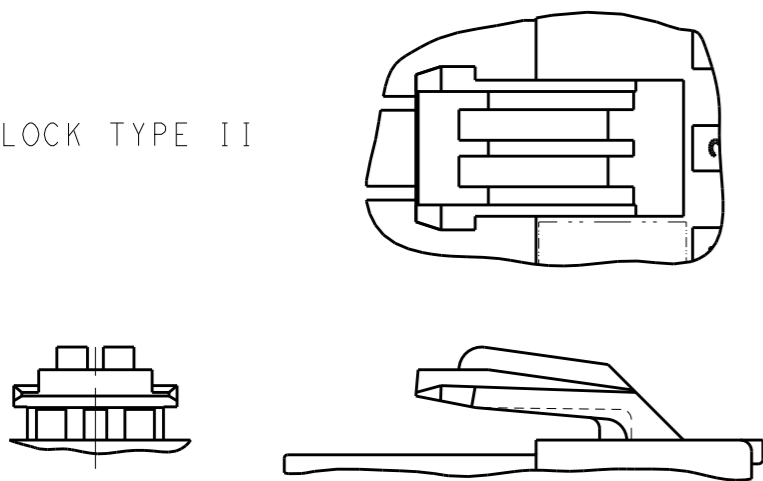


THIS DRAWING IS UNPUBLISHED. RELEASED FOR PUBLICATION 20  
© COPYRIGHT 20 BY - ALL RIGHTS RESERVED.

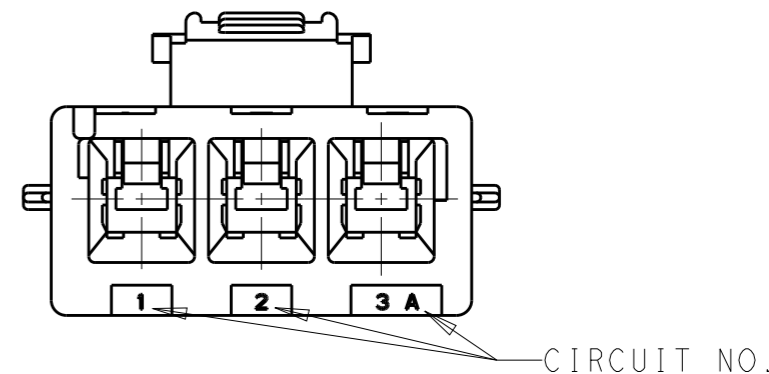
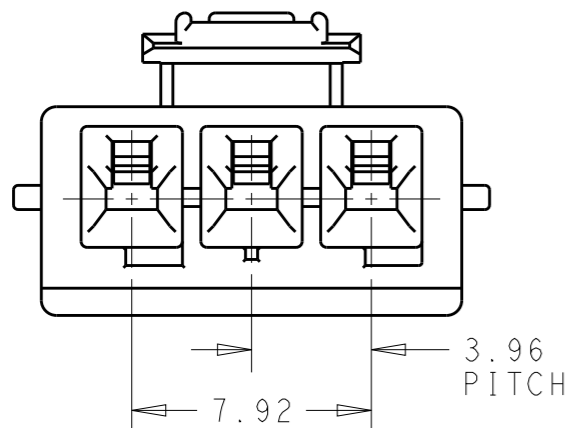
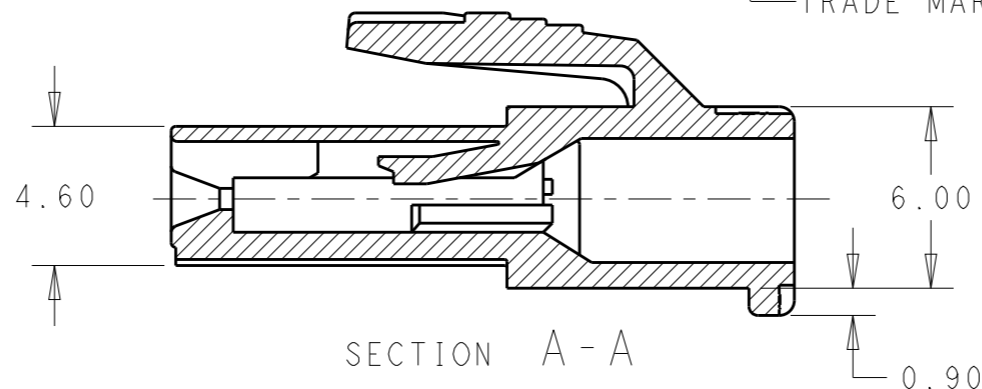
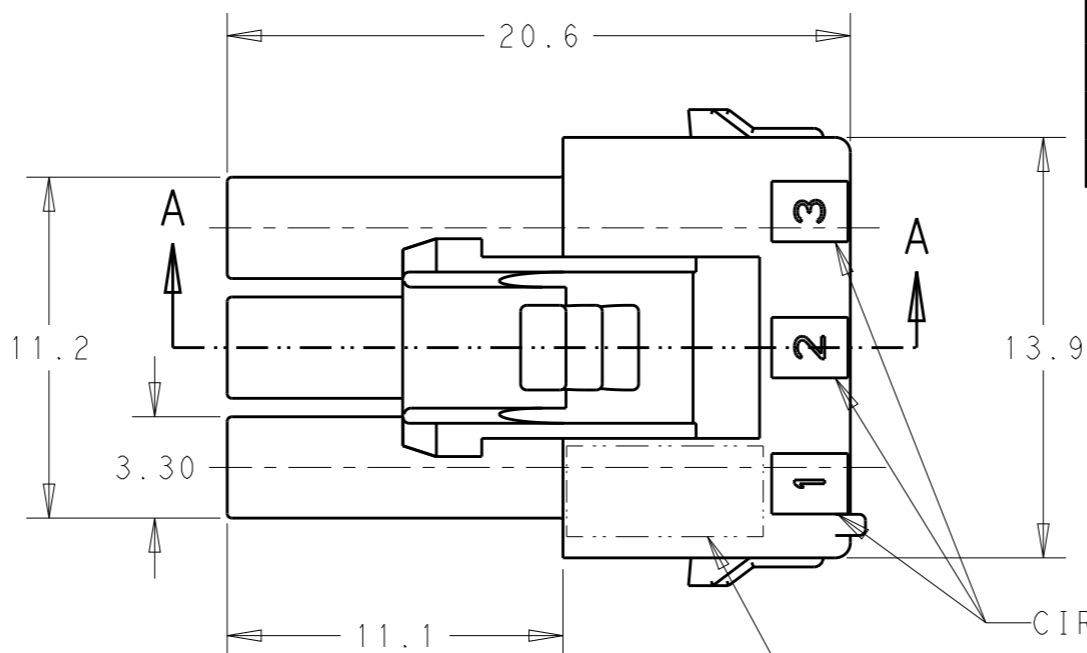
REVISIONS

P	LTR	DESCRIPTION	DATE	DWN	APVD
	E5	REVISED PER ECR-19-003343	06MAR2019	N.L	D.Z

LOCK TYPE II



SCALE 3:1



- 1 APPLICABLE CONTACT P/N  
REC CONTACT : 177915-X (AWG#20-#16)  
177914-X (AWG#26-#22)  
X-2232901-X(AWG#20-#16)  
X-2232902-X(AWG#26-#22)
- 2 MATING CONN. P/N  
CAP HSG : 177907-X (PANEL MOUNT)  
179464-X (FREE HANGING)  
  
TAB CONTACT : 177917-X (AWG#20-#16)  
177916-X (AWG#26-#22)

- 6 PART 5-177899-1 COMPLY WITH GLOW WIRE REQUIREMENT FOR PARTS OF NON-METALLIC MATERIAL SUPPORTING A CURRENT-CARRYING CONNECTION DETAILED IN IEC 60335-1, SECTION 30 (GWT)

- 3 APPLICABLE PLATE P/N : 177919-X
- 4 INSTRUCTION SHEET : 411-5638
- 5 ALL PARTS MEET RTI ELECTRICAL RATING OF 105°C ACCORDING TO UL1977.

LOCK TYPE II	BLUE	3	3-177899-6
	NATURAL	3	3-177899-1
LOCK TYPE I	NATURAL	3	5-177899-1
	<del>BLACK</del>	<del>3</del>	<del>177899-9</del>
	BLUE	3	177899-6
	YELLOW	3	177899-4
	RED	3	177899-2
	NATURAL	3	177899-1
LOCK TYPE	HOUSING COLOR	POS	PART NUMBER

THIS DRAWING IS A CONTROLLED DOCUMENT.		DWN J. SATO 25OCT2007	TE Connectivity		
DIMENSIONS: mm		CHK S. MANABE 25OCT2007			
TOLERANCES UNLESS OTHERWISE SPECIFIED:		APVD S. MANABE 25OCT2007			
		PRODUCT SPEC 108-5410	NAME AMP POWER DOUBLE LOCK 3.96mm PITCH 3 POS PLUG HSG (SGL. ROW)		
MATERIAL		APPLICATION SPEC 114-5175	SIZE A3	CAGE CODE 00779	DRAWING NO C-177899
FINISH		WEIGHT -	RESTRICTED TO		
		RESTRICTED CUSTOMER	SCALE N/A	SHEET 1 OF 1	REV E5