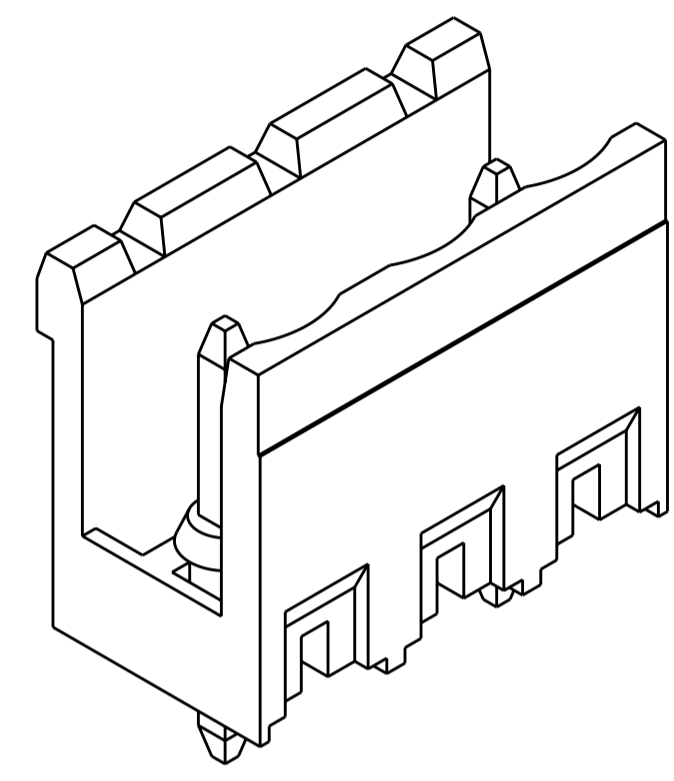
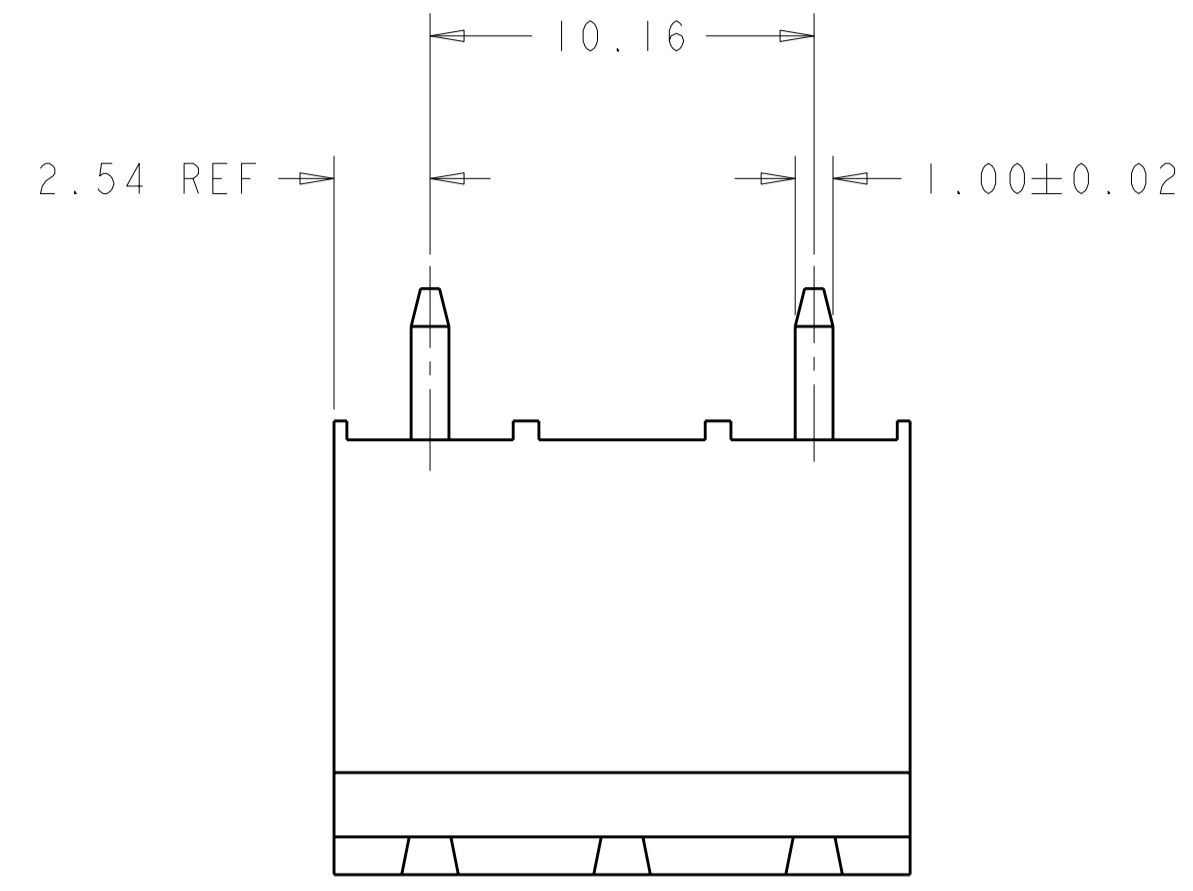


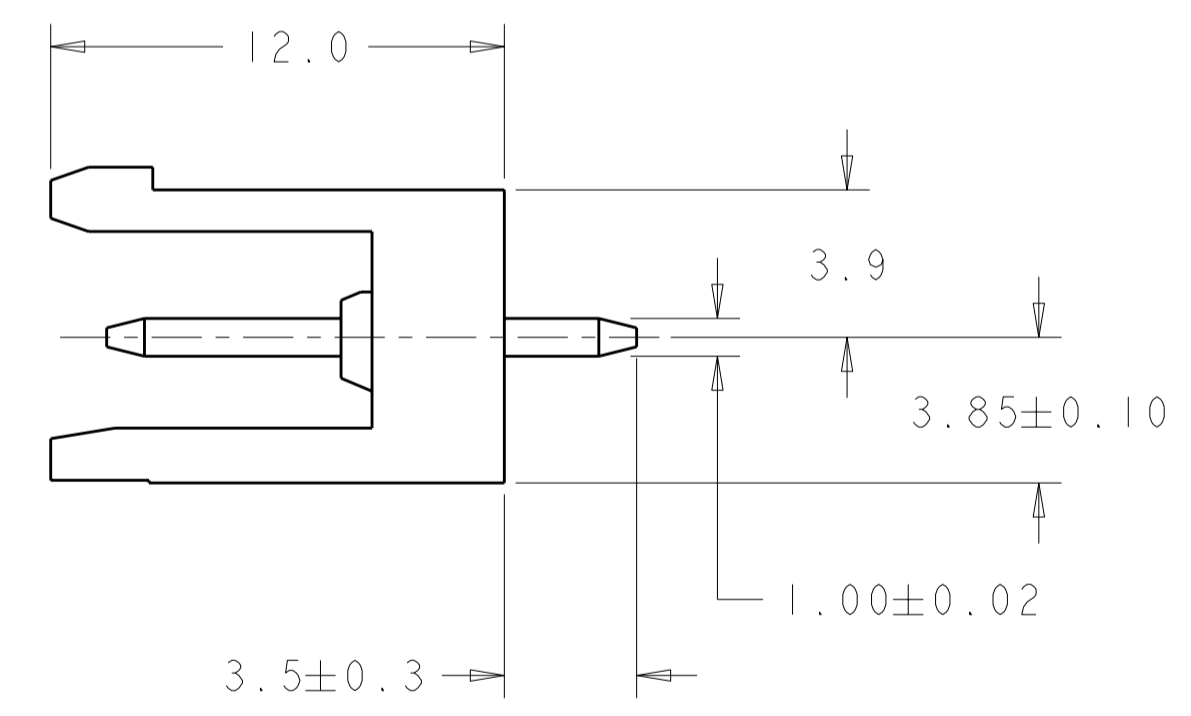
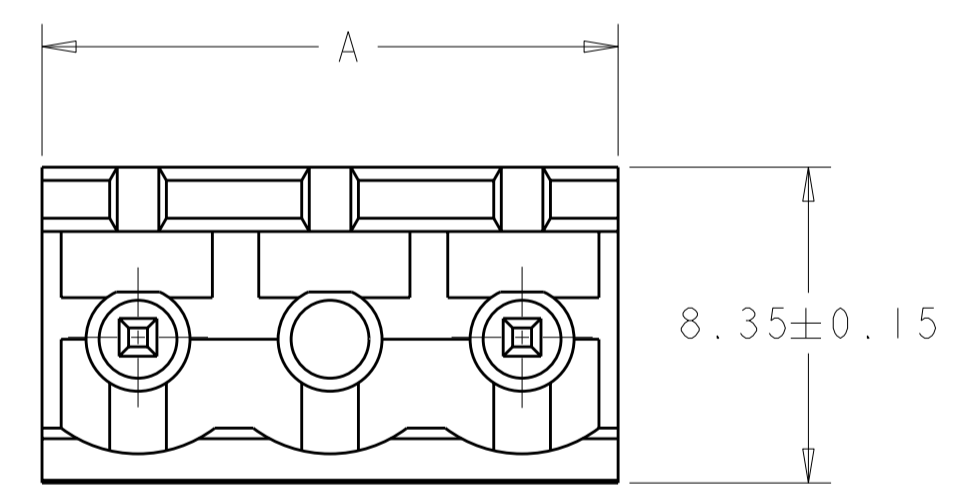
THIS DRAWING IS UNPUBLISHED. RELEASED FOR PUBLICATION 20
 © COPYRIGHT 20 Tyco Electronics AMP GmbH ALL RIGHTS RESERVED.

LOC	DIST	REVISIONS			
P	LTR	DESCRIPTION	DATE	DWN	APVD
FT	0	01 REVISED PER ECO-12-007711	26APR2012	KH	MS

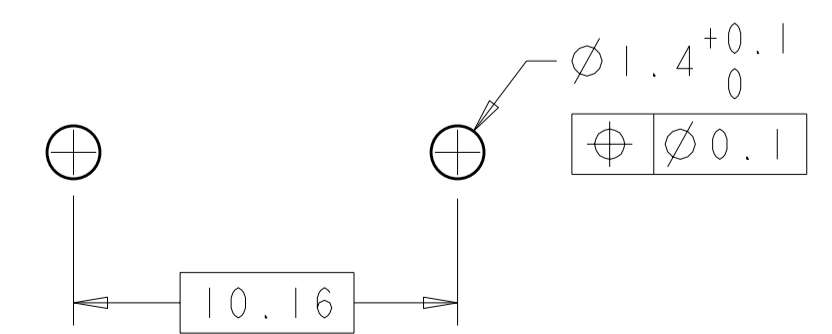


- △ MATERIALS AND FINISH
 HOUSING: HIGH TEMPERATURE POLYAMIDE, UL 94V-0 RATED,
 COLOR: BLACK.
 TERMINAL: COPPER ALLOY, TIN PLATED.
- SUITABLE FOR 1,6-2,4mm PC BOARD THICKNESS.
 - RECOGNIZED UNDER THE COMPONENT PROGRAM OF UNDERWRITERS LABORATORIES INC. FILE N° E60677.
 - IMQ CERTIFICATE WITH SURVEILLANCE IN CONFORMITY WITH IEC 998-1/998-2-1.

1776157-2 AS SHOWN



35.56	4	1776157-4
25.40	3	1776157-3
15.24	2	1776157-2
A	NO OF POSN	PART NUMBER



RECOMMENDED PC BOARD LAYOUT

THIS DRAWING IS A CONTROLLED DOCUMENT.		DWN S.WELDON 11JUL2005	STE TE Connectivity	
DIMENSIONS: mm		CHK C.RICHARD 11JUL2005		
TOLERANCES UNLESS OTHERWISE SPECIFIED:		APVD C.RICHARD 11JUL2005	NAME: TERMINAL BLOCK HEADER ASSEMBLY, 180 DEGREE, OPEN ENDS, 10.16mm PITCH	
0 PLC ±-	1 PLC ±.3	PRODUCT SPEC 108-20166	SIZE A2	CAGE CODE 00779
2 PLC ±.25	3 PLC ±-	APPLICATION SPEC 114-20079	DRAWING NO C-1776157	RESTRICTED TO -
4 PLC ±-	ANGLES ±2	WEIGHT -	SCALE 5:1	SHEET 1 OF 1
MATERIAL △ -	FINISH △ -	CUSTOMER DRAWING	REV 01	