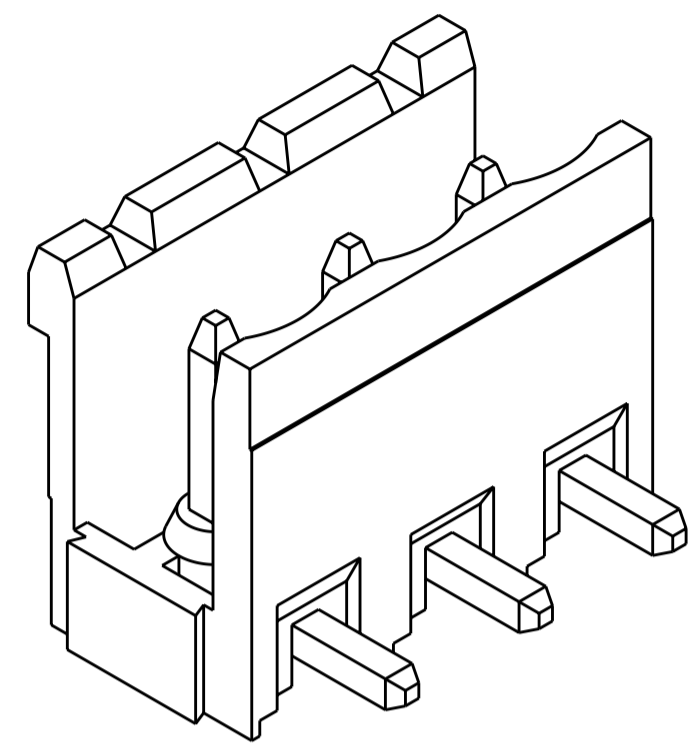
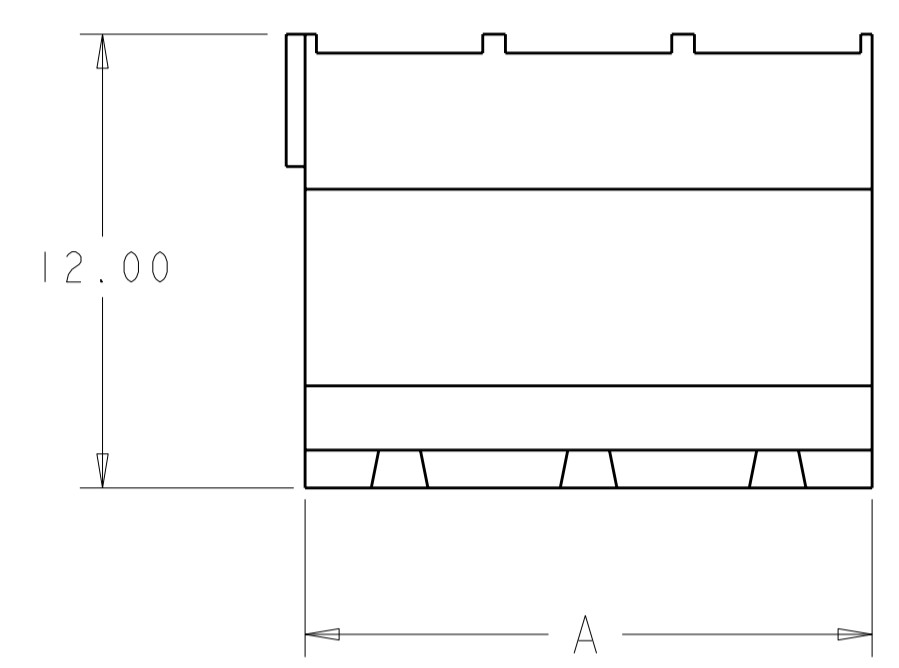


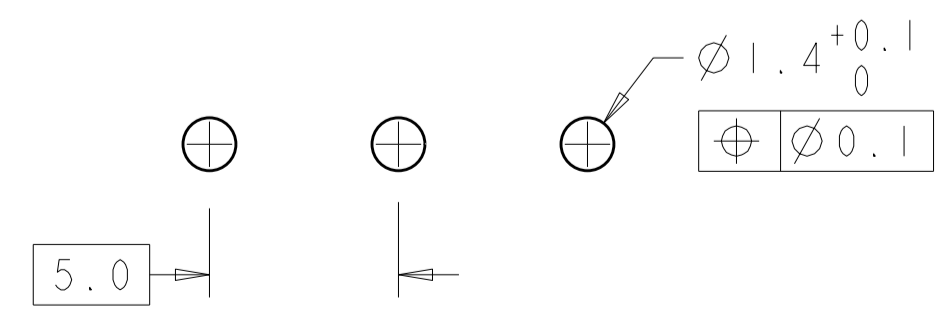
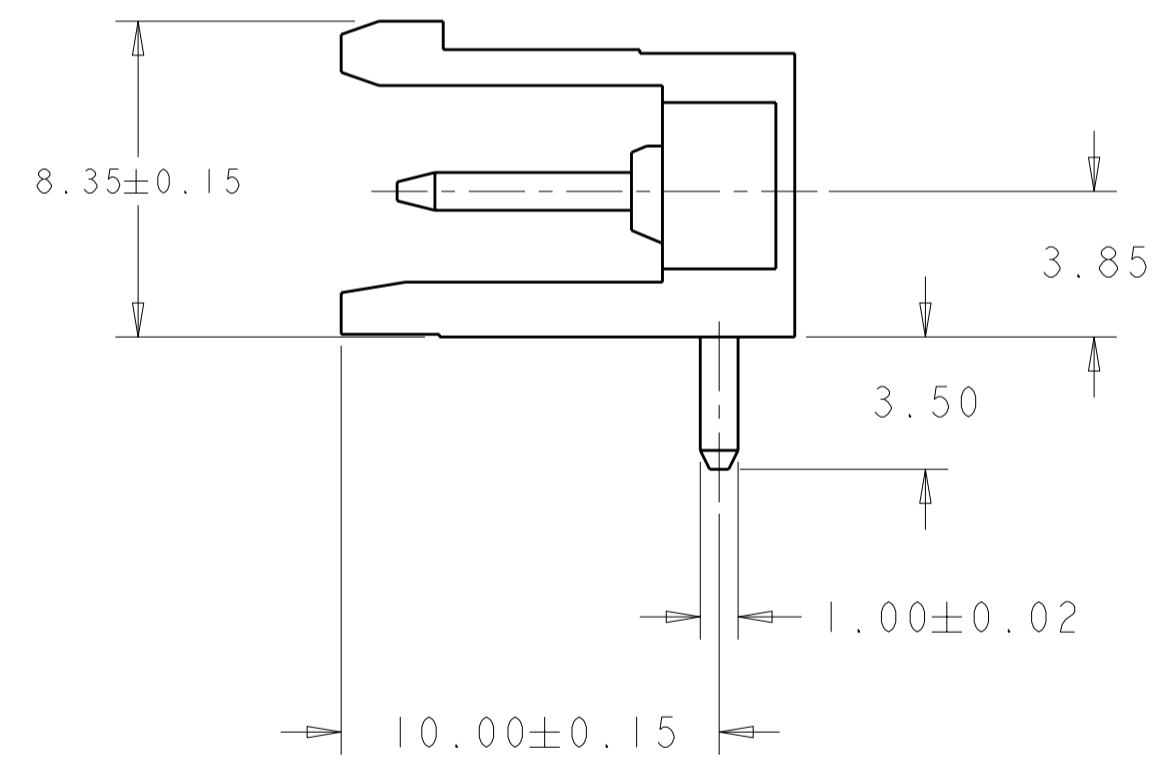
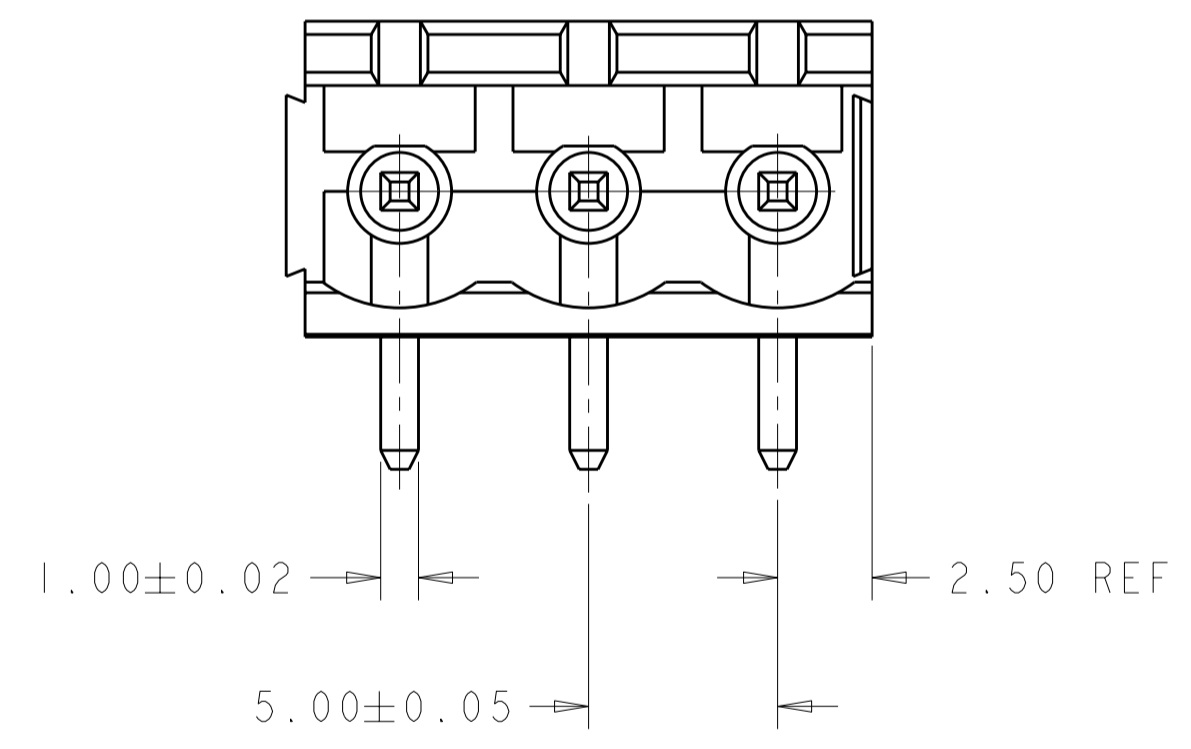
THIS DRAWING IS UNPUBLISHED. RELEASED FOR PUBLICATION 20  
 © COPYRIGHT 20 Tyco Electronics AMP GmbH ALL RIGHTS RESERVED.

LOC		DIST		REVISIONS			
P	LTR	DESCRIPTION	DATE	DWN	APVD		
	01	REVISED PER ECO-12-007711	26APR2012	KH	MS		



1776144-3 AS SHOWN

1. MATERIALS AND FINISH  
 HOUSING: HIGH TEMPERATURE POLYAMIDE, UL 94V-0 RATED,  
 COLOR: BLACK.  
 TERMINAL: COPPER ALLOY, TIN PLATED.
2. SUITABLE FOR 1,6-2,4mm PC BOARD THICKNESS.
3. END-TO-END STACKABLE WITHOUT LOSS OF CENTERLINE SPACING.
4. RECOGNIZED UNDER THE COMPONENT PROGRAM OF UNDERWRITERS LABORATORIES INC. FILE N° E60677.
5. IMQ CERTIFICATE WITH SURVEILLANCE IN CONFORMITY WITH IEC 998-1/998-2-1.
6. UL RATING: 300V, 15A.



RECOMMENDED PC BOARD LAYOUT

20.0	4	1776144-4
15.0	3	1776144-3
10.0	2	1776144-2
A	NO OF POSN	PART NUMBER

THIS DRAWING IS A CONTROLLED DOCUMENT.		DWN S. WELDON 29JUN2005	<b>STE</b> TE Connectivity	
DIMENSIONS: mm		CHK C. RICHARD 29JUN2005		
TOLERANCES UNLESS OTHERWISE SPECIFIED:		APVD C. RICHARD 29JUN2005	NAME	
0 PLC ±.2		PRODUCT SPEC	TERMINAL BLOCK HEADER ASSEMBLY	
1 PLC ±.25		108-20166	90 DEGREE, OPEN ENDS, STACKING	
2 PLC ±.25		APPLICATION SPEC	5.00mm PITCH	
3 PLC ±.		114-20079	SIZE	CAGE CODE
4 PLC ±.		WEIGHT	A200779	DRAWING NO
ANGLES ±2		CUSTOMER DRAWING	1776144	RESTRICTED TO
FINISH		SCALE 3:1	SHEET 1 OF 1	REV 01