

THIS DRAWING IS UNPUBLISHED.

RELEASED FOR PUBLICATION

AUG, 2006.

© COPYRIGHT BY TYCO ELECTRONICS CORPORATION. ALL RIGHTS RESERVED.

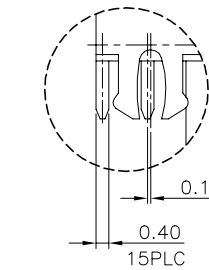
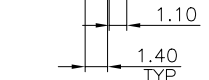
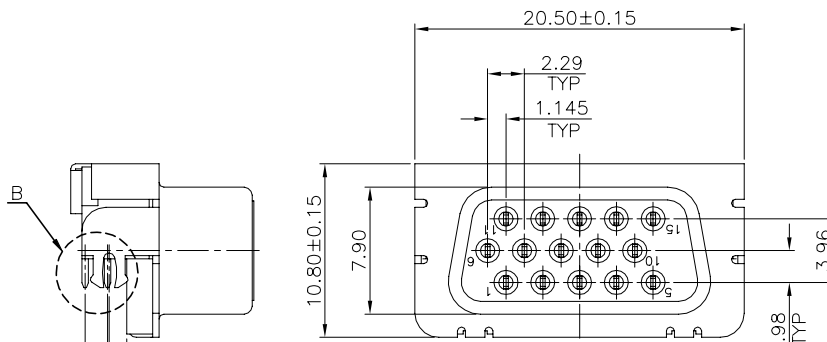
ALL RIGHTS RESERVED.

LOC DW

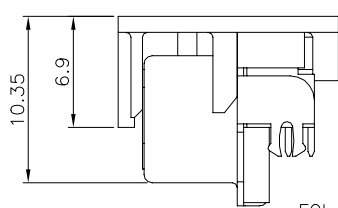
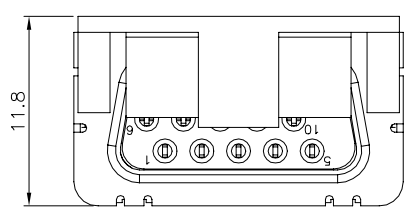
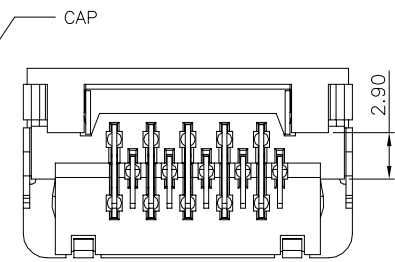
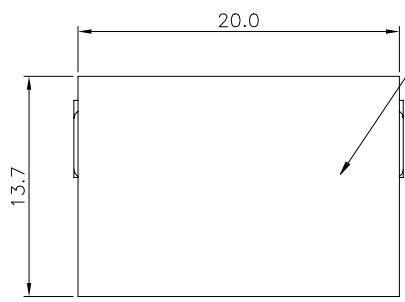
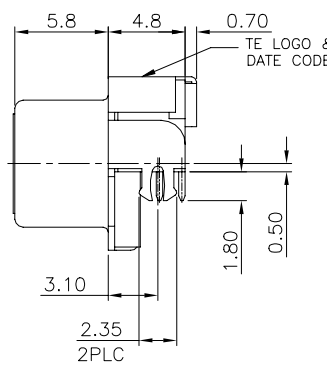
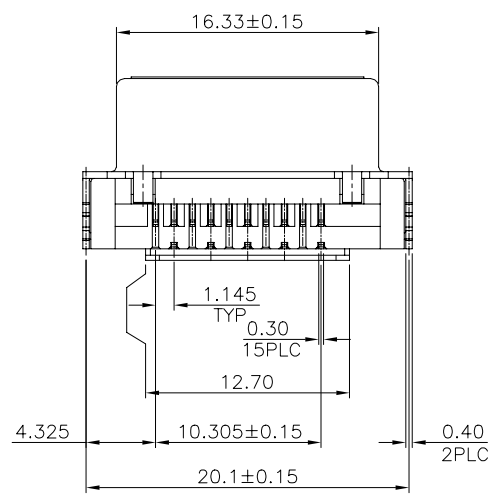
DIST -

REVISIONS

P	LTR	DESCRIPTION	DATE	DWN	APVD
	D4	ECO-20-004684	01APR2020	RR	SH

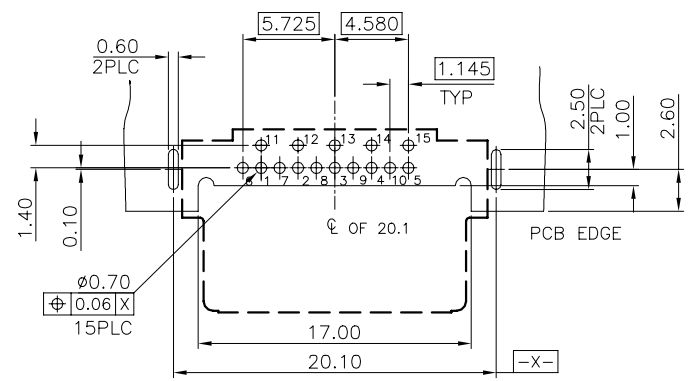


DETAIL B SCALE 2:1



CONNECTOR WITH CAP (REFERENCE)

EOL	BLACK NICKEL	1775763-2
EOL	NICKEL	1775763-1
	FRONT & REAR SHELL PLATED	PART NUMBER



RECOMMEND P.C.B LAYOUT(T=1.20mm) TOP VIEW(TOLERANCE:±0.05)

THIS DRAWING IS A CONTROLLED DOCUMENT.		DWN B. HSING 16APR2009	Tyco Electronics Tyco Electronics Corporation Taipei, Taiwan
		CHK S. CHIEN 16APR2009	
DIMENSIONS: MM		APVD W. KODAMA 16APR2009	NAME D-SUB, 15P, R/A, SLIM, RVS, DIP
TOLERANCES UNLESS OTHERWISE SPECIFIED:		PRODUCT SPEC 108-57584	
0 PLC ± -		QUALIFICATION TEST REPORT 501-57794	SIZE CAGE CODE DRAWING NO RESTRICTED TO A3 00779 C=1775763 -
1 PLC ± 0.30		WEIGHT 4.0 GRAMS	
2 PLC ± 0.25		CUSTOMER DRAWING	SCALE - SHEET 1 OF 3 REV D4
3 PLC ± 0.15			
4 PLC ± -			
ANGLES ± 3'			
MATERIAL SEE NOTE	FINISH SEE NOTE		

4

3

2

1

THIS DRAWING IS UNPUBLISHED.

RELEASED FOR PUBLICATION

AUG ,2006.

© COPYRIGHT - BY TYCO ELECTRONICS CORPORATION.

ALL RIGHTS RESERVED.

LOC

DIST

REVISIONS

P	LTR	DESCRIPTION	DATE	DWN	APVD
		SEE SHEET 1.			

D

D

C

C

B

B

A

A

OBSOLETE

EOL 2-1775763-1

EOL 1-1775763-1

PART NUMBER

THIS DRAWING IS A CONTROLLED DOCUMENT.		DWN	Tyco Electronics Corporation Taipei, Taiwan		
DIMENSIONS: MM		CHK	NAME D-SUB, 15P, R/A, SLIM, RVS, DIP		
TOLERANCES UNLESS OTHERWISE SPECIFIED:		APVD	SIZE	CAGE CODE	DRAWING NO
0 PLC ± -		PRODUCT SPEC	A3	00779	C=1775763
1 PLC ± 0.30		APPLICATION SPEC	RESTRICTED TO		
2 PLC ± 0.20		WEIGHT	SCALE		
3 PLC ± 0.20		3.8 GRAMS	SHEET 2 OF 3		
4 PLC ± -		CUSTOMER DRAWING	REV D4		
4 ANGLES ± 3'					
MATERIAL	FINISH				

4

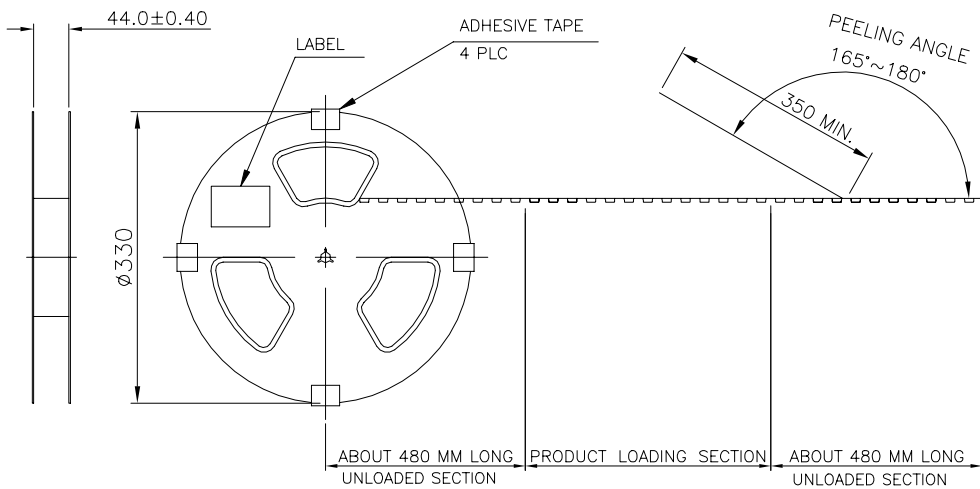
3

2

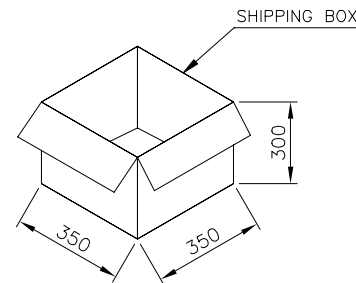
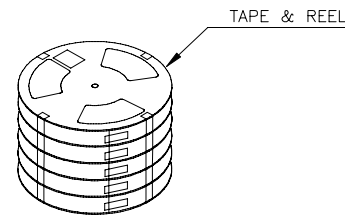
1

THIS DRAWING IS UNPUBLISHED. RELEASED FOR PUBLICATION AUG, 2006.
 © COPYRIGHT BY TYCO ELECTRONICS CORPORATION. ALL RIGHTS RESERVED.

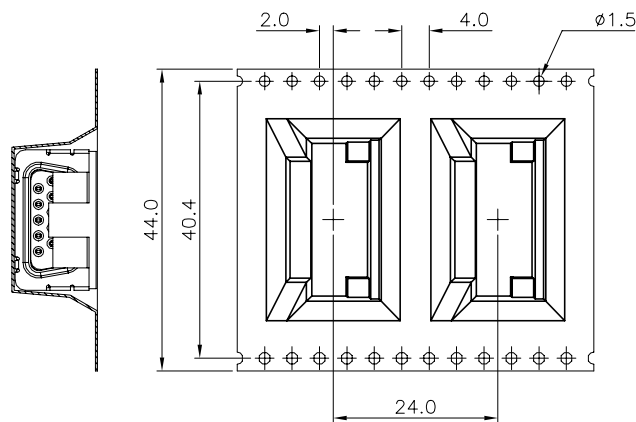
LOC	DIST	REVISIONS			
P	LTR	DESCRIPTION	DATE	DWN	APVD
DW		SEE SHEET 1.			



- NOTES:
1. DIMENSION:
REEL: $\phi = 330$.
SHIPPING BOX: L=350, W=350, H=300.
 2. QUANTITY: SEE TABLE.
 3. SHIPPING BOX WEIGHT: SEE TABLE.



PULL OUT DIRECTION →



200	6	1200	7.5	4.2
PCS/REEL	REELS/SHIPPING BOX	QUANTITY (PCS)	G/W (Kg)	N/W (Kg)

THIS DRAWING IS A CONTROLLED DOCUMENT.

DIMENSIONS: MM	TOLERANCES UNLESS OTHERWISE SPECIFIED:	0 PLC ± -	1 PLC ± -	2 PLC ± -	3 PLC ± -	4 PLC ± -	ANGLES ± -	FINISH	DWN	CHK	APVD	PRODUCT SPEC	APPLICATION SPEC	WEIGHT	CUSTOMER DRAWING
									<p>Tyco Electronics Tyco Electronics Corporation Taipei, Taiwan</p> <p>NAME: D-SUB, 15P, R/A, SLIM, RVS, DIP</p> <p>SIZE: A3 CAGE CODE: 00779 DRAWING NO: C=1775763 RESTRICTED TO</p>						
SCALE: SHEET 3 OF 3 REV D4															