

P	LTR	DESCRIPTION	DATE	DWN	APVD
	J3	ECR-22-153074	21SEP2022	TL	HL

NOTE:

1. MATERIAL:

HOUSING: PA9T, UL94 V-0, COLOR: (SEE TABLE).

CONTACTS: BRASS.

CAP: LCP UL94 V-0, COLOR :BLACK.

2. FINISH:

CONTACTS: 3.05um [120u"] MIN. MATTE-TIN.

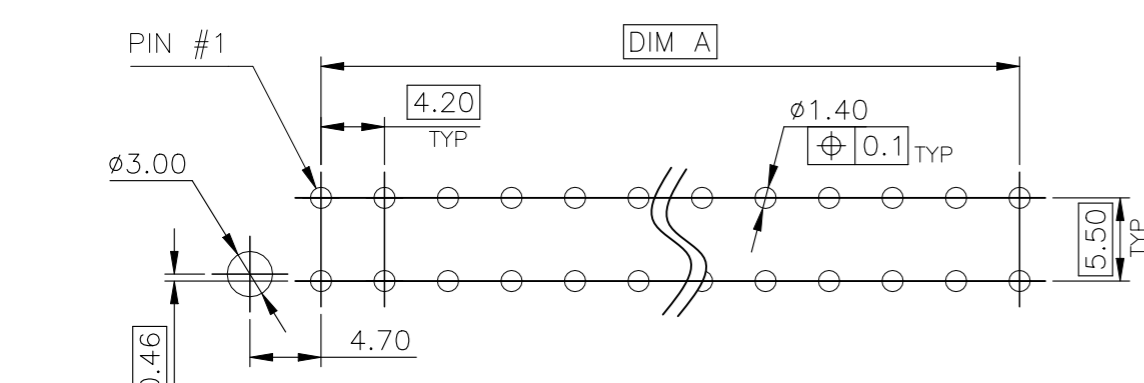
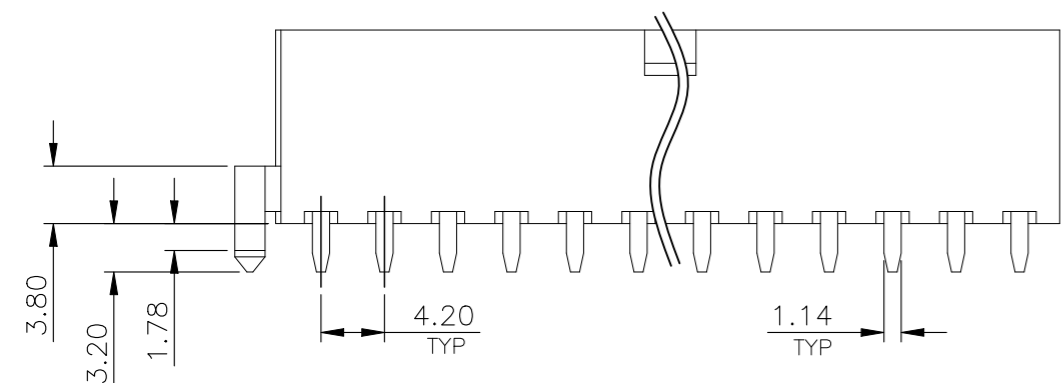
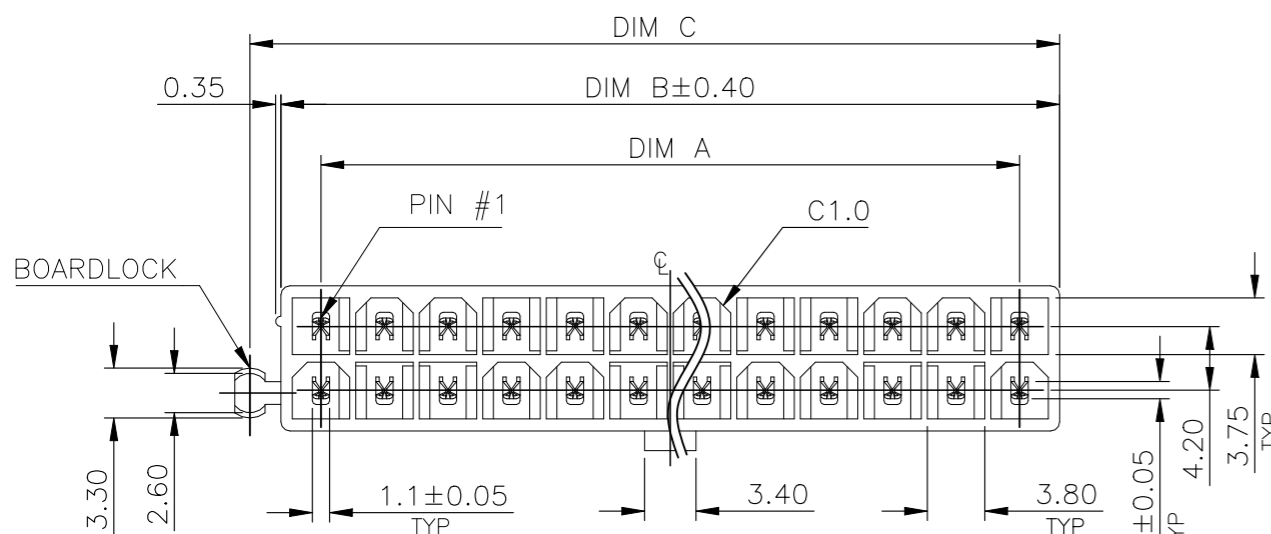
1.27um [50u"] MIN. NICKEL UNDERPLATED ALL OVER.

3. WAVE SOLDER CAPABLE TO 265°C PER TEST SPEC.

109-202, CONDITION B.

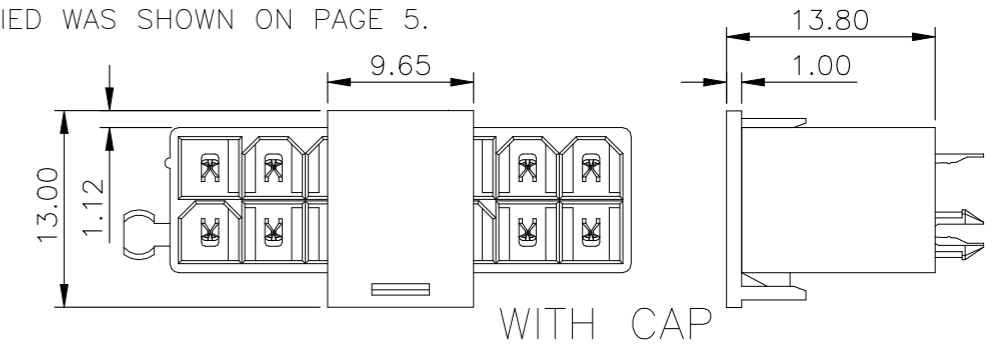
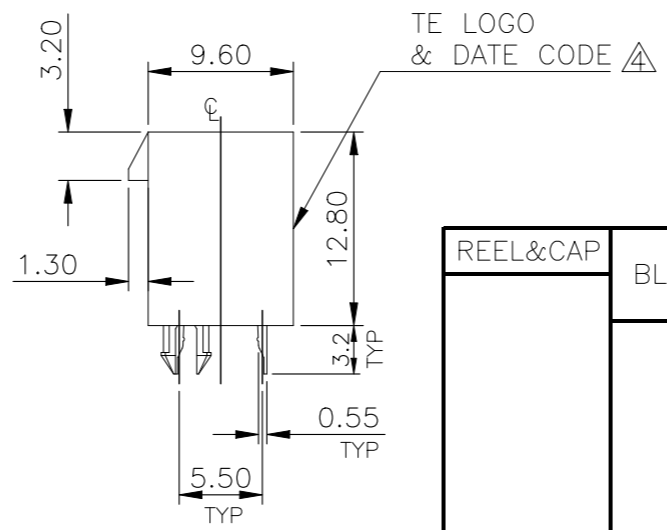
⚠ NO TE LOGO AND DATE CODE ON THE PRODUCT WITH 4 POS.

5. THE KEY IDENTIFIED WAS SHOWN ON PAGE 5.



RECOMMENDED PCB LAYOUT  
TOLERANCE: ±0.05 T=1.6mm

ONE BOARDLOCK  
(LEFT)



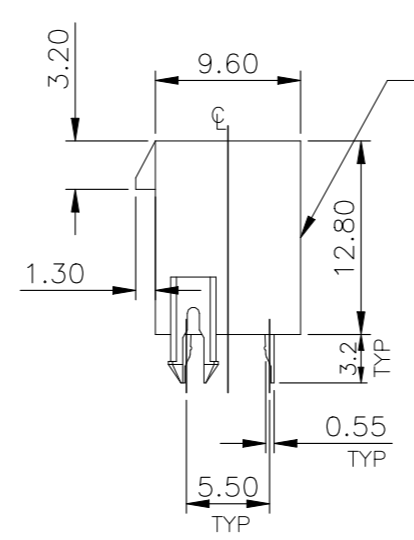
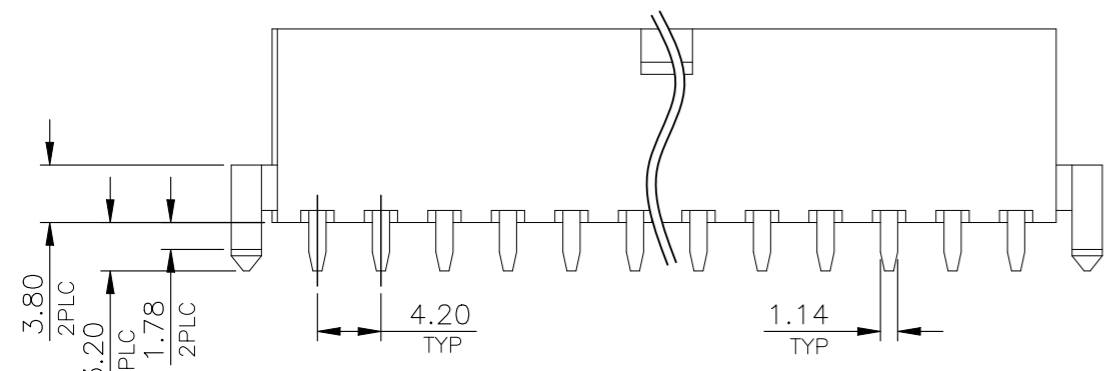
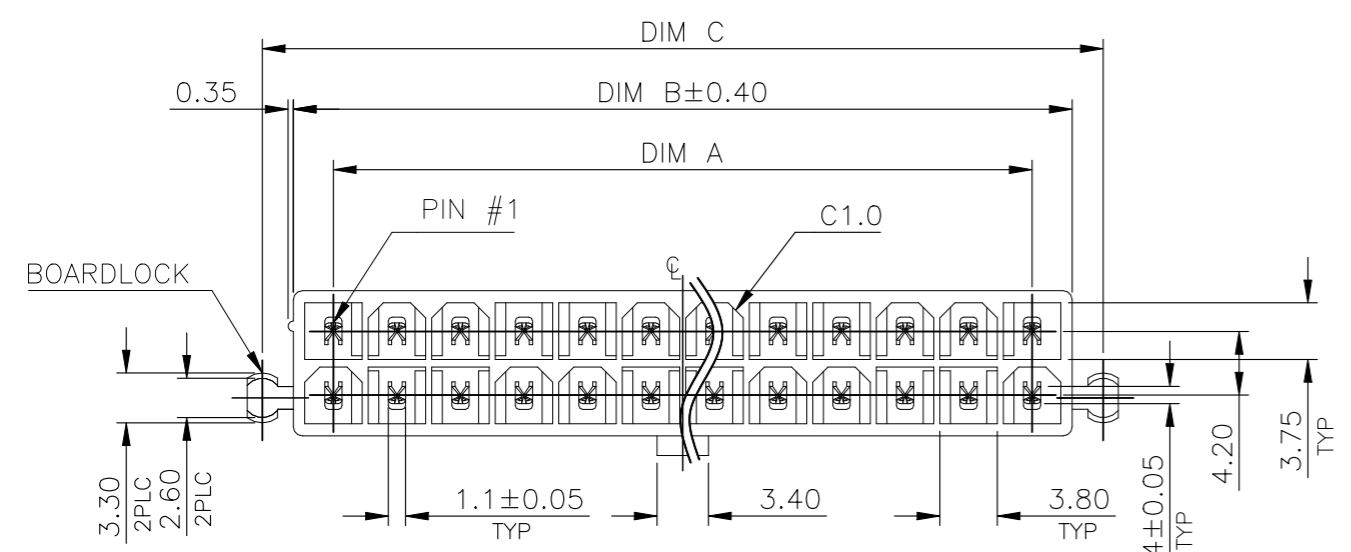
SUPERSEDED TO 1-1775099-3  
SUPERSEDED TO 1-1775099-2

OBSOLETE

REEL&CAP	BLACK PA9T	3.11	25.2	30.5	32.55	14	6-1775099-9
TRAY	IVORY PA9T	1.52	8.4	13.7	15.75	6	6-1775099-6
		5.40	46.2	51.5	53.55	24	1-1775099-3
		1.13	4.2	9.5	11.55	4	1-1775099-2
		4.30	37.8	43.1	45.15	20	1-1775099-1
		3.90	33.6	38.9	40.95	18	1-1775099-0
		3.11	25.2	30.5	32.55	14	1775099-9
		2.71	21.0	26.3	28.35	12	1775099-8
	2.31	16.8	22.1	24.15	10	1775099-7	
	1.52	8.4	13.7	15.75	6	1775099-6	
	1.92	12.6	17.9	19.95	8	1775099-5	
	5.40	46.2	51.5	53.55	24	1775099-4	
	1.13	4.2	9.5	11.55	4	1775099-3	
	5.40	46.2	51.5	53.55	24	1775099-2	
	1.13	4.2	9.5	11.55	4	1775099-1	
PACKAGE	HSG COLOR & MATERIAL	WEIGHT	DIM A	DIM B	DIM C	POS.	PART NUMBER

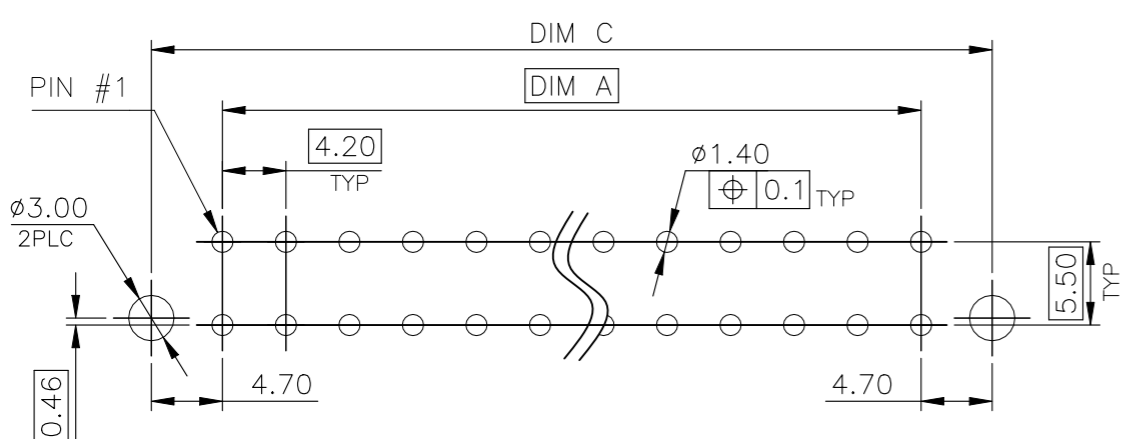
THIS DRAWING IS A CONTROLLED DOCUMENT.		DWN TONY LI 29JUN2022	TE Connectivity Ltd.			
DIMENSIONS: mm		CHK HOPE LU 29JUN2022				
TOLERANCES UNLESS OTHERWISE SPECIFIED:		APVD HOPE LU 29JUN2022	NAME			
0 PLC ± -		PRODUCT SPEC	ATX POWER CONNECTOR			
1 PLC ± 0.30		108-57560	4.2mm PITCH, VERTICAL, DIP TYPE			
2 PLC ± 0.20		APPLICATION SPEC	-			
3 PLC ± 0.15			SIZE	CAGE CODE	DRAWING NO	RESTRICTED TO
4 PLC ± -			-	-	-	-
ANGLES ± 3°		WEIGHT	0	A300779	C-1775099	-
MATERIAL		FINISH	CUSTOMER DRAWING			
			SCALE	SHEET	REV	
			1:1	1 of 8	J3	

REVISIONS					
P	LTR	DESCRIPTION	DATE	DWN	APVD
-	-	SEE SHEET 1	-	-	-



TWO BOARDLOCK

- NOTE:
- MATERIAL:  
HOUSING: PA9T, UL94 V-0, COLOR: (SEE TABLE).  
CONTACTS: BRASS.
  - FINISH:  
CONTACTS: 3.05um [120u"] MIN. MATTE-TIN.  
1.27um [50u"] MIN. NICKEL UNDERPLATED ALL OVER.
  - WAVE SOLDER CAPABLE TO 265°C PER TEST SPEC.  
109-202, CONDITION B.
  - NO TE LOGO AND DATE CODE ON THE PRODUCT WITH 4 POS.
  - THE KEY IDENTIFIED WAS SHOWN ON PAGE 5.
  - PACKING WITH TRAY.

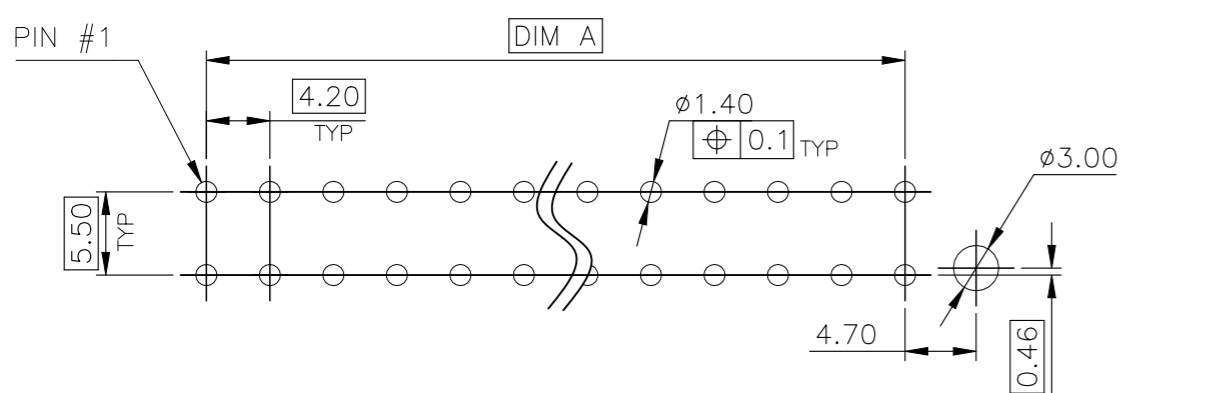
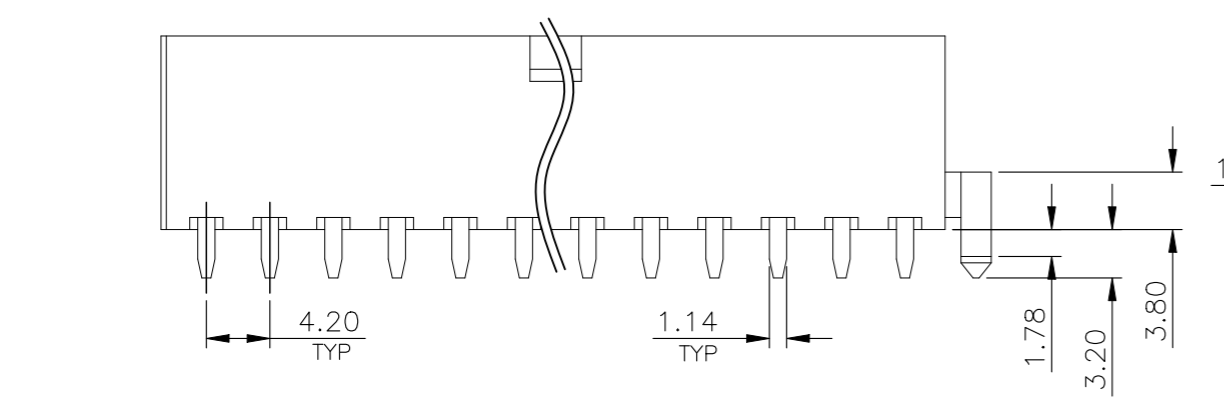
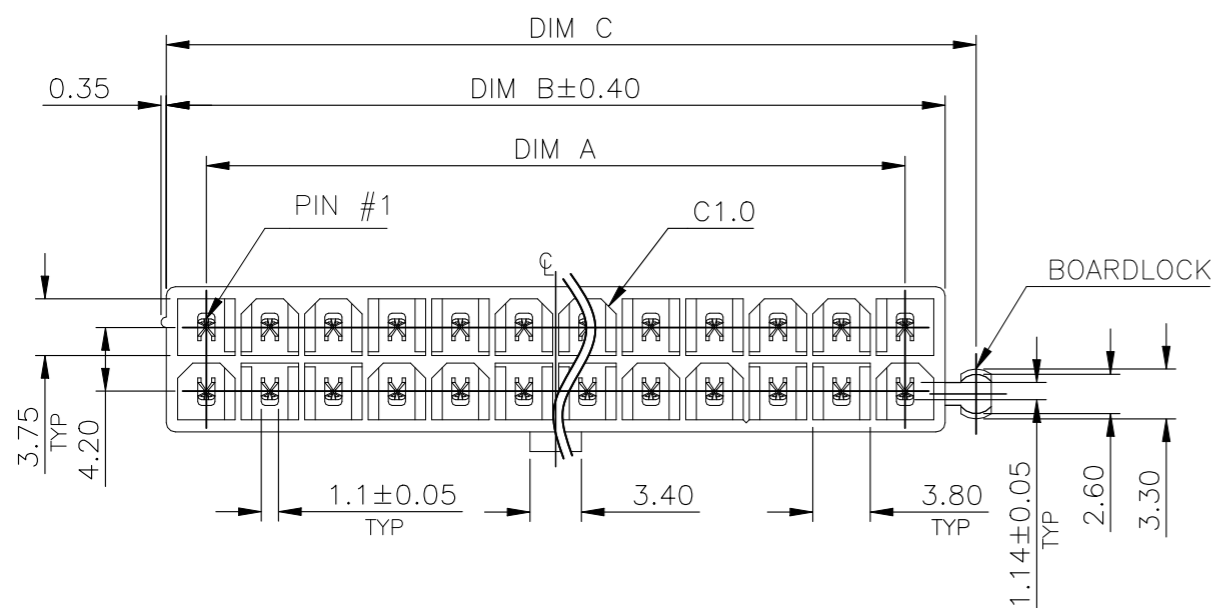


RECOMMENDED PCB LAYOUT  
TOLERANCE: ±0.05 T=1.6mm

HSG COLOR & MATERIAL	WEIGHT	DIM A	DIM B	DIM C	POS.	PART NUMBER
IVORY PA9T	3.54	29.4	34.7	38.8	16	2-1775099-9
	5.43	46.2	51.5	55.6	24	2-1775099-8
	4.33	37.8	43.1	47.2	20	2-1775099-7
	3.93	33.6	38.9	43.0	18	2-1775099-6
	3.14	25.2	30.5	34.6	14	2-1775099-5
	2.74	21.0	26.3	30.4	12	2-1775099-4
	2.34	16.8	22.1	26.2	10	2-1775099-3
	1.95	12.6	17.9	22.0	8	2-1775099-2
	1.55	8.4	13.7	17.8	6	2-1775099-1
	1.16	4.2	9.5	13.6	4	2-1775099-0

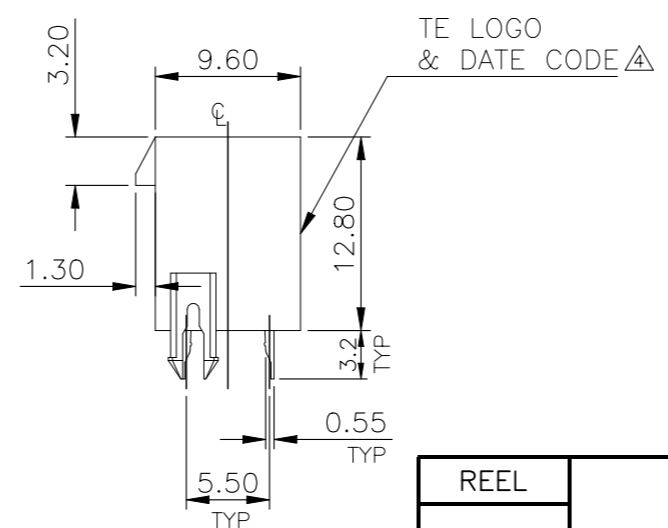
THIS DRAWING IS A CONTROLLED DOCUMENT.		DWN TONY LI 29JUN2022	TE Connectivity Ltd.			
DIMENSIONS: mm		CHK HOPE LU 29JUN2022				
TOLERANCES UNLESS OTHERWISE SPECIFIED:		APVD HOPE LU 29JUN2022	NAME			
0 PLC ± - 1 PLC ± 0.30 2 PLC ± 0.20 3 PLC ± 0.15 4 PLC ± - ANGLES ± 3°		PRODUCT SPEC 108-57560	ATX POWER CONNECTOR 4.2mm PITCH, VERTICAL, DIP TYPE			
MATERIAL -		APPLICATION SPEC -	SIZE	CAGE CODE	DRAWING NO	RESTRICTED TO
FINISH -		WEIGHT 0	A3	00779	C-1775099	-
CUSTOMER DRAWING			SCALE 1:1	SHEET 2 OF 8	REV J3	

REVISIONS					
P	LTR	DESCRIPTION	DATE	DWN	APVD
-	-	SEE SHEET 1	-	-	-



RECOMMENDED PCB LAYOUT  
TOLERANCE: ±0.05 T=1.6mm

- NOTE:
1. MATERIAL:  
HOUSING: PA9T, UL94 V-0, COLOR: (SEE TABLE).  
CONTACTS: BRASS.
  2. FINISH:  
CONTACTS: 3.05um [120u"] MIN. MATTE-TIN.  
1.27um [50u"] MIN. NICKEL UNDERPLATED ALL OVER.
  3. WAVE SOLDER CAPABLE TO 265°C PER TEST SPEC.  
109-202, CONDITION B.
  4. NO TE LOGO AND DATE CODE ON THE PRODUCT WITH 4 POS.
  5. THE KEY IDENTIFIED WAS SHOWN ON PAGE 5.

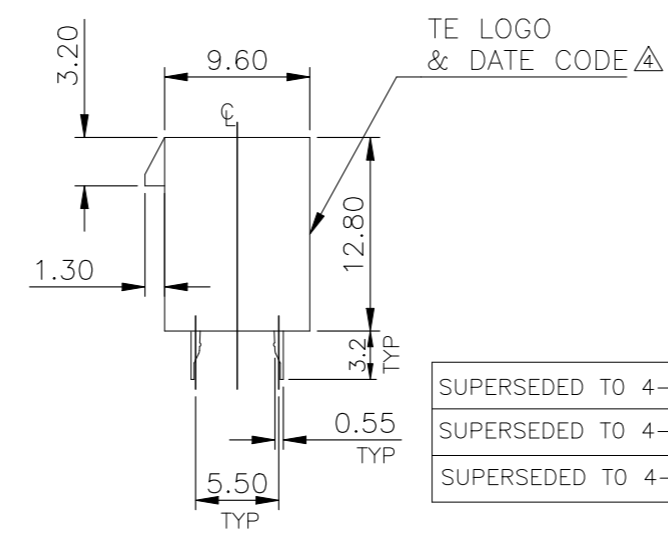
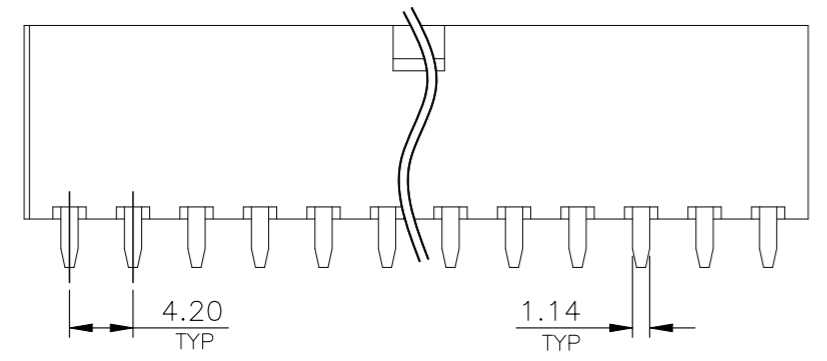
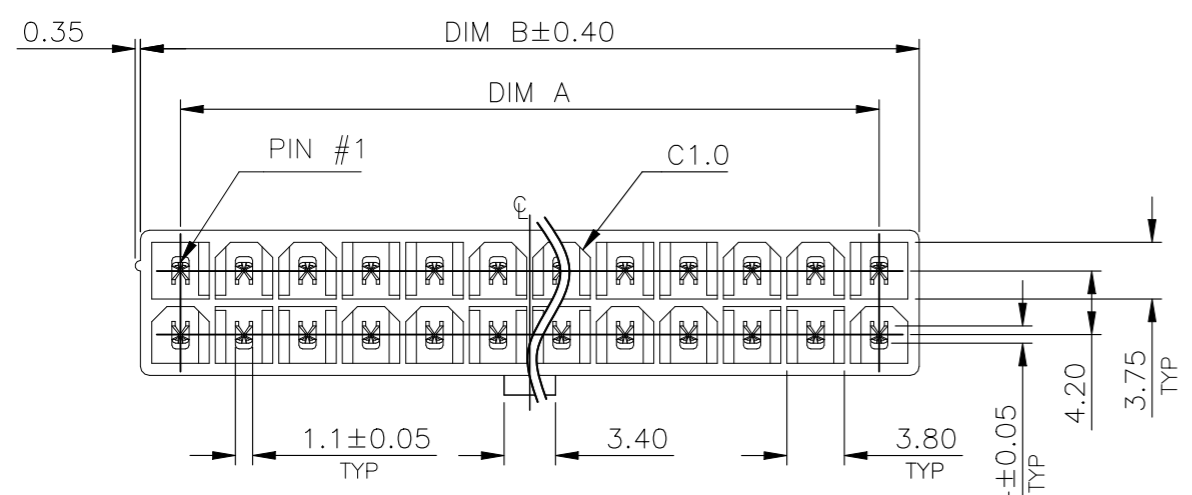


ONE BOARDLOCK  
(RIGHT)

REEL	TRAY	IVORY PA9T	WEIGHT	DIM A	DIM B	DIM C	POS.	PART NUMBER
5.40	46.2	51.5	53.55	24	3-1775099-9			
5.40	46.2	51.5	53.55	24	3-1775099-8			
4.30	37.8	43.1	45.15	20	3-1775099-7			
3.90	33.6	38.9	40.95	18	3-1775099-6			
3.11	25.2	30.5	32.55	14	3-1775099-5			
2.71	21.0	26.3	28.35	12	3-1775099-4			
2.31	16.8	22.1	24.15	10	3-1775099-3			
1.92	12.6	17.9	19.95	8	3-1775099-2			
1.52	8.4	13.7	15.75	6	3-1775099-1			
1.13	4.2	9.5	11.55	4	3-1775099-0			

THIS DRAWING IS A CONTROLLED DOCUMENT.		DWN TONY LI 29JUN2022	TE Connectivity Ltd.			
DIMENSIONS: mm		CHK HOPE LU 29JUN2022				
TOLERANCES UNLESS OTHERWISE SPECIFIED:		APVD HOPE LU 29JUN2022	NAME			
0 PLC ± - 1 PLC ± 0.30 2 PLC ± 0.20 3 PLC ± 0.15 4 PLC ± - ANGLES ± 3°		PRODUCT SPEC 108-57560	ATX POWER CONNECTOR 4.2mm PITCH, VERTICAL, DIP TYPE			
MATERIAL		APPLICATION SPEC	SIZE	CAGE CODE	DRAWING NO	RESTRICTED TO
-		-	-	A300779	C-1775099	-
CUSTOMER DRAWING			WEIGHT	SCALE	SHEET	REV
-			0	1:1	3 of 8	J3

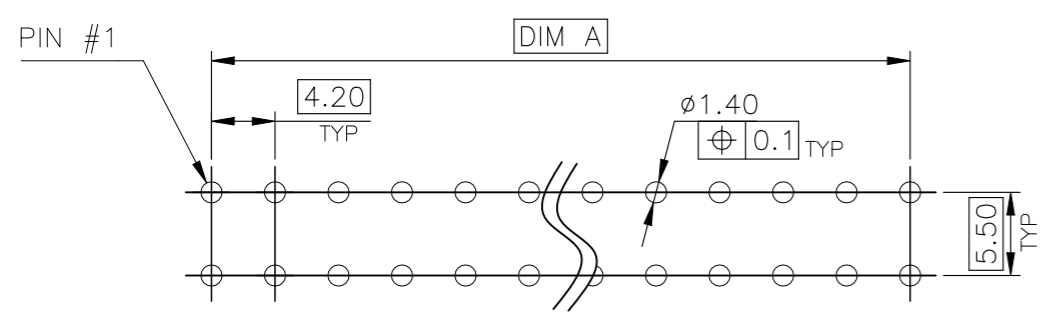
REVISIONS					
P	LTR	DESCRIPTION	DATE	DWN	APVD
-	-	SEE SHEET 1	-	-	-



NO BOARDLOCK

- NOTE:
- MATERIAL:  
HOUSING: PA9T, UL94 V-0, COLOR: (SEE TABLE).  
CONTACTS: BRASS.
  - FINISH:  
CONTACTS: 3.05um [120u"] MIN. MATTE-TIN.  
1.27um [50u"] MIN. NICKEL UNDERPLATED ALL OVER.
  - WAVE SOLDER CAPABLE TO 265°C PER TEST SPEC.  
109-202, CONDITION B.
  - NO TE LOGO AND DATE CODE ON THE PRODUCT WITH 4 POS.
  - THE KEY IDENTIFIED WAS SHOWN ON PAGE 5.
  - PACKING WITH TRAY.

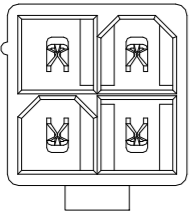
SUPERSEDED TO 4-1775099-3	IVORY PA9T	2.28	16.8	22.1	10	<del>5-1775099-3</del>
SUPERSEDED TO 4-1775099-2		1.89	12.6	17.9	8	<del>5-1775099-2</del>
SUPERSEDED TO 4-1775099-1		1.49	8.4	13.7	6	<del>5-1775099-1</del>
IVORY PA9T	5.37	46.2	51.5	24	4-1775099-8	
	4.27	37.8	43.1	20	4-1775099-7	
	3.87	33.6	38.9	18	4-1775099-6	
	3.08	25.2	30.5	14	4-1775099-5	
	2.68	21.0	26.3	12	4-1775099-4	
	2.28	16.8	22.1	10	4-1775099-3	
	1.89	12.6	17.9	8	4-1775099-2	
	1.49	8.4	13.7	6	4-1775099-1	
	1.10	4.2	9.5	4	4-1775099-0	
	HSG COLOR & MATERIAL	WEIGHT	DIM A	DIM B	POS.	PART NUMBER



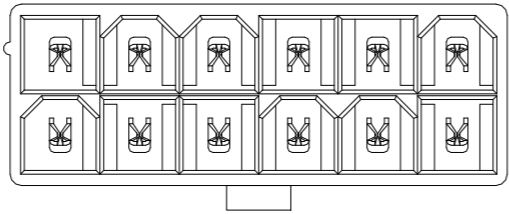
RECOMMENDED PCB LAYOUT  
TOLERANCE: ±0.05 T=1.6mm

THIS DRAWING IS A CONTROLLED DOCUMENT.		DWN TONY LI 29JUN2022	TE Connectivity Ltd.		
		CHK HOPE LU 29JUN2022			
		APVD HOPE LU 29JUN2022	NAME		
		PRODUCT SPEC 108-57560	ATX POWER CONNECTOR 4.2mm PITCH, VERTICAL, DIP TYPE		
		APPLICATION SPEC	-		
		WEIGHT 0	SIZE A3	CAGE CODE 00779	DRAWING NO C-1775099
		CUSTOMER DRAWING	SCALE 1:1	SHEET 4 OF 8	REV J3

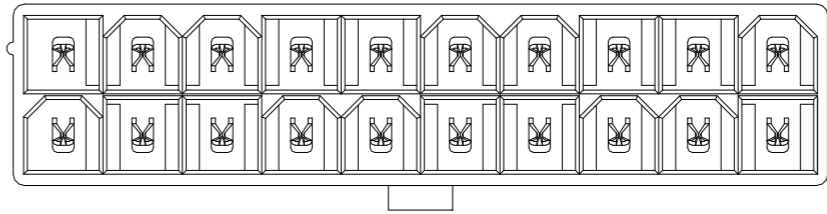
REVISIONS					
P	LTR	DESCRIPTION	DATE	DWN	APVD
-	-	SEE SHEET 1	-	-	-



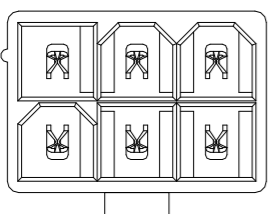
4 POS



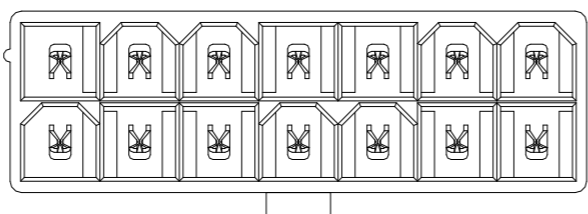
12 POS



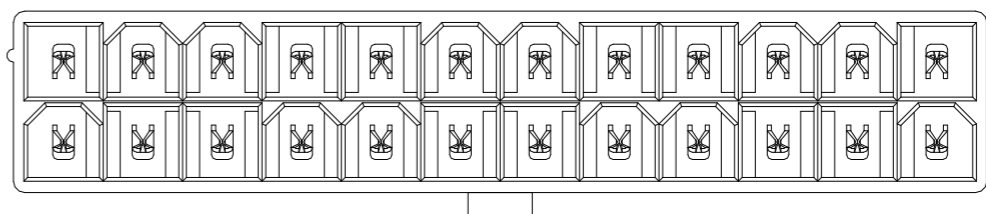
20 POS



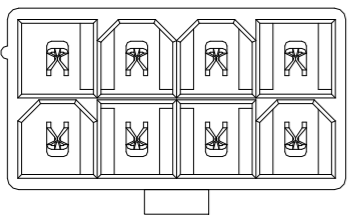
6 POS



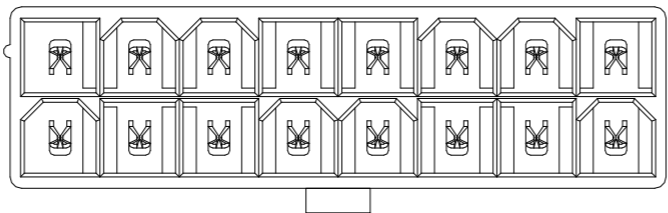
14 POS



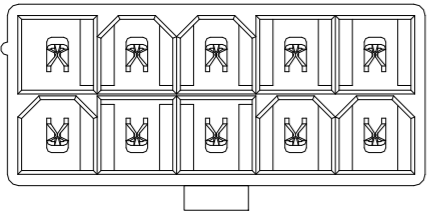
24 POS



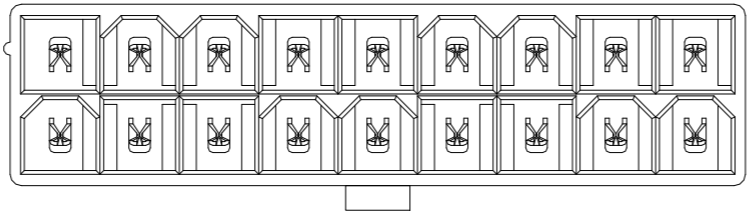
8 POS



16 POS


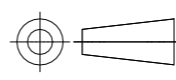


10 POS

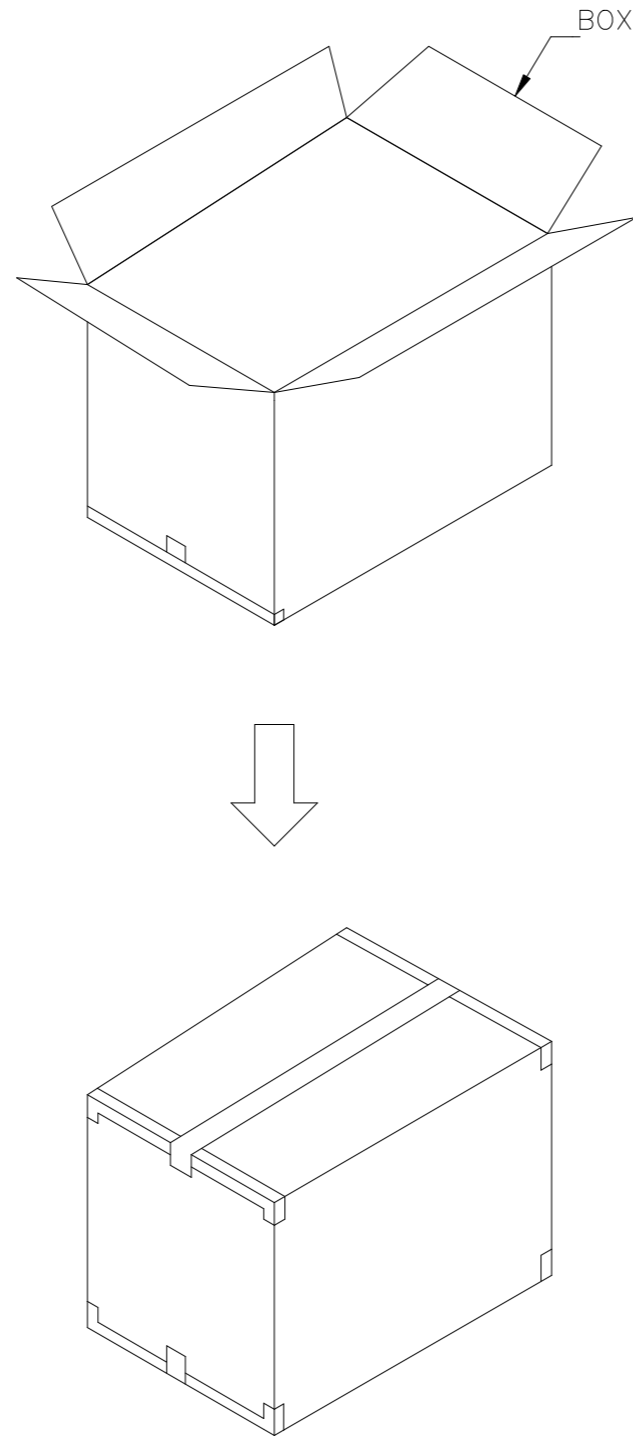
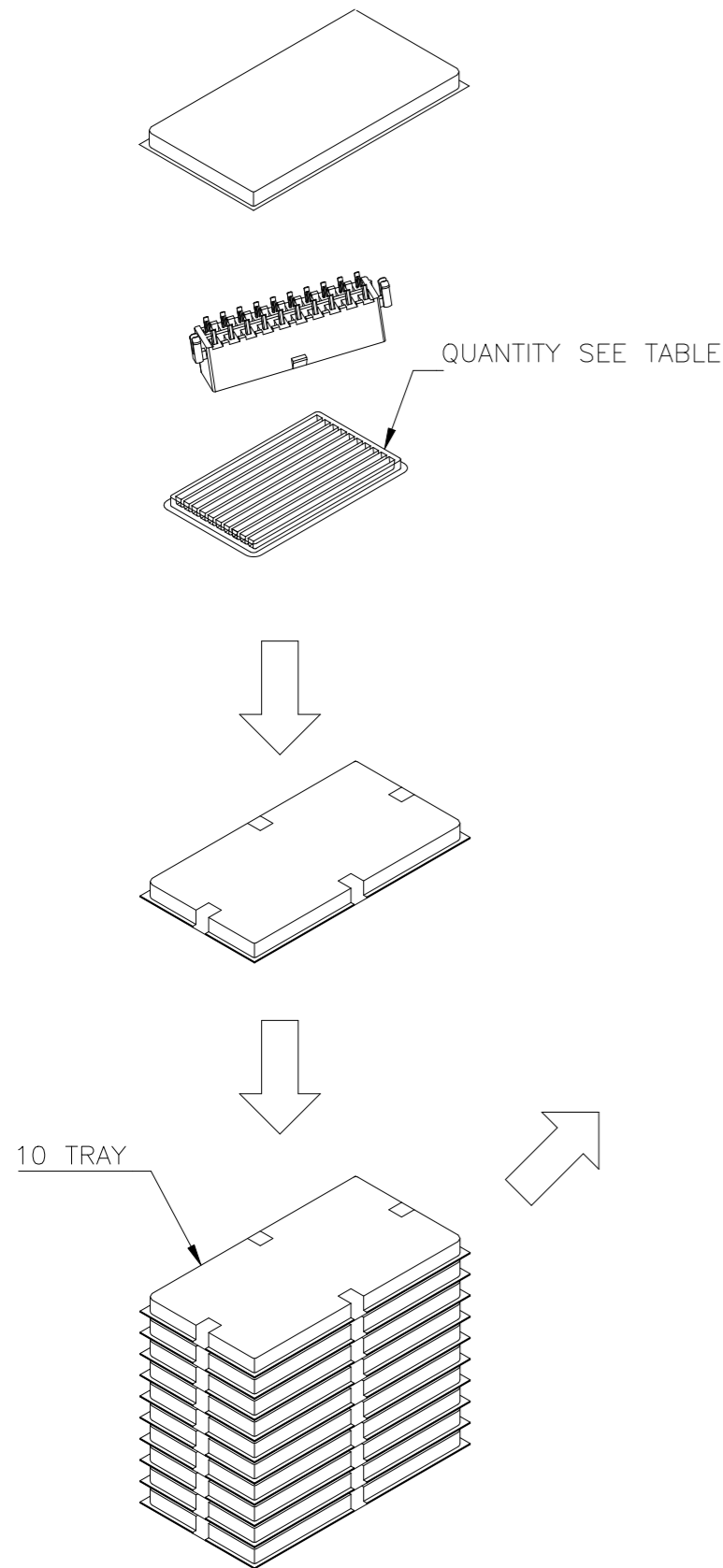


18 POS

KEY POSITION IDENTIFIED  
(TOP VIEW)

THIS DRAWING IS A CONTROLLED DOCUMENT.		DWN TONY LI 29JUN2022	 TE Connectivity Ltd.		
DIMENSIONS: mm		CHK HOPE LU 29JUN2022			
		TOLERANCES UNLESS OTHERWISE SPECIFIED:		APVD HOPE LU 29JUN2022 PRODUCT SPEC 108-57560	
MATERIAL		FINISH		APPLICATION SPEC - SIZE CAGE CODE DRAWING NO RESTRICTED TO - A3 00779 C-1775099 -	
-		-		WEIGHT 0 SCALE 1:1 SHEET 5 of 8 REV J3	
CUSTOMER DRAWING					

P	LTR	DESCRIPTION	DATE	DWN	APVD
-	-	SEE SHEET 1	-	-	-



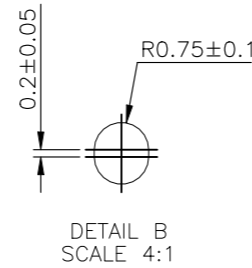
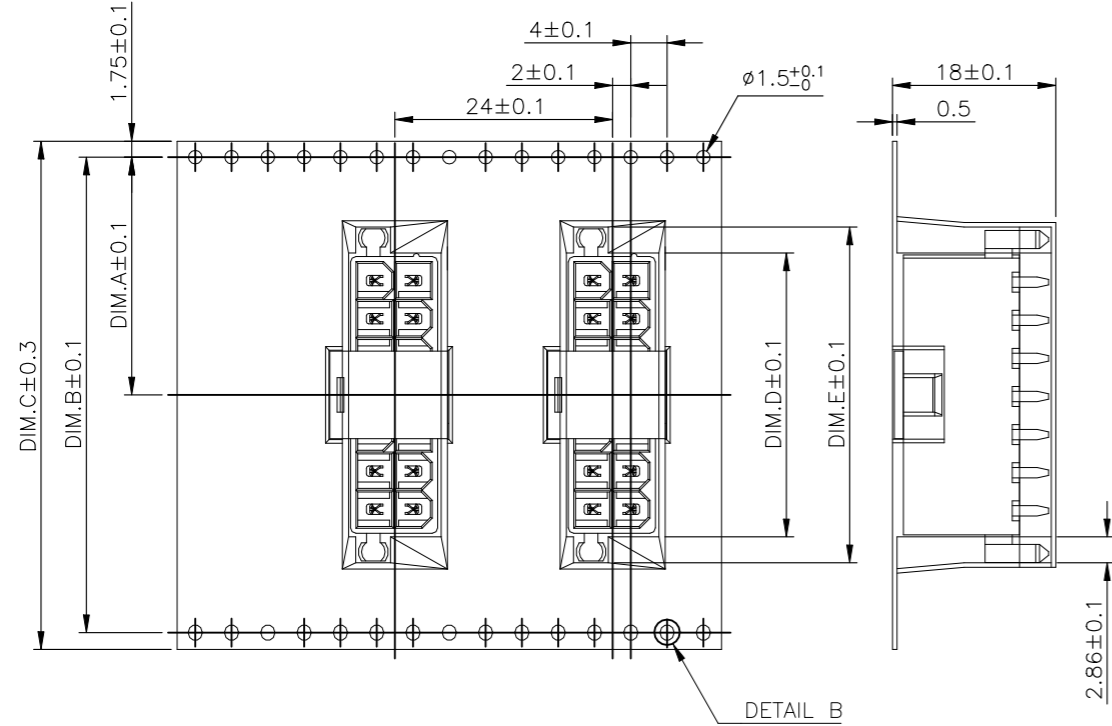
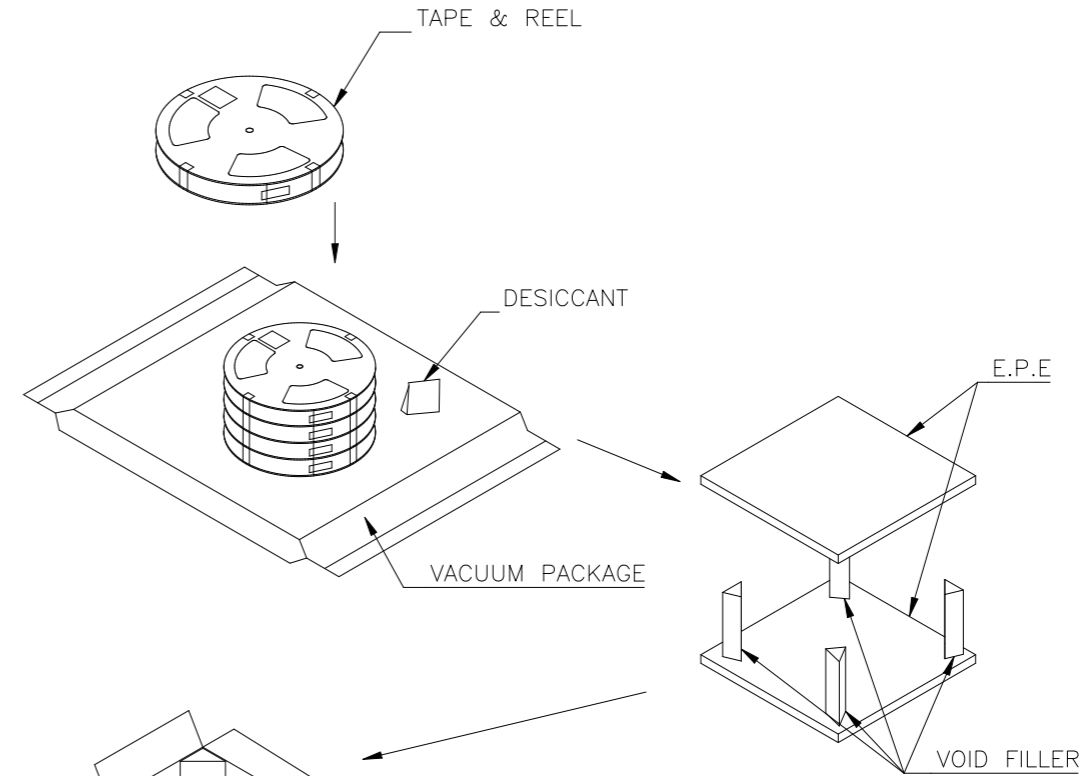
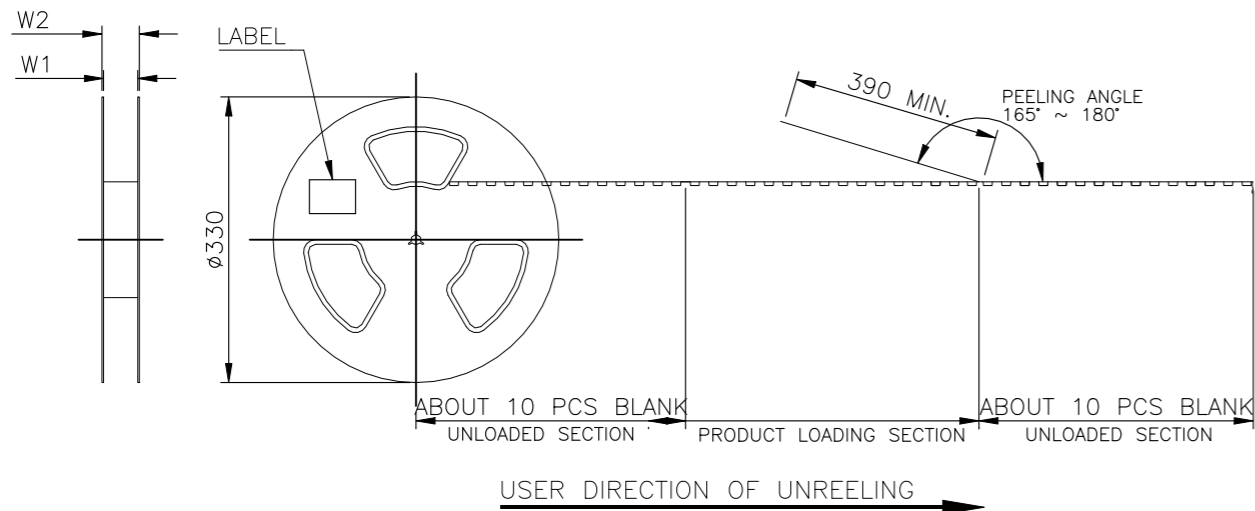
NOTES:

- 1. TRAY : PVC, SIZE: 330mm(L) X 265mm(W) X 22mm(H).
- 2. BOX : CORRUGATED, SIZE: 350mm(L) X 279mm(W) X 195mm(H).
- 3. QUANTITY: SEE TABLE.

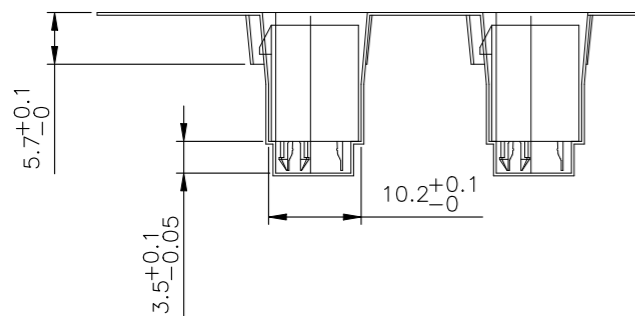
5.94	4.34	80	10	800	24	2	
5.93	4.33	100	10	1000	20		
5.53	3.93	100	10	1000	18		
5.85	4.25	120	10	1200	16		
6.00	4.40	140	10	1400	14		
5.98	4.38	160	10	1600	12		
5.81	4.21	180	10	1800	10		
5.89	4.29	220	10	2200	8		
5.94	4.34	280	10	2800	6		
5.78	4.18	360	10	3600	4		
5.92	4.32	80	10	800	24	1	
5.90	4.30	100	10	1000	20		
6.28	4.68	120	10	1200	18		
5.95	4.35	140	10	1400	14		
5.94	4.34	160	10	1600	12		
6.22	4.62	200	10	2000	10		
6.21	4.61	240	10	2400	8		
6.16	4.56	300	10	3000	6		
6.35	4.75	420	10	4200	4		
5.90	4.30	80	10	800	24		
5.87	4.27	100	10	1000	20	0	
6.24	4.64	120	10	1200	18		
5.91	4.31	140	10	1400	14		
6.42	4.82	180	10	1800	12		
6.16	4.56	200	10	2000	10		
6.51	4.91	260	10	2600	8		
6.67	5.07	340	10	3400	6		
6.88	5.28	480	10	4800	4		
GROSS WEIGHT	NET WEIGHT	PCS /TRAY	TRAYS /BOX	PCS /BOX	POS.		NO. OF BOARDLOCK

THIS DRAWING IS A CONTROLLED DOCUMENT.		DWN TONY LI 29JUN2022	TE Connectivity Ltd.			
DIMENSIONS: mm		CHK HOPE LU 29JUN2022				
TOLERANCES UNLESS OTHERWISE SPECIFIED:		APVD HOPE LU 29JUN2022	NAME			
0 PLC ± - 1 PLC ± - 2 PLC ± - 3 PLC ± - 4 PLC ± - ANGLES ± -		PRODUCT SPEC 108-57560	ATX POWER CONNECTOR 4.2mm PITCH, VERTICAL, DIP TYPE			
MATERIAL		APPLICATION SPEC	SIZE	CAGE CODE	DRAWING NO	RESTRICTED TO
FINISH		WEIGHT 0	A3	00779	C-1775099	-
CUSTOMER DRAWING			SCALE 1:1	SHEET 6 OF 8	REV J3	

P	LTR	DESCRIPTION	DATE	DWN	APVD
-	-	SEE SHEET 1	-	-	-



- NOTES:
- MATERIAL:  
 BOX: FIBREBOARD, CORRUGATED, DOUBLE WALL.  
 COVER TAPE: PET, TRANSPARENT COLOR.  
 CARRIER TAPE: POLYSTYRENES, BLACK COLOR.  
 REEL: POLYSTYRENES, BLUE COLOR.  
 BAG: POLYETHYLENE.
  - PEELING STRENGTH: 0.1 ~ 1.3 N (10 ~ 130 GRAMS)
  - PEELING SPEED: 300 mm/min.
  - EACH BAG SHALL BE INCLUDED DESICCANT.



60.4	56.4	37.0	31.28	56.0	52.4	26.2	5.7 KG	2.40 KG	140	5	700	14	6-1775099-9
W2	W1	DIM. E	DIM. D	DIM. C	DIM. B	DIM. A	GROSS WEIGHT	NET WEIGHT	PCS/ REEL	REEL/ BOX	PCS/ BOX	POS.	PART NUMBER

THIS DRAWING IS A CONTROLLED DOCUMENT.

DIMENSIONS:	TOLERANCES UNLESS OTHERWISE SPECIFIED:
mm	
	± -
	± -
	± -
	± -
	± -
ANGLES	± -
MATERIAL	FINISH
-	-

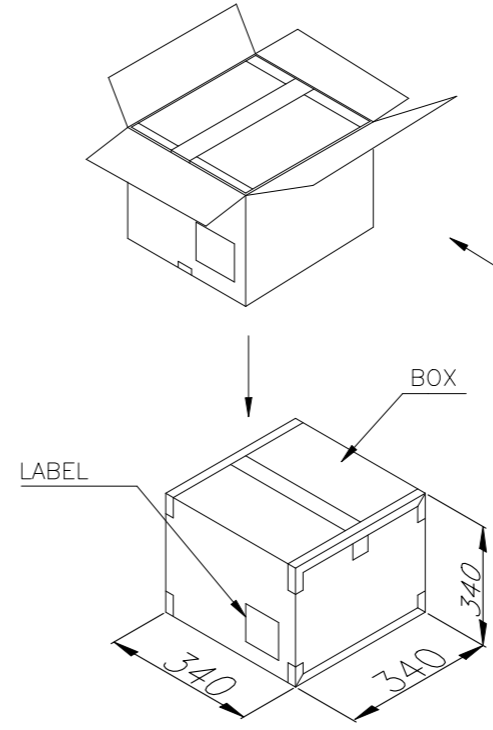
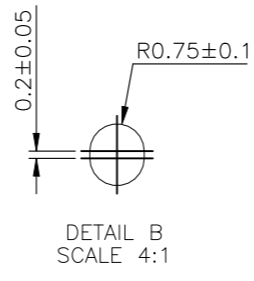
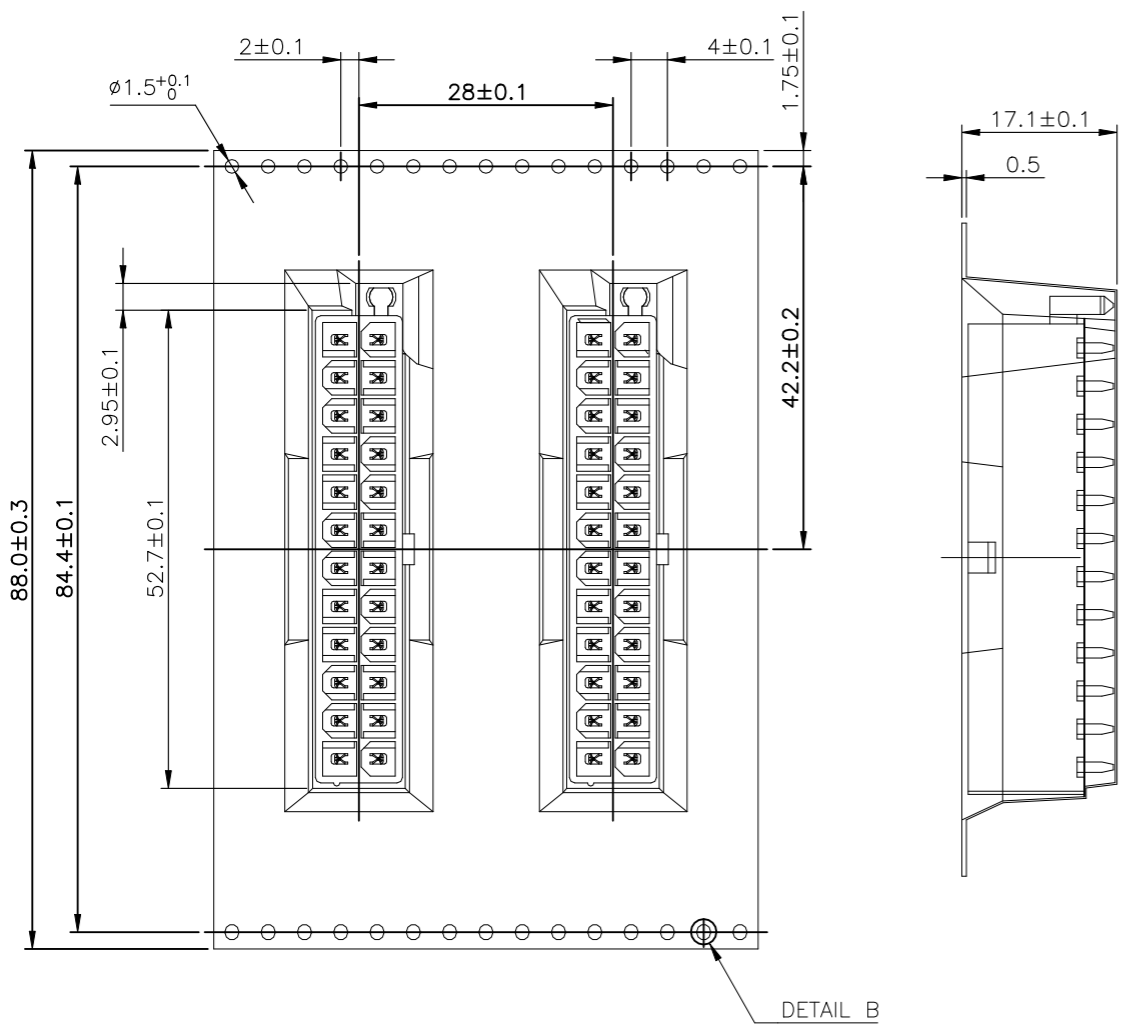
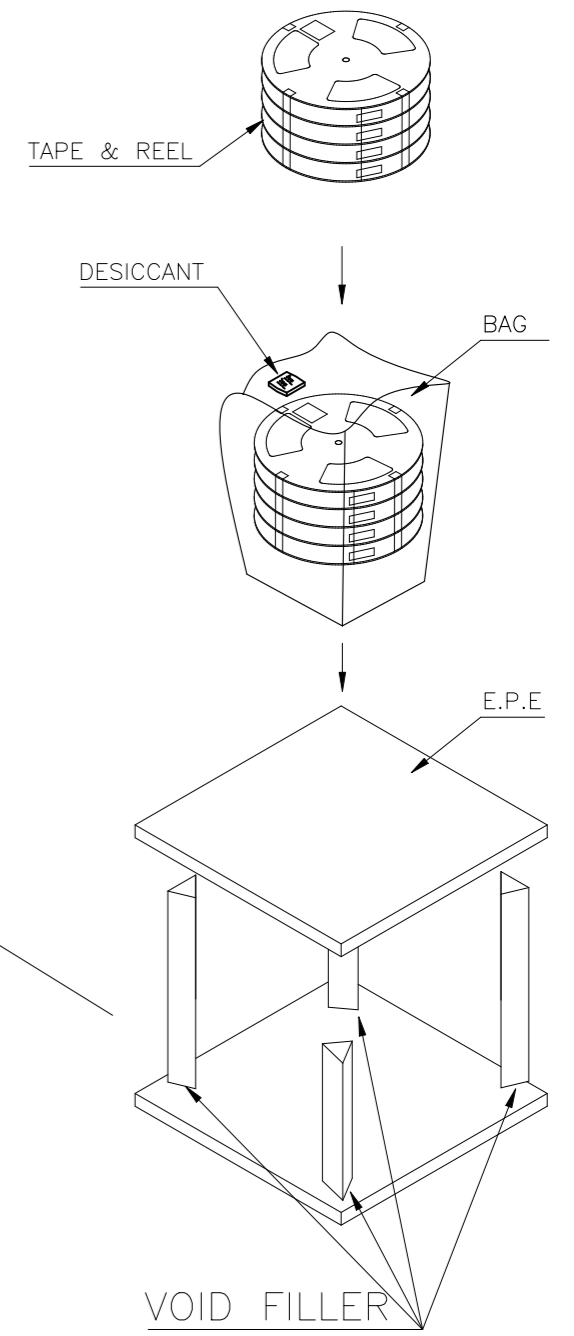
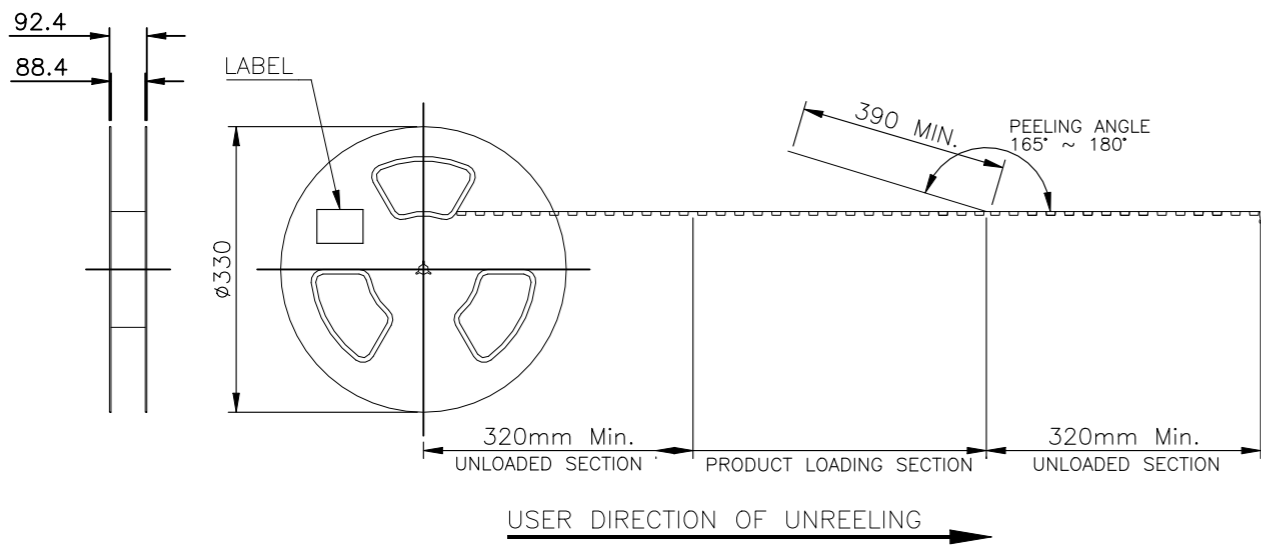
DWN	29JUN2022
TONY LI	
CHK	29JUN2022
HOPE LU	
APVD	29JUN2022
HOPE LU	
PRODUCT SPEC	
108-57560	
APPLICATION SPEC	
WEIGHT	0

TE Connectivity Ltd.		NAME	
		ATX POWER CONNECTOR 4.2mm PITCH, VERTICAL, DIP TYPE	
SIZE	CAGE CODE	DRAWING NO	RESTRICTED TO
A3	00779	C-1775099	-
CUSTOMER DRAWING		SCALE	SHEET
		1:1	7 of 8
		REV	J3

P	LTR	DESCRIPTION	DATE	DWN	APVD
-	-	SEE SHEET 1	-	-	-

NOTES:

- MATERIAL:  
 BOX: FIBREBOARD, CORRUGATED, DOUBLE WALL.  
 COVER TAPE: PET, TRANSPARENT COLOR.  
 CARRIER TAPE: POLYSTYRENES, BLACK COLOR.  
 REEL: POLYSTYRENES, BLUE COLOR.  
 BAG: POLYETHYLENE.
- PEELING STRENGTH: 0.1 ~ 1.3 N (10 ~ 130 GRAMS)
- PEELING SPEED: 300 mm/min.
- EACH BAG SHALL BE INCLUDED DESICCANT.



1.95 KG	120	3	360	24	3-1775099-9
NET WEIGHT	PCS/ REEL	REEL/ BOX	PCS/ BOX	POS.	PART NUMBER

THIS DRAWING IS A CONTROLLED DOCUMENT.		DWN TONY LI 29JUN2022	TE Connectivity Ltd.			
DIMENSIONS: mm		CHK HOPE LU 29JUN2022				
TOLERANCES UNLESS OTHERWISE SPECIFIED:		APVD HOPE LU 29JUN2022	NAME			
0 PLC ± - 1 PLC ± - 2 PLC ± - 3 PLC ± - 4 PLC ± - ANGLES ± -		PRODUCT SPEC 108-57560	ATX POWER CONNECTOR 4.2mm PITCH, VERTICAL, DIP TYPE			
MATERIAL -		APPLICATION SPEC -	SIZE	CAGE CODE	DRAWING NO	RESTRICTED TO
		WEIGHT 0	A3	00779	C-1775099	-
CUSTOMER DRAWING			SCALE 1:1	SHEET 8 OF 8	REV J3	