

# RECEPTACLES COMBINING THE AMPLIVAR SPLICE AND THE FASTON QUICK CONNECT

## SPECIALLY DESIGNED FOR COMPRESSORS

TE Connectivity's (TE) receptacles combining the AMPLIVAR splice and the FASTON quick connect are designed to simplify magnet wire connections in compressor motor production. This solution combines the interface of a FASTON quick connect with the insulation piercing design of AMPLIVAR splices. The result is a direct connection to magnet wire, eliminating the need for a separate stranded wire terminal connection to input/output devices. This receptacle will help to increase production efficiency and reduce the cost of raw materials by crimping directly to magnet wire, without pre-stripped wire, lead wire, or soldering. The unique wire barrel design, with serrations and burrs, is adaptable to Al (aluminum) magnet wire systems and produces a superior metal-to-metal compression crimp with excellent tensile strength.

### ELECTRICAL

- Operating voltage: 240 VAC

### MECHANICAL

- Operating temperature: - 40°C to 105°C
- Thermal shock: 25 cycles

### MATERIALS

- Contact: copper alloy, tin plated

### STANDARDS & SPECIFICATIONS

- UL310
- Application Specification: [114-2152](#)
- Product Specification: [108-2086](#)

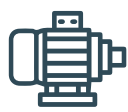
### KEY FEATURES

- Contact is available for copper and/or aluminum magnet wire
- Compact wire connection with excellent tensile strength for vibration resistance
- High quality, high rate terminations with a statistical process controlled termination process
- Quick connection to hermetic header
- Compression crimp eliminates cold solder points, weld burns and many contaminants
- Capable of crimping up to three magnet wires together (for >3 magnet wire crimping situation, please contact TE engineers for dedicated solutions)

### APPLICATIONS



Compressors



Motor windings



Coil connections



Solid wire connections



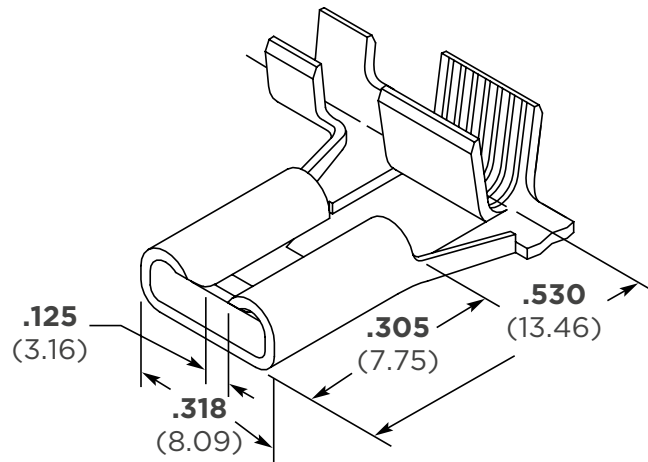
Transformers



Power supplies

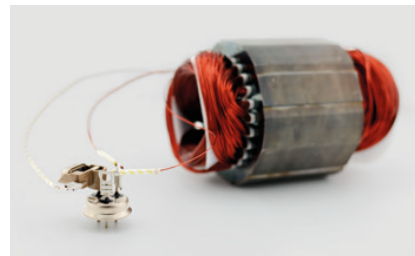
# RECEPTACLES COMBINING THE AMPLIVAR SPLICE AND THE FASTON QUICK CONNECT

## PRODUCT DIMENSIONS



## PRODUCT OFFERING

Magnet Wire Range (CMA)	Mating Area	Part Number	Applicator Part Number
500-1900	6.35x0.81	<a href="#">1742881-1</a>	1855633
1000-2700	6.35x0.81	<a href="#">1742882-1</a>	1855634
1500-4220	6.35x0.81	<a href="#">1742977-1</a>	1855680
4000-8500	6.35x0.81	<a href="#">1742979-1</a>	1855681



## te.com

TE Connectivity, TE Connectivity (logo), AMPLIVAR and FASTON are trademarks owned or licensed by the TE Connectivity Ltd. family of companies. All other logos, products and/or company names referred to herein might be trademarks of their respective owners.

While TE has made every reasonable effort to ensure the accuracy of the information in this brochure, TE does not guarantee that it is error-free, nor does TE make any other representation, warranty or guarantee that the information is accurate, correct, reliable or current. TE reserves the right to make any adjustments to the information contained herein at any time without notice. TE expressly disclaims all implied warranties regarding the information contained herein, including, but not limited to, any implied warranties of merchantability or fitness for a particular purpose. The dimensions in this catalog are for reference purposes only and are subject to change without notice. Specifications are subject to change without notice. Consult TE for the latest dimensions and design specifications.

© 2023 TE Connectivity. All Rights Reserved.

06/23