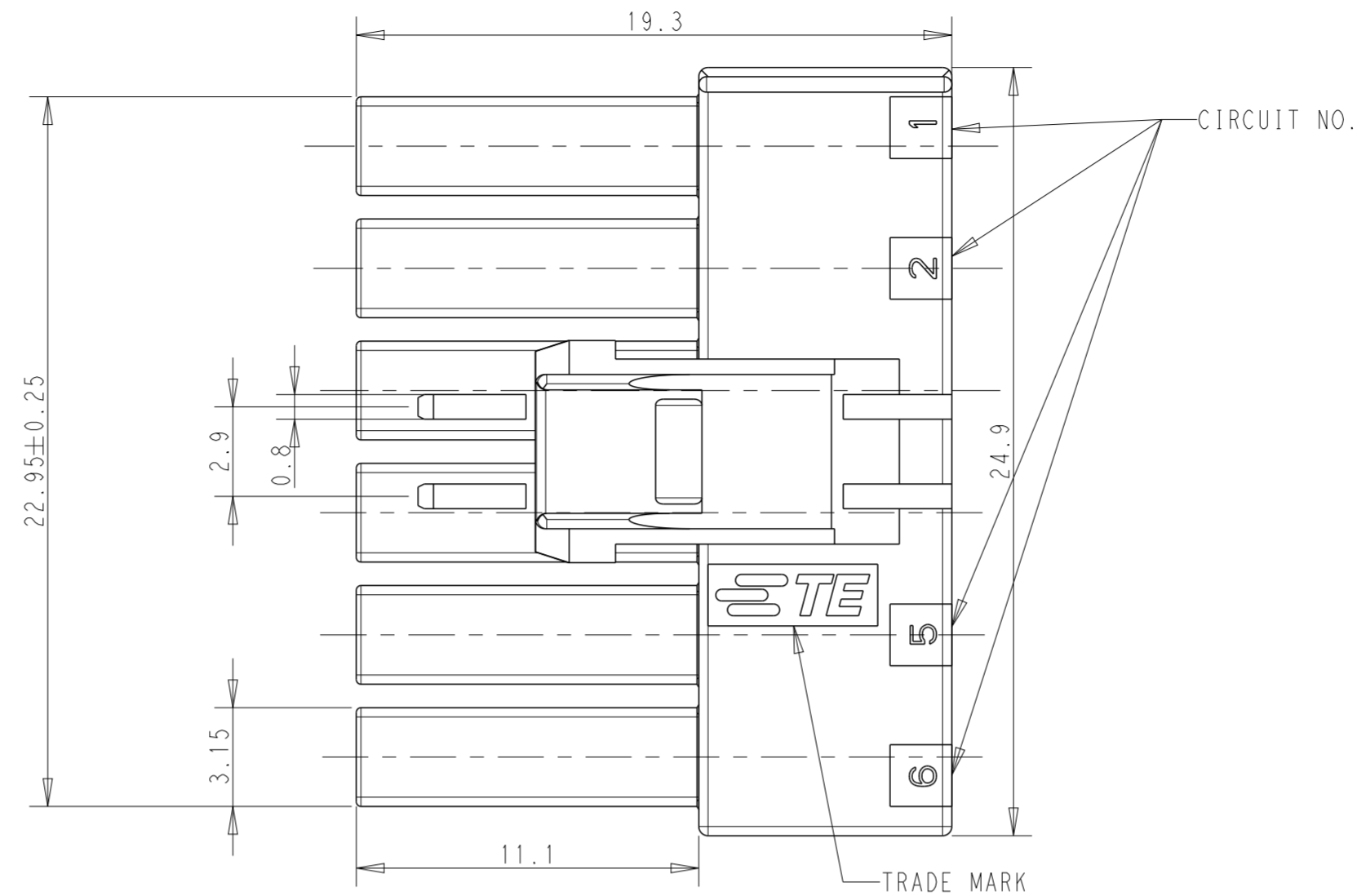
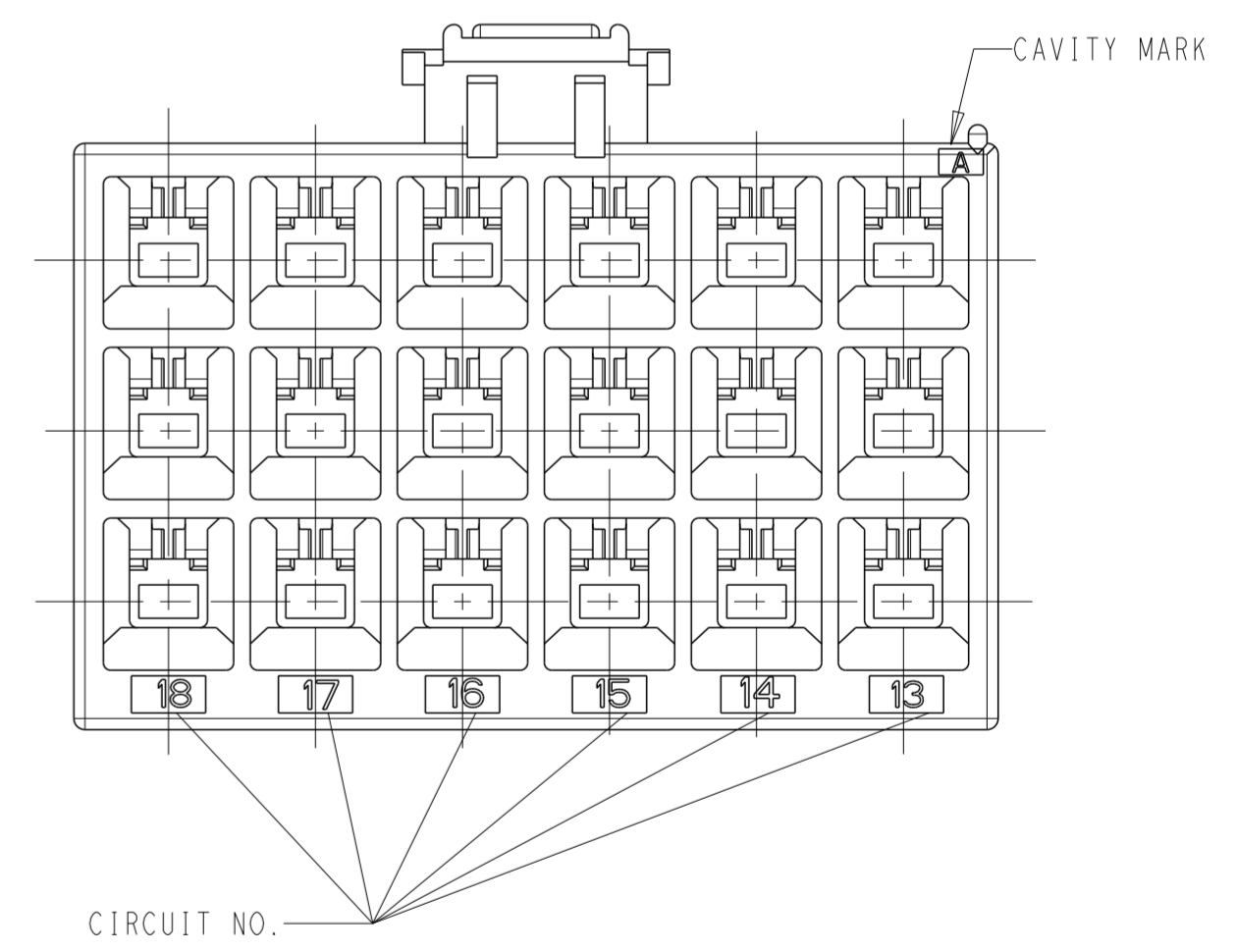
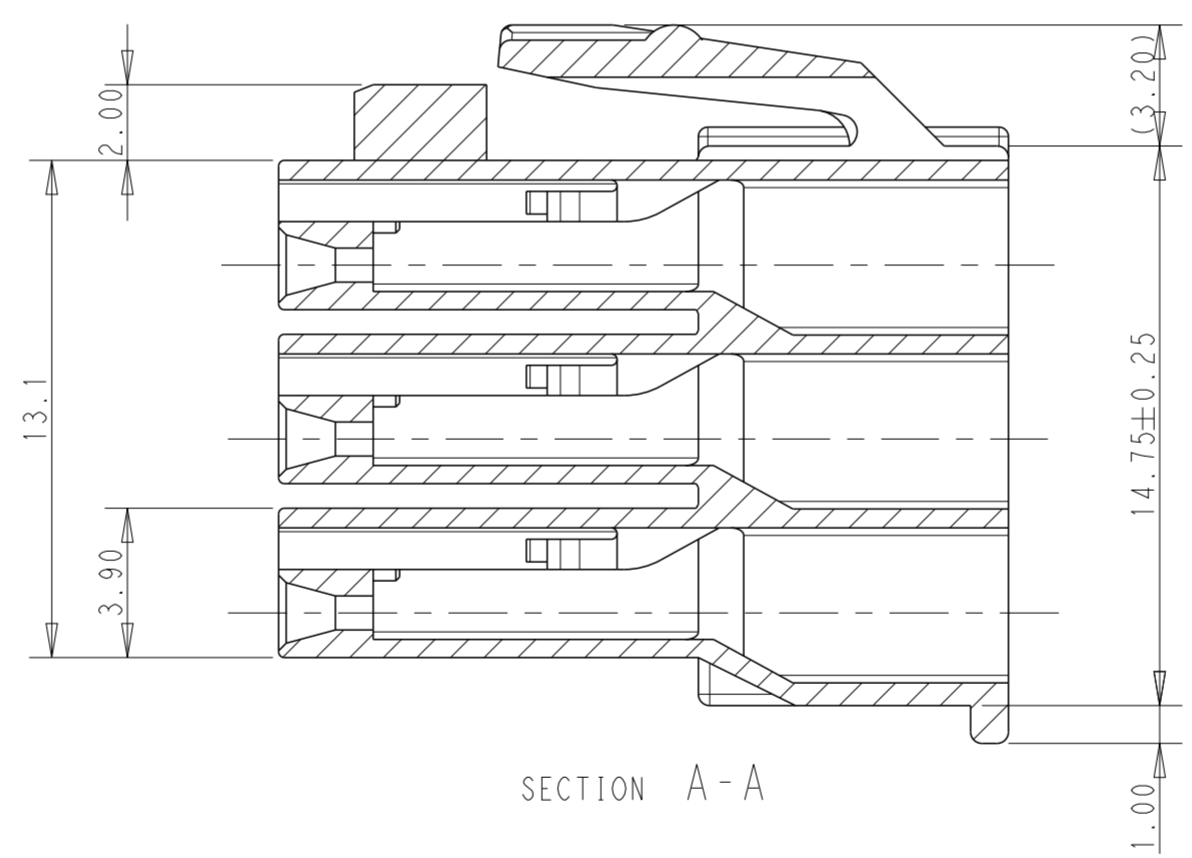
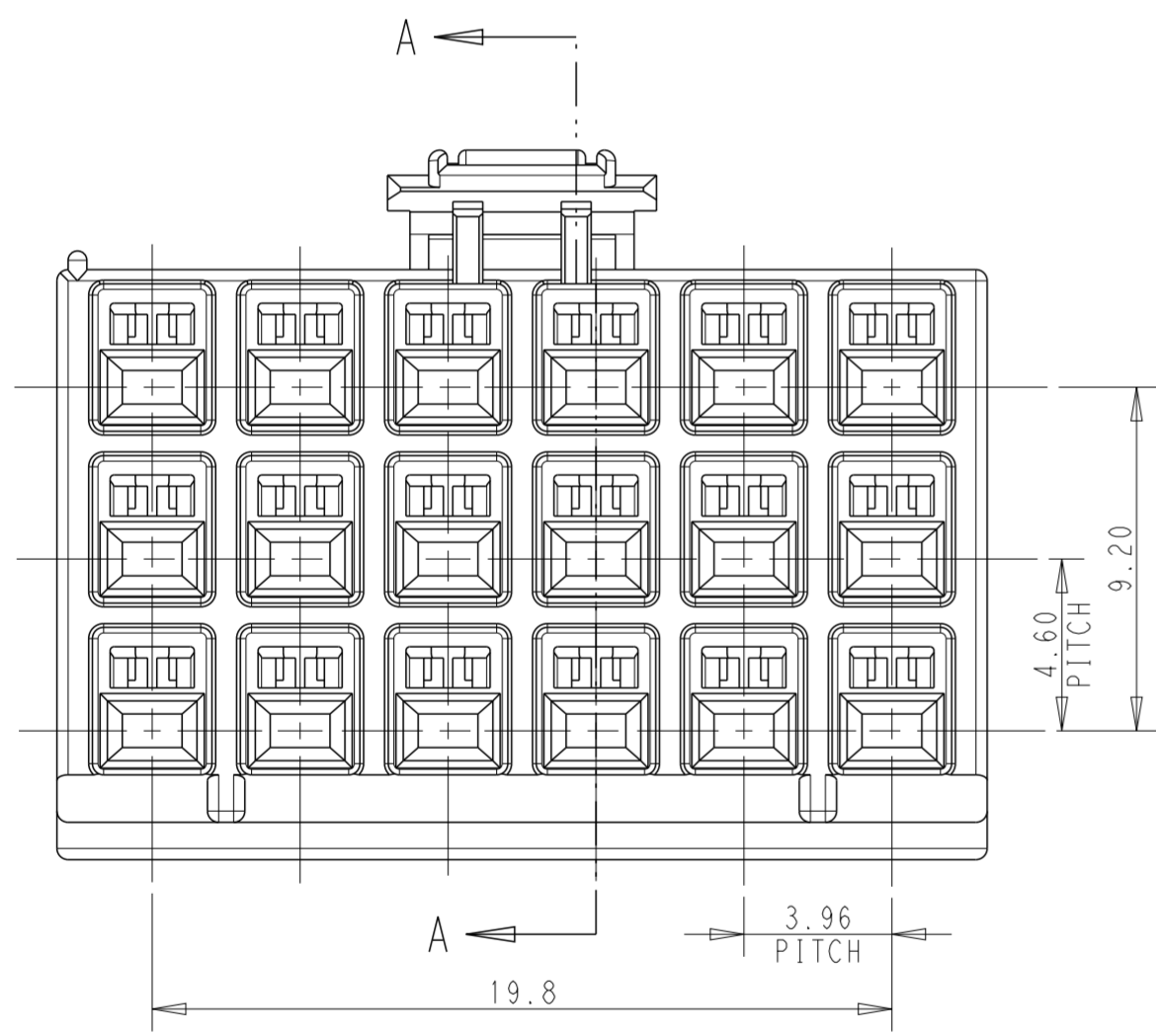


REVISIONS					
P	LTR	DESCRIPTION	DATE	DWN	APVD
	C	REVISED PER ECR-20-100642	19SEP2022	M.G	D.Z



- 1 APPLICABLE CONTACT P/N:  
 REC CONTACT: 175152- (20-16 AWG)  
 175151- (26-22 AWG)
- 2 MATING CONN.P/N:  
 CAP HSG: 176290- (FREE HANGING)  
 176300- (PANEL MOUNT)  
 TAB CONTACT: 175150- (20-16 AWG)  
 175149- (26-22 AWG)
- 3 INSTRUCTION SHEET: IS-503J.



DEVELOPMENT	HOUSING COLOR	POSITION	PART NUMBER
	BLACK	18	176280-9
	BLUE	18	176280-6
	YELLOW	18	176280-4
	RED	18	176280-2
	NATURAL	18	176280-1

THIS DRAWING IS A CONTROLLED DOCUMENT.

DIMENSIONS: mm	TOLERANCES UNLESS OTHERWISE SPECIFIED: 0 PLC ± 1 PLC ±0.25 2 PLC ±0.20 3 PLC ± 4 PLC ± ANGLES ±3° FINISH -	MATERIAL NYLON 6/6 (UL94V-0)	DWN M. SHINDO 23NOV1989 CHK Y. FUJITA 23NOV1989 APVD N. ONOUE 23NOV1989	PRODUCT SPEC 108-5302 APPLICATION SPEC 114-5142 WEIGHT -	RESTRICTED CUSTOMER
-------------------	---	------------------------------------	--	---	---------------------

SCALE 5:1 SHEET 1 OF 1 REV C

AMP UNIVERSAL POWER CONN 3.96MM PITCH 18 POS PLUG HSG (TPL ROW)

SIZE A2 CAGE CODE 00779 DRAWING NO. C-176280