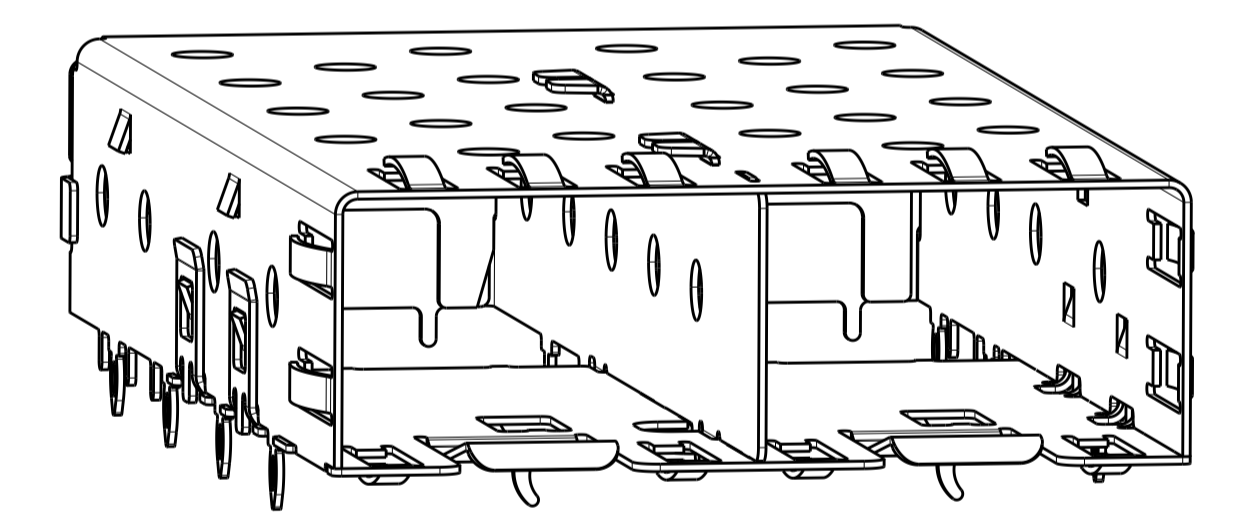
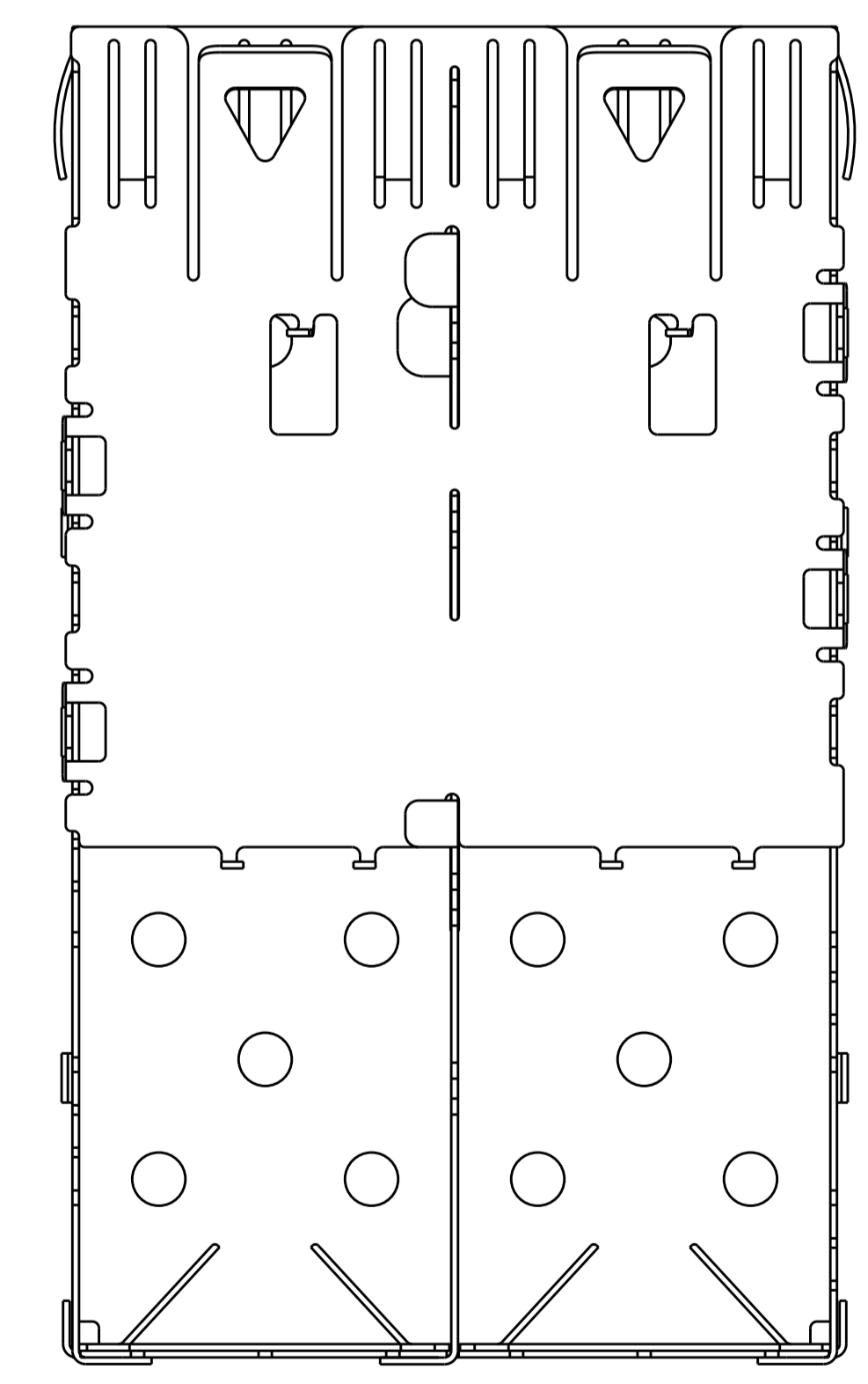
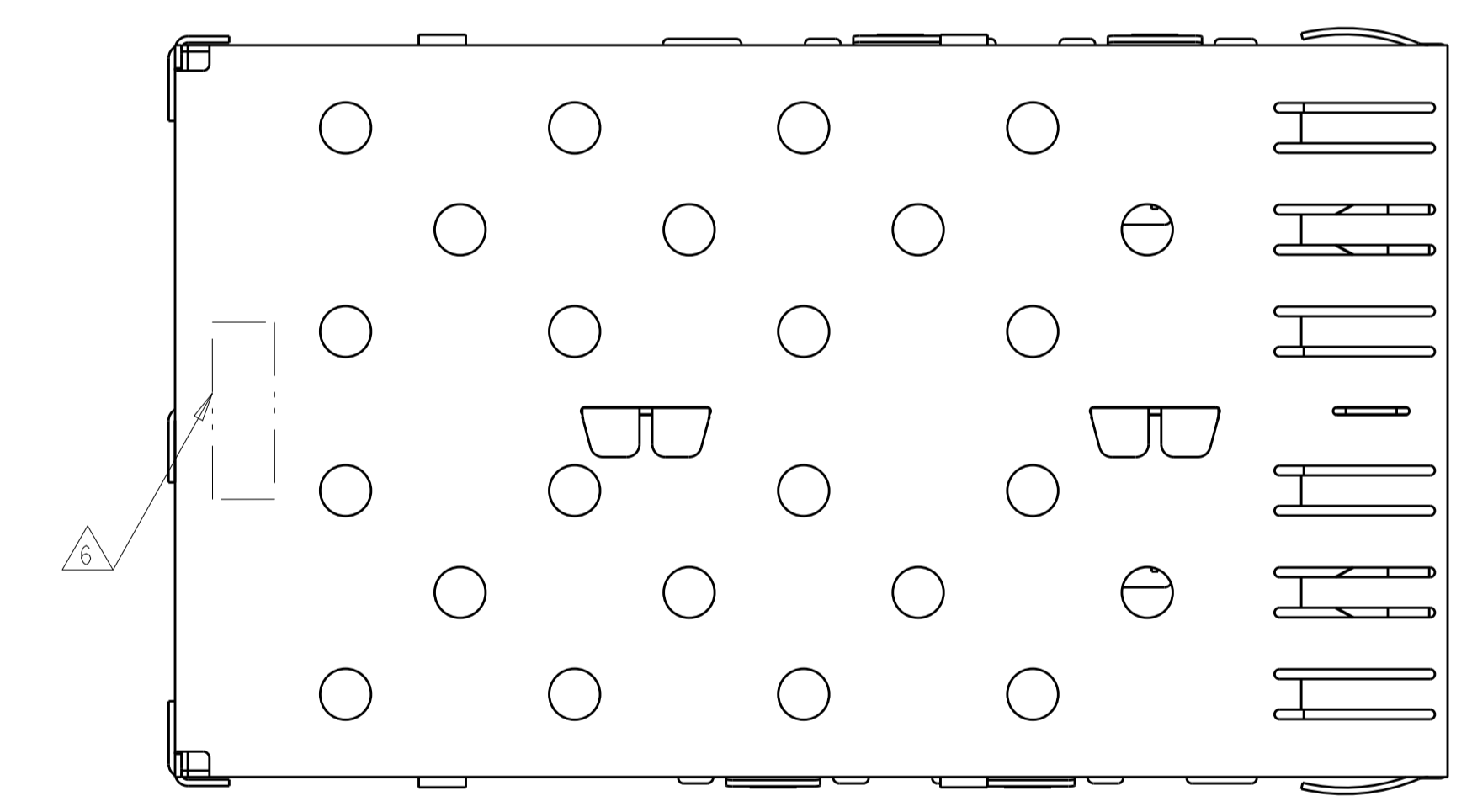
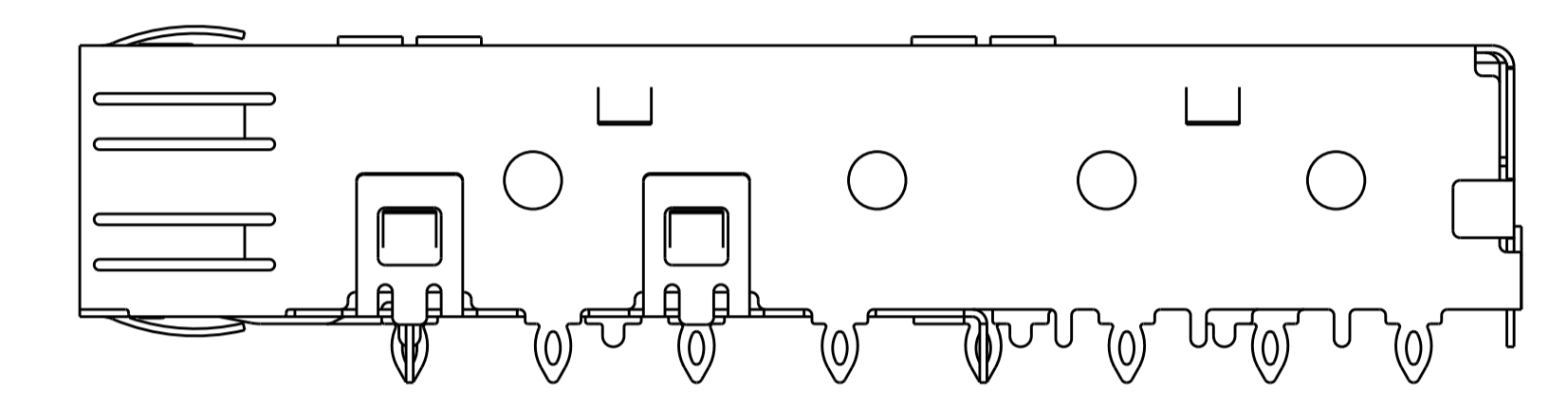
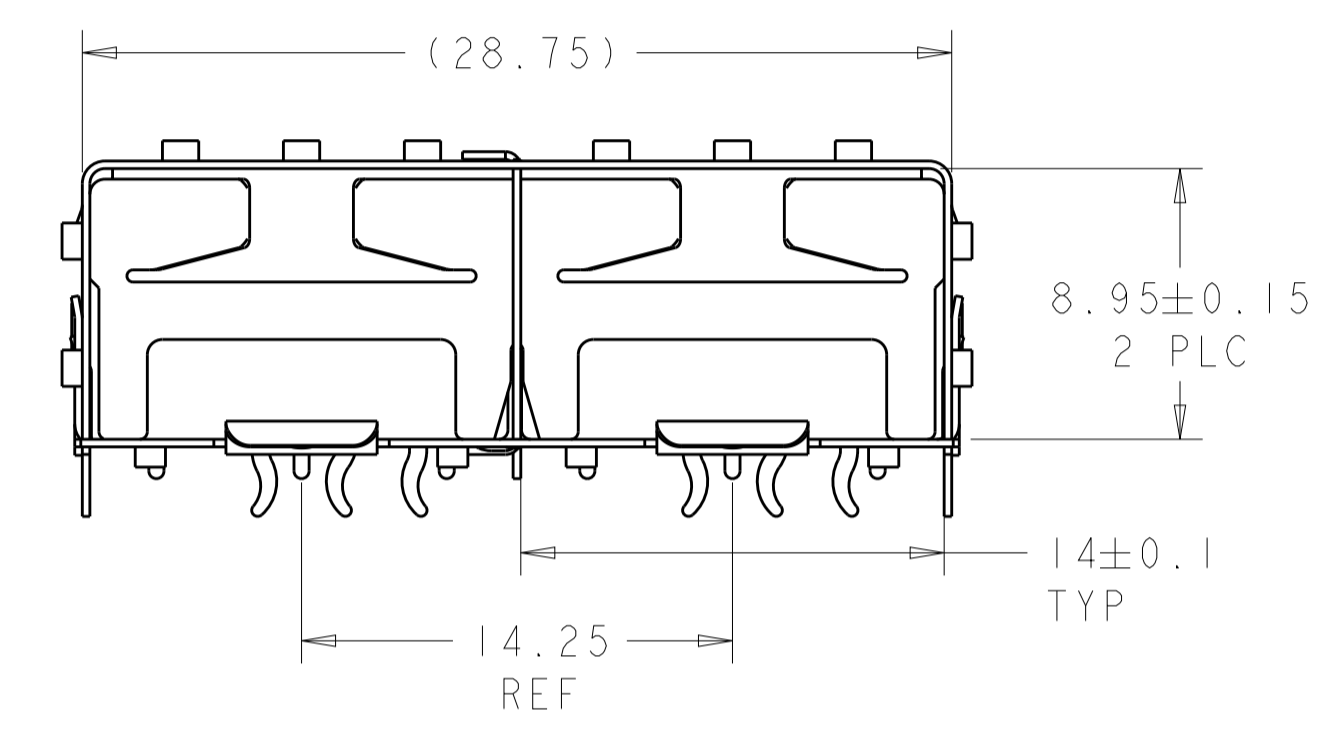
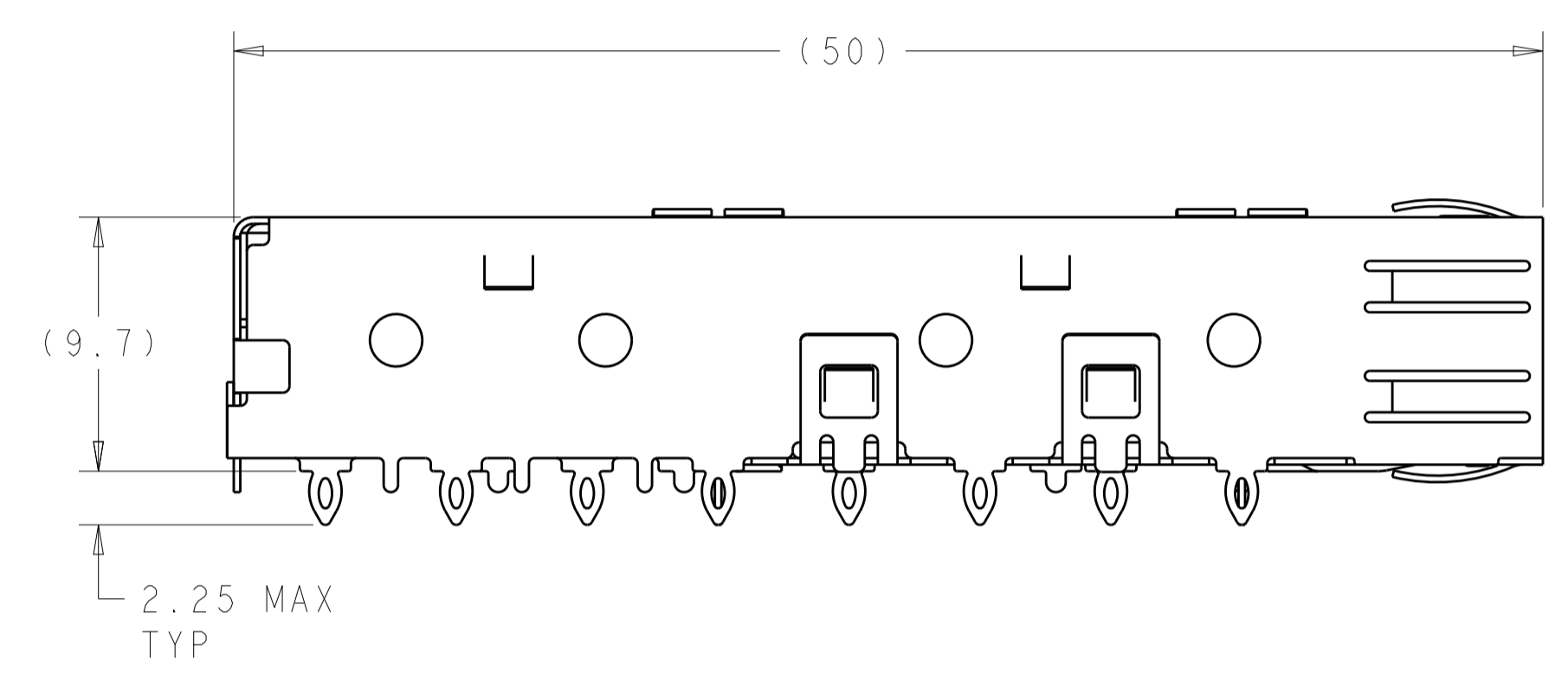
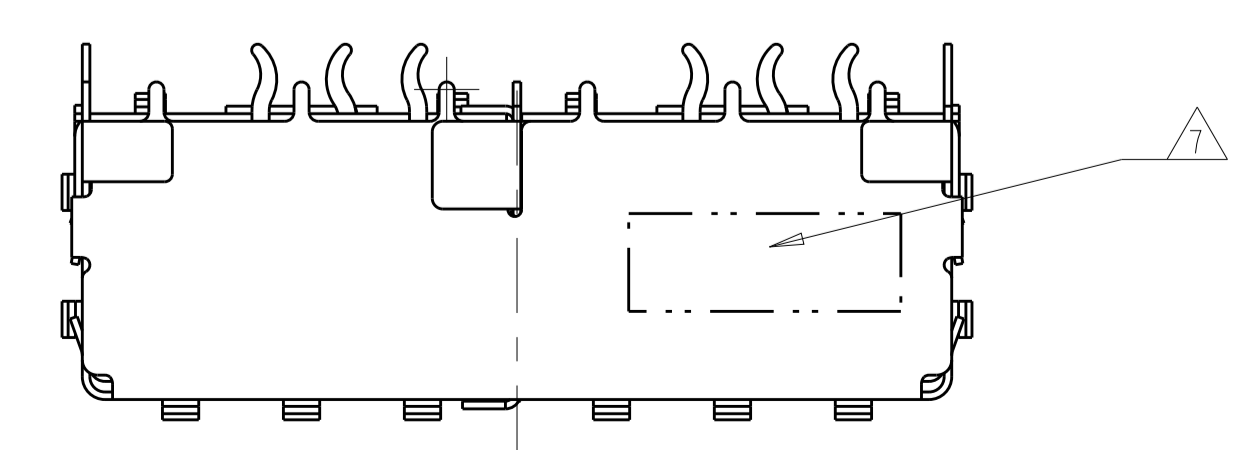


LOC	DIST	REVISIONS					
		P	LTN	DESCRIPTION	DATE	DWN	APVD
GP	00						
		D1		REVISED PER ECO-11-005027	10MAY2011	RK	HMR
		E		REVISED PER ECO-14-000886	20FEB2014	JW	SH
		E1		REVISED PER ECO-14-010419	11JUL2014	JW	SH
		F		REVISED PER ECO-15-013594	25SEP2015	JW	SH

- 1 MATERIAL: COPPER ALLOY.
- 2 FINISH: TIN PLATING PER ASTM B 545, 1.25μm MINIMUM THICKNESS ALL OVER NICKEL FLASH PER QQ-N-290. NONPLATED EDGES PERMISSIBLE.
- 3 PADS AND VIAS CHASSIS GROUND.
- 4 DATUM AND BASIC DIMENSIONS ESTABLISHED BY CUSTOMER.
- 5 REFERENCE APPLICATION SPEC 114-13120, HOLE A, FOR RECOMMENDED DRILL HOLE DIAMETER AND PLATING THICKNESSES.
- 6 COMPANY LOGO IN APPROXIMATE AREA SHOWN
- 7 DATE CODE AND PART NUMBER IN APPROXIMATE AREA SHOWN.
- 8 MATERIAL: NICKEL SILVER ALLOY (NO PLATING)



1761014-1&3
 1X2 CAGE ASSEMBLY
 SCALE 4:1

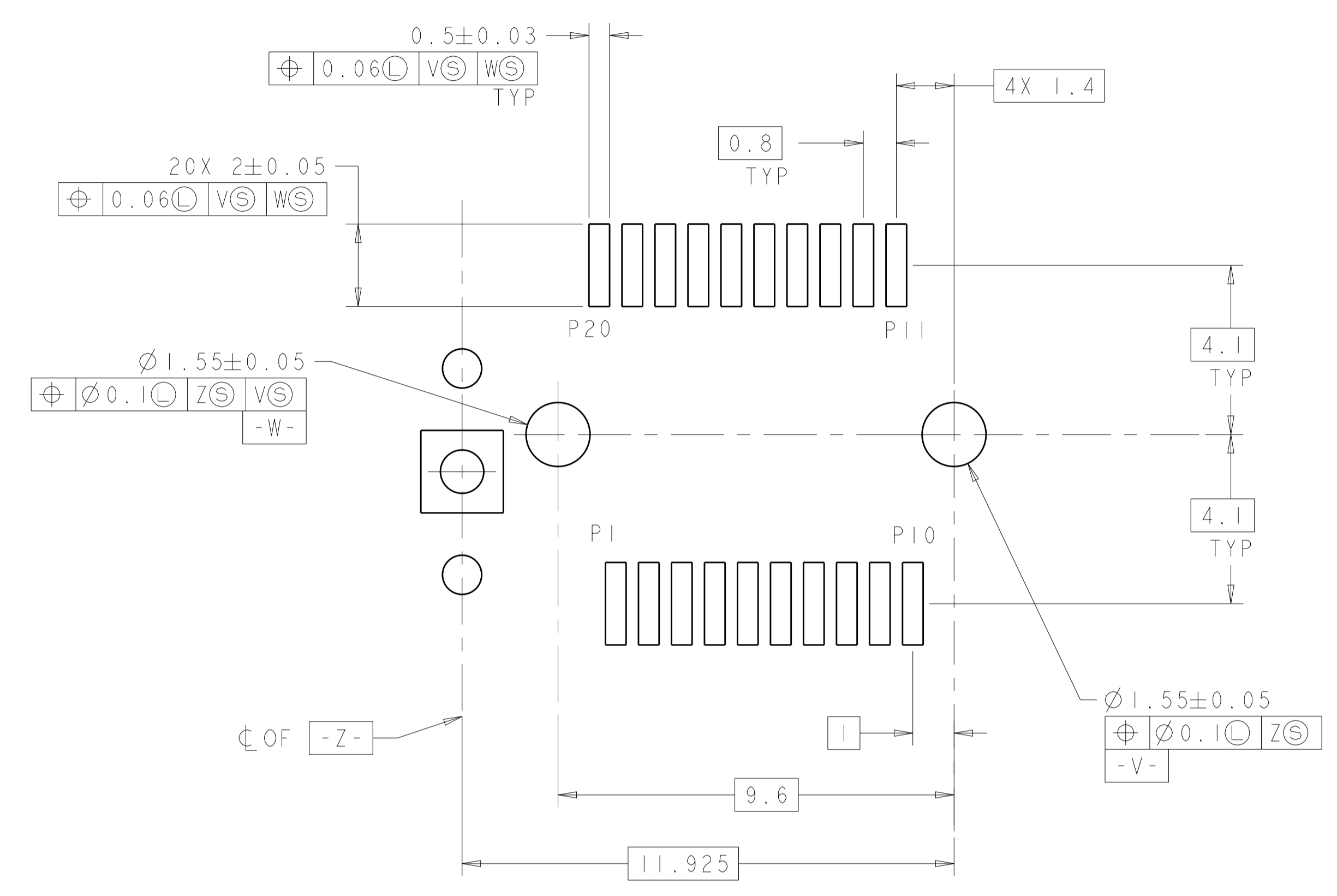
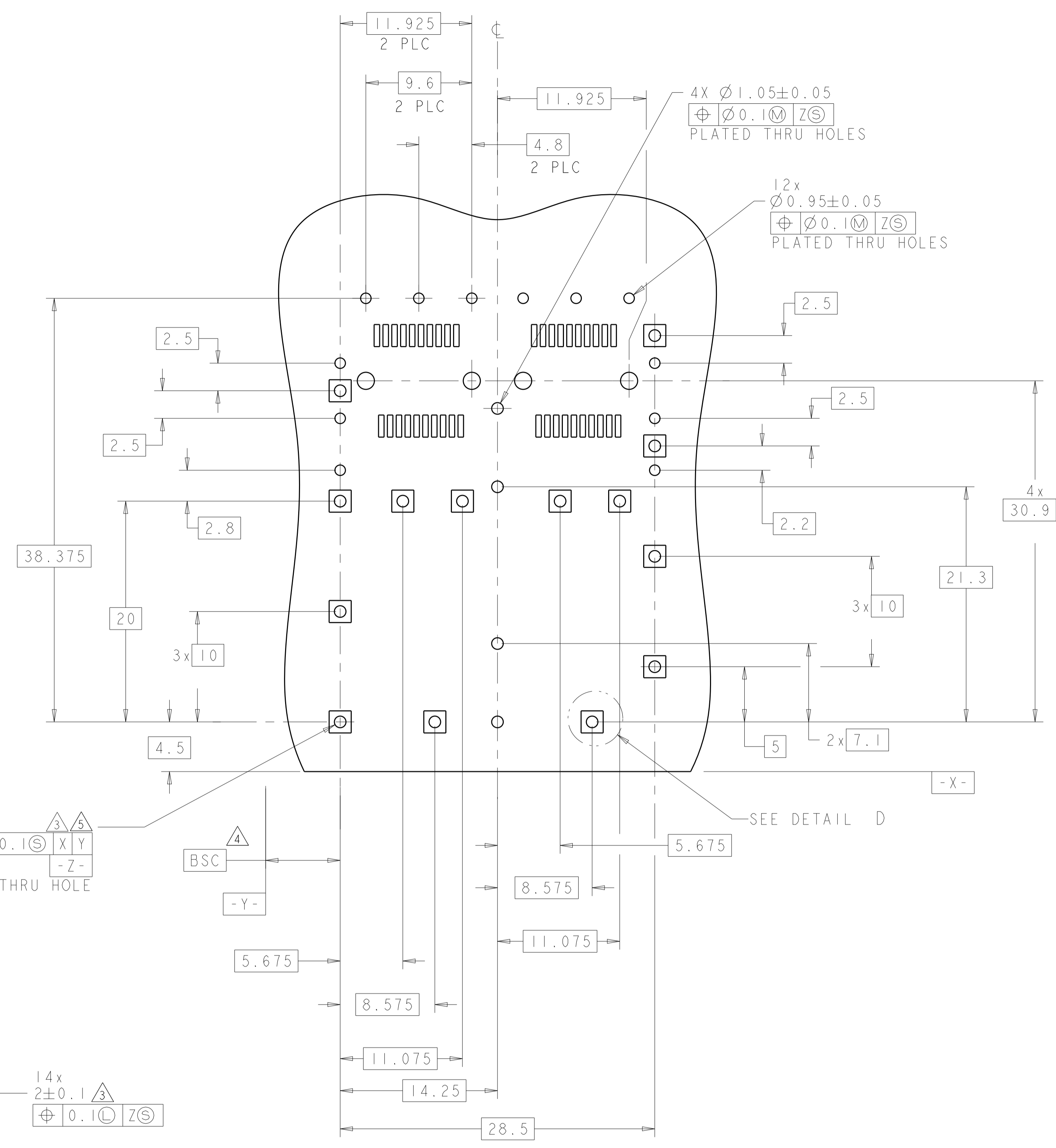


SUPERSEDED BY:
 1761014-3

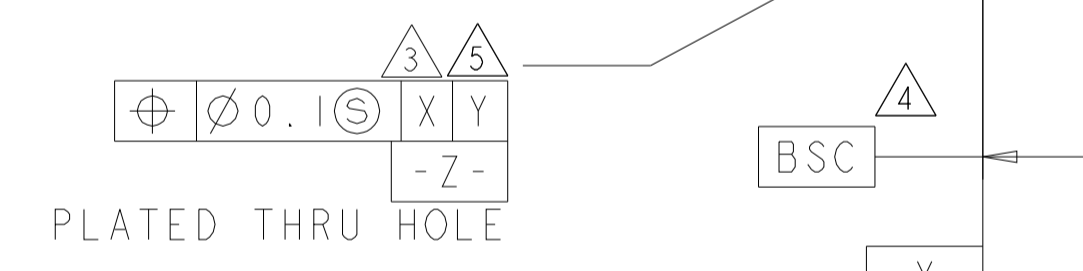
NO	8	1 x 2 CAGE	1761014-3
2	1	1 x 2 CAGE	1761014-1
FINISH	MATERIAL	DESCRIPTION	PART NO

THIS DRAWING IS A CONTROLLED DOCUMENT.		DWN: J. VAN SCOY, 15MAR2004	TE Connectivity ASSEMBLY, CAGE, 1X2 PRESS FIT, SFP
DIMENSIONS:		CHK: M.J. PHILLIPS, 15MAR2004	
TOLERANCES UNLESS OTHERWISE SPECIFIED:		APVD: M.J. PHILLIPS, 15MAR2004	
mm 0 PLC ± 1 PLC ±0.10 2 PLC ± 3 PLC ± 4 PLC ± ANGLES ±2°		NAME: PRODUCT SPEC 108-1950 APPLICATION SPEC 114-13120 WEIGHT: - CUSTOMER DRAWING	
MATERIAL: 1		FINISH: 2	SIZE: CAGE CODE DRAWING NO: A100779 C=1761014 SCALE: 4:1 SHEET 1 OF 2 REV F

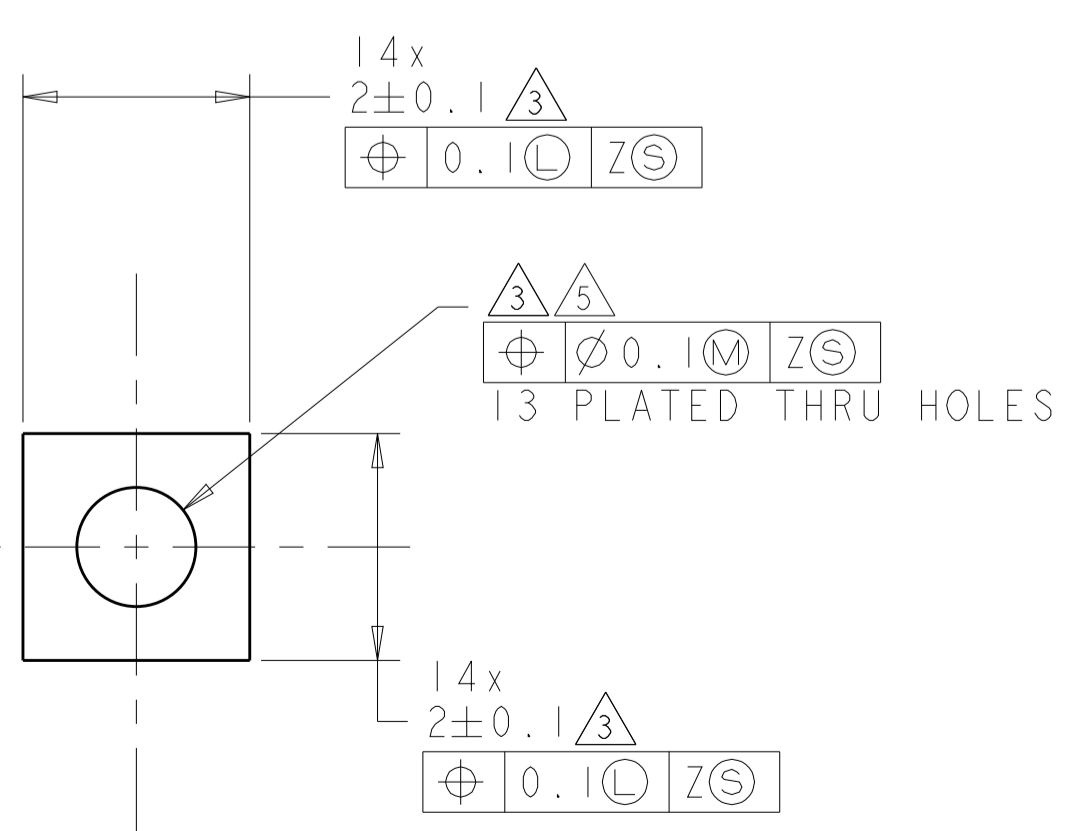
LOC		DIST		REVISONS			
GP	00	P	LTN	DESCRIPTION	DATE	DMN	APVD
		-		SEE SHEET 1			



PT CONNECTOR
 RECOMMENDED PCB
 CONFIGURATION
 SCALE 10:1



RECOMMENDED PC BOARD
 CONFIGURATION
 SCALE 4:1



DETAIL D
 SCALE 15:1

THIS DRAWING IS A CONTROLLED DOCUMENT.		DMN: W. VAN SCOY, 15MAR2004	TE Connectivity
DIMENSIONS: mm		CHK: M.J. PHILLIPS, 15MAR2004	
TOLERANCES UNLESS OTHERWISE SPECIFIED:		APVD: M.J. PHILLIPS, 15MAR2004	NAME: ASSEMBLY, CAGE, 1X2 PRESS FIT, SFP
0 PLC	±	PRODUCT SPEC	SIZE: CAGE CODE DRAWING NO
1 PLC	±0.10	APPLICATION SPEC	RESTRICTED TO
2 PLC	±	114-13120	A100779C=1761014
3 PLC	±	WEIGHT	SCALE 4:1 SHEET 2 OF 2 REV F
4 PLC	±	CUSTOMER DRAWING	
ANGLES	±2°		
MATERIAL			
FINISH			