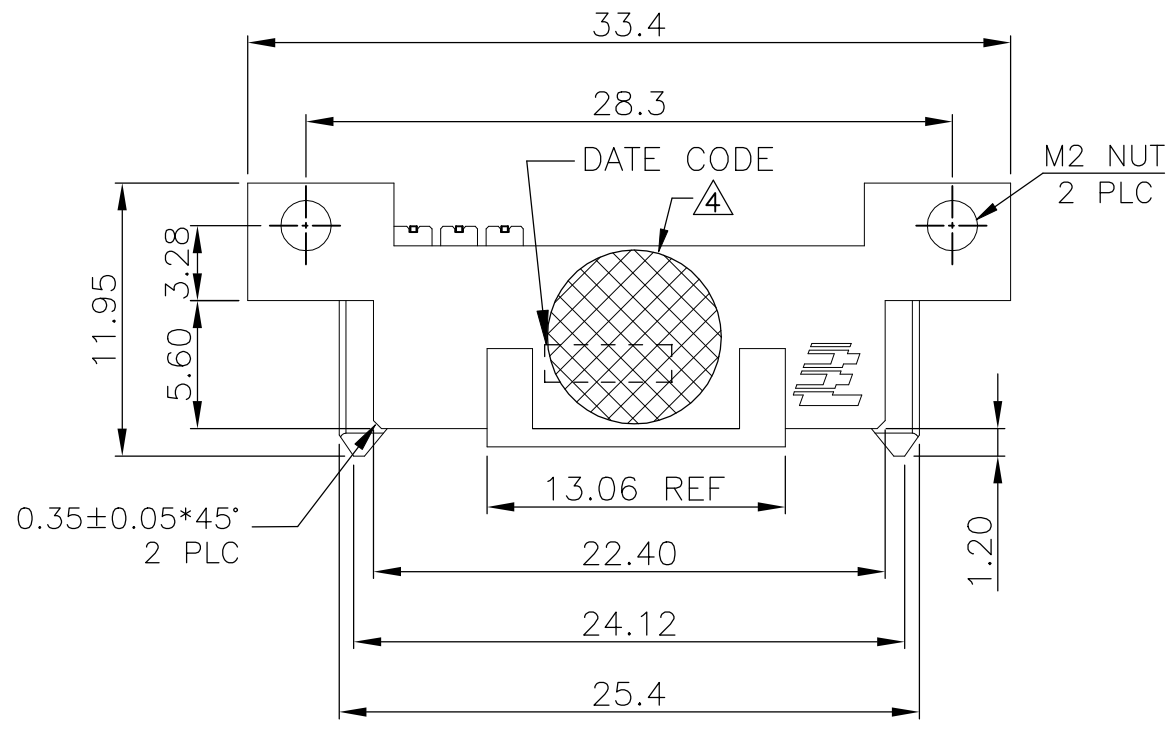
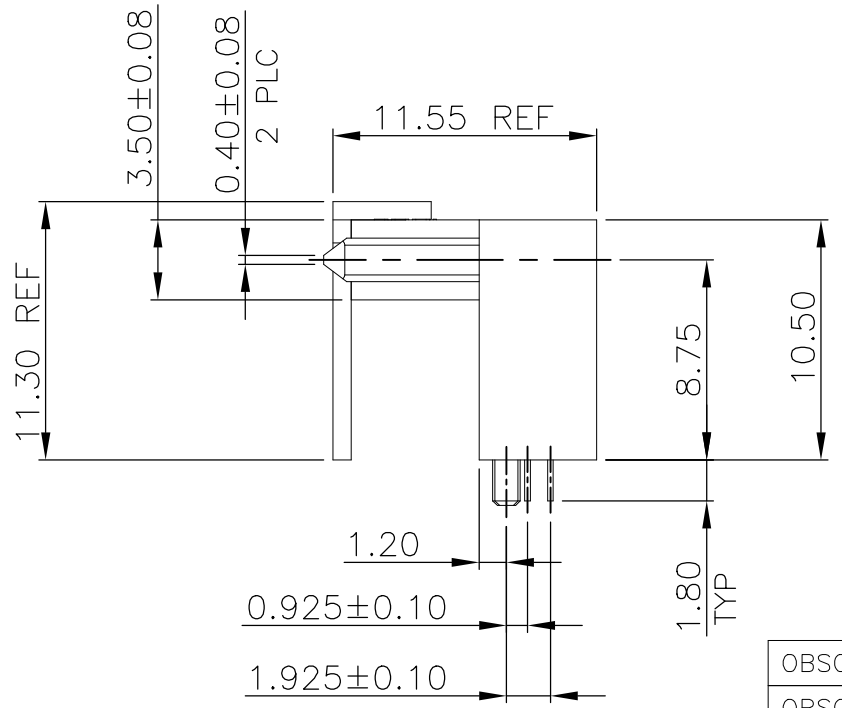
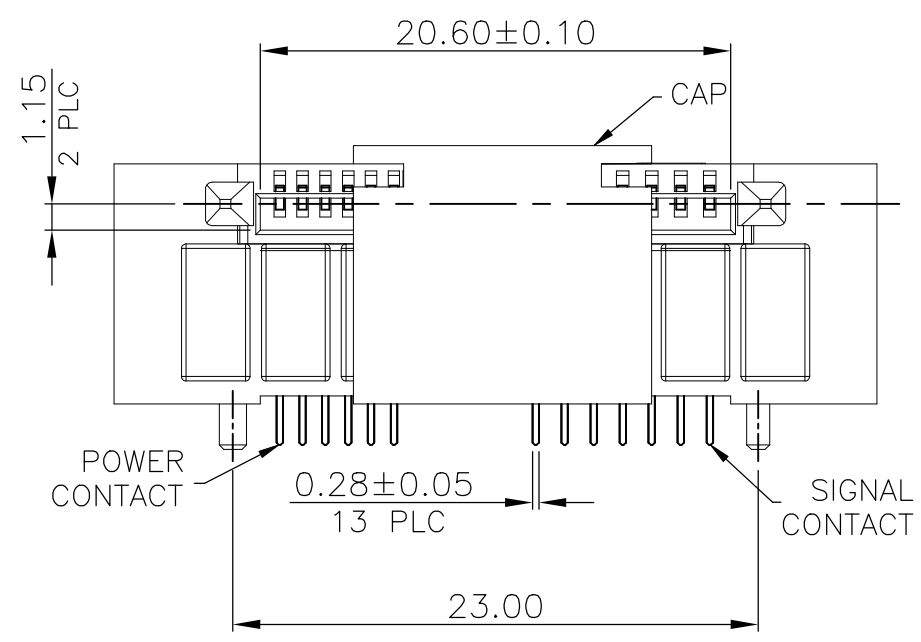


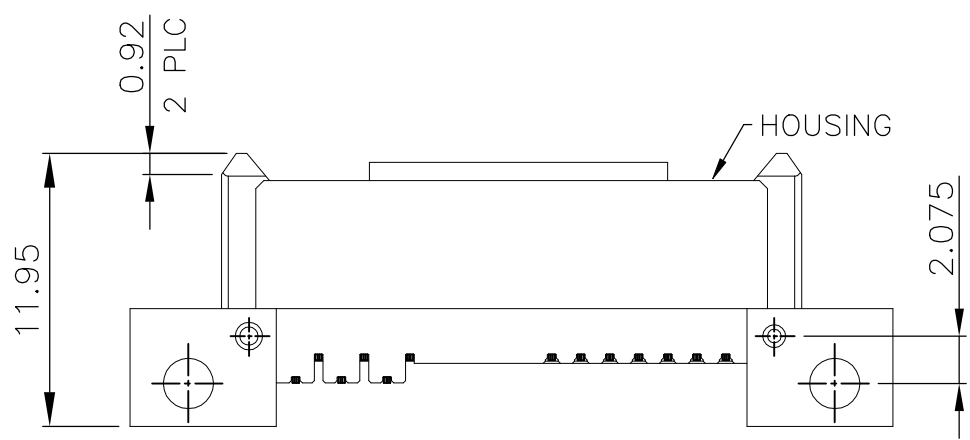
LOC		DIST		REVISIONS			
P	LTR	DESCRIPTION		DATE	DWN	APVD	
	F	REVISED (ECR-17-018729)		11APR2018	EZ	WK	



- NOTES:
- MATERIAL:
HOUSING: HIGH TEMP THERMOPLASTIC(LCP), UL94V-0, BLACK COLOR.
CONTACT: PHOSPHOR BRONZE.
CAP: HIGH TEMP THERMOPLASTIC(LCP), UL94V-0, BLACK COLOR.
NUT: STAINLESS STEEL.
 - FINISH:
GOLD PLATED ON CONTACT AREA: (SEE TABLE)
2.54um[100u"] MIN. MATTE TIN PLATING ON SOLDER TAIL.
1.27um[50u"] MIN. NICKEL ENTIRE CONTACT UNDERPLATED.
 - REFLOW SOLDER CAPABLE TO 260°C PER TEST SPEC. 109-201, CONDITION B.
- △ PICK & PLACE VACUUM AREA.
⑤ NO CUMULATIVE TOLERANCE.



	W/O CAP WEIGHT	W/CAP WEIGHT	GOLD PLATING MIN.	PART NUMBER
OBSOLETE	2.1 g	2.35 g	0.76um[30u"]	1759981-9
OBSOLETE	2.1 g	2.35 g	0.38um[15u"]	1759981-8
OBSOLETE	2.1 g	2.35 g	G/F	1759981-7



THIS DRAWING IS A CONTROLLED DOCUMENT.		DWN J. LAI 08SEP2009	Tyco Electronics Corporation Taipei, Taiwan	
DIMENSIONS: MM		CHK S. CHIEN 08SEP2009	NAME	
TOLERANCES UNLESS OTHERWISE SPECIFIED: 0 PLC ± - 1 PLC ± 0.3 2 PLC ± 0.2 3 PLC ± 0.15 4 PLC ± - ANGLES ± 3'		APVD W. KODAMA 08SEP2009	SLIMLINE SATA RECEPTACLE, BOTTOM MOUNT, DIP, NUT TYPE	
MATERIAL SEE NOTE		PRODUCT SPEC 108-99008	SIZE A3	RESTRICTED TO
FINISH SEE NOTE		QUALIFICATION TEST REPORT 501-99009	CAGE CODE 00779	DRAWING NO C=1759981
CUSTOMER DRAWING			SCALE -	SHEET 1 OF 3
			REV F	

THIS DRAWING IS UNPUBLISHED.

RELEASED FOR PUBLICATION

AUG ,2006.

© COPYRIGHT - BY TYCO ELECTRONICS CORPORATION.

ALL RIGHTS RESERVED.

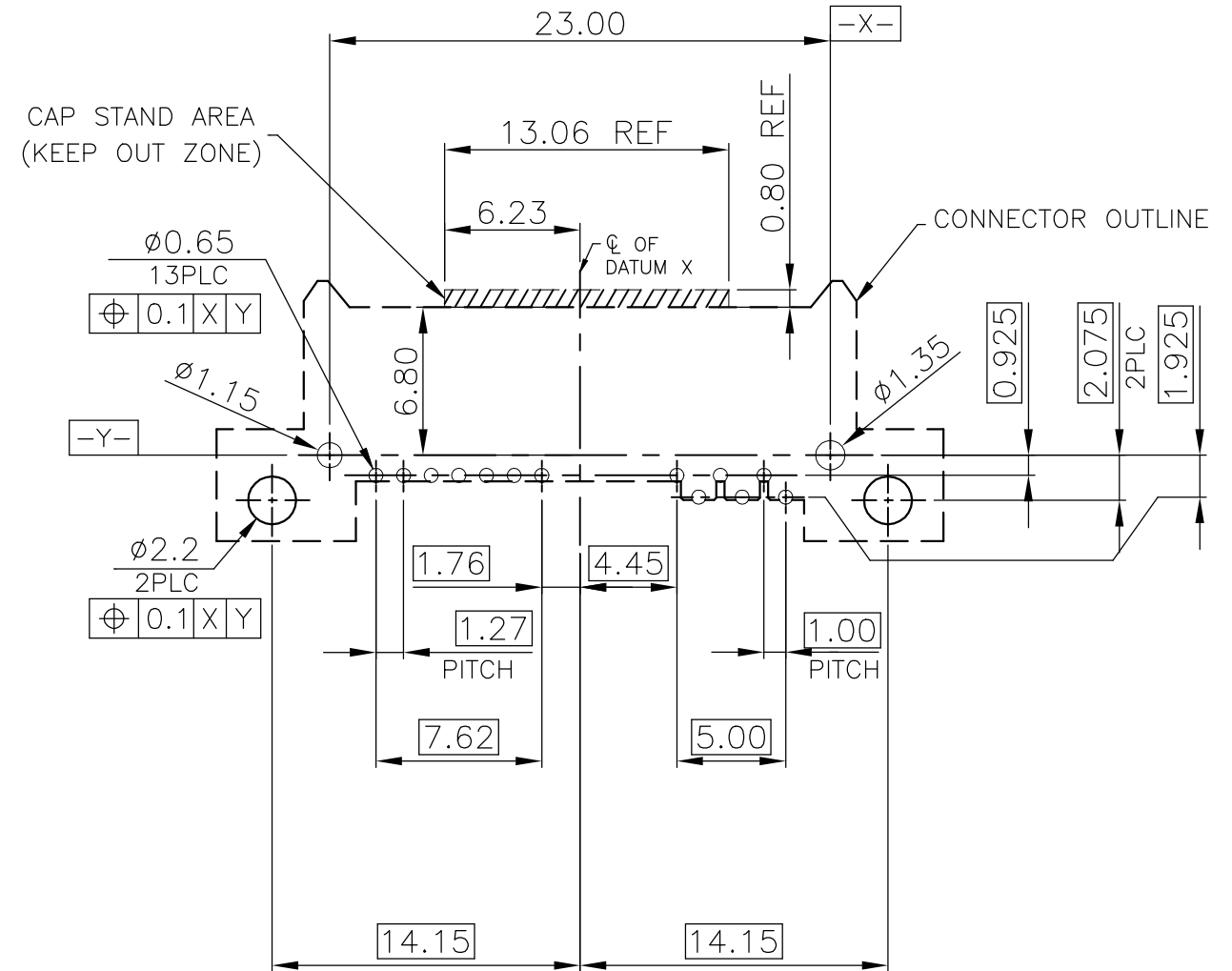
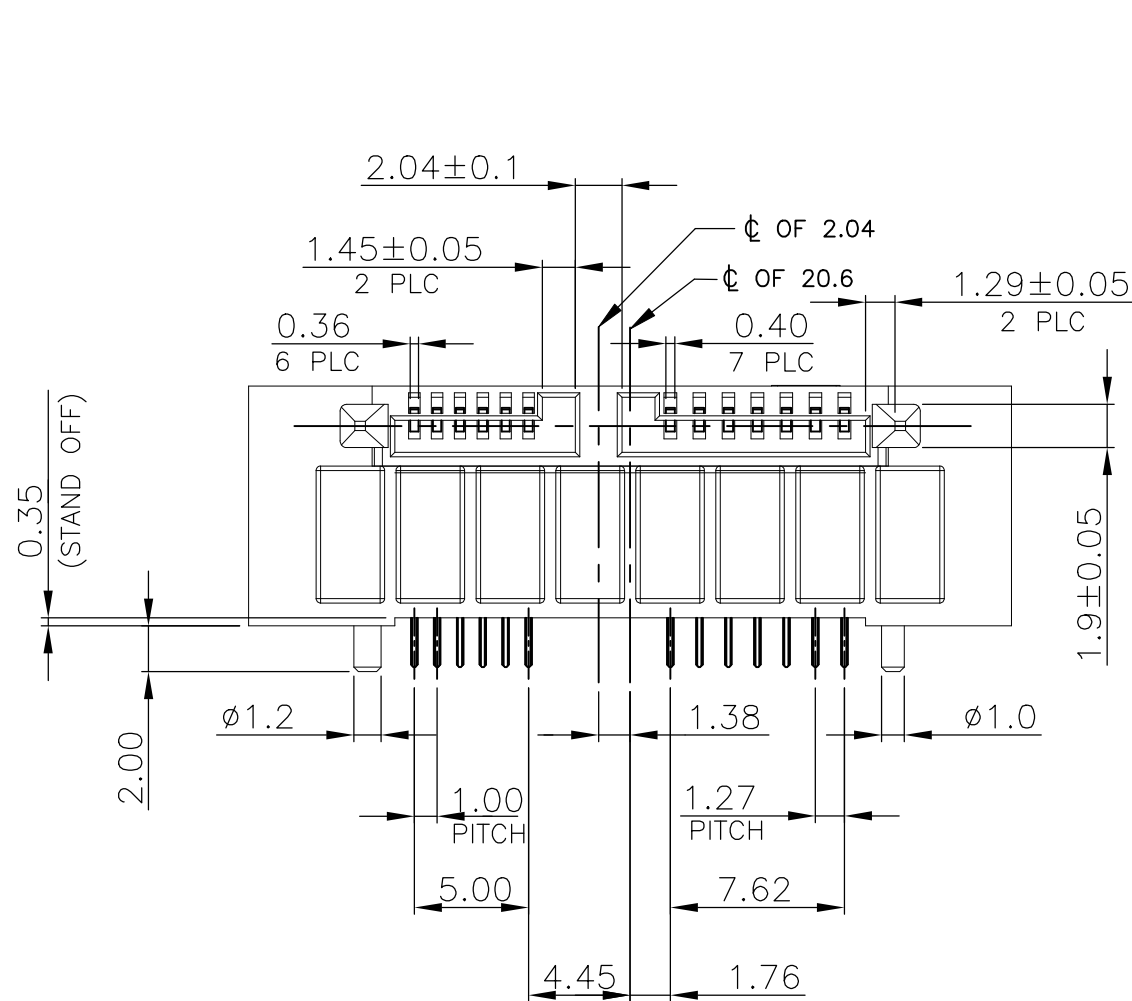
LOC DW

DIST

REVISIONS

P	LTR	DESCRIPTION	DATE	DWN	APVD
		SEE SHEET 1.			

(WITHOUT CAP)

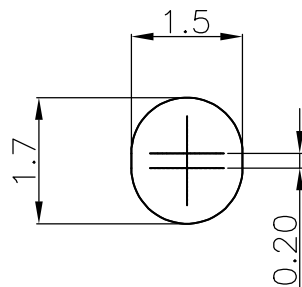
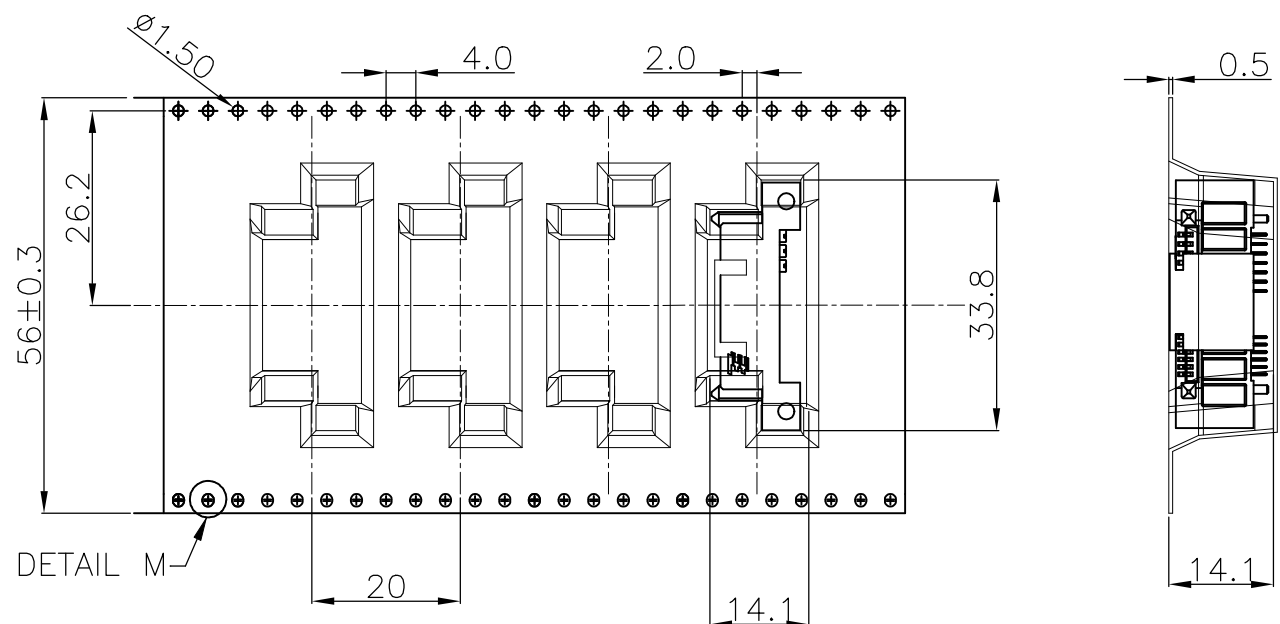


RECOMMENDED PCB LAYOUT
 TOLERANCE: ±0.05mm (COMPONENT VIEW)
 PCB THICKNESS 1.2mm

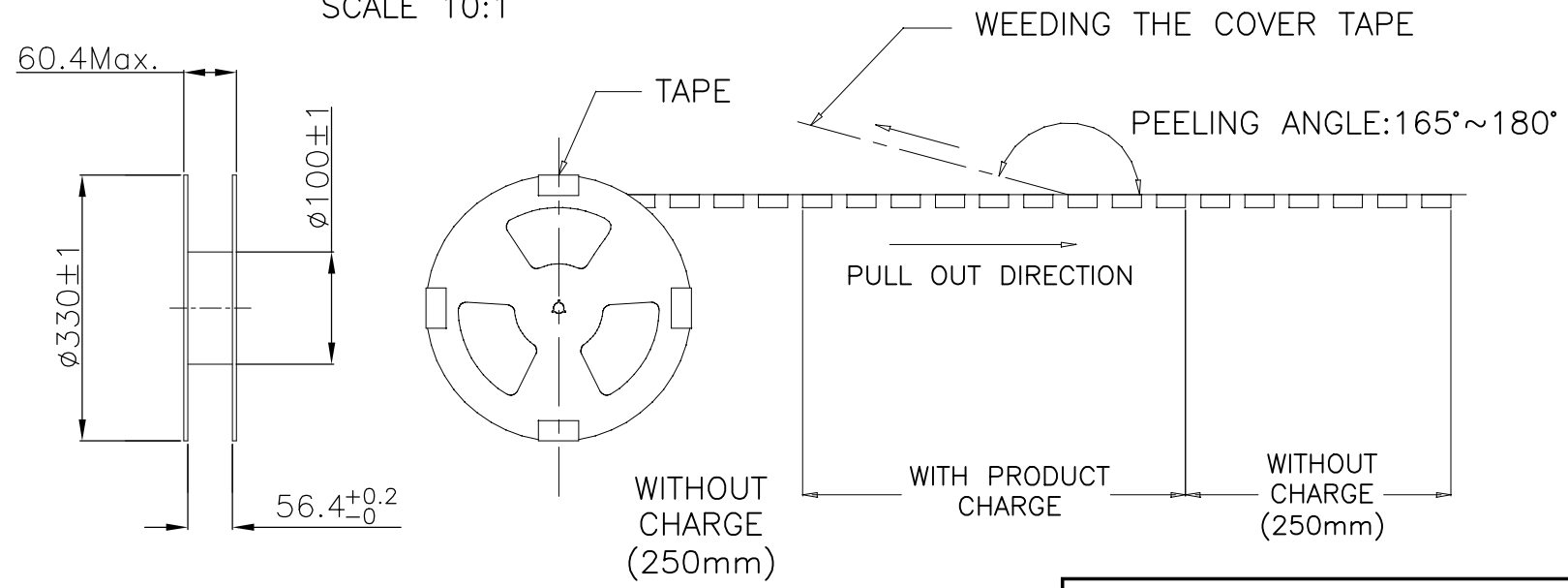
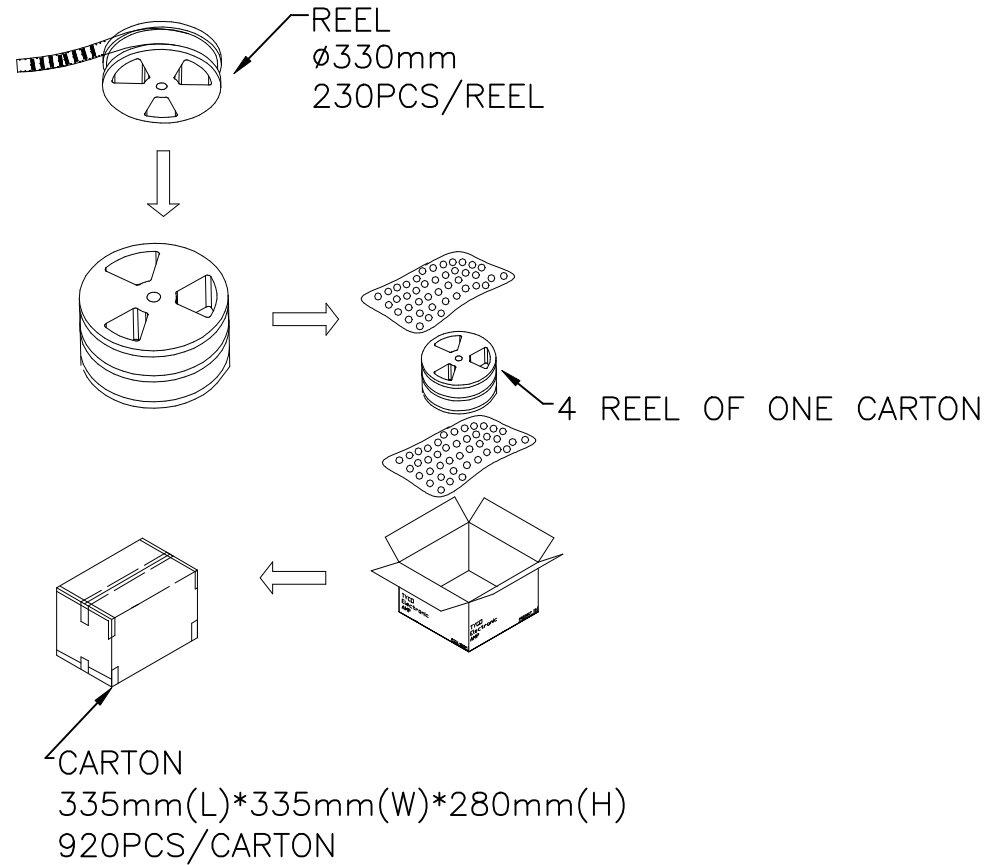
THIS DRAWING IS A CONTROLLED DOCUMENT.		DWN	Tyco Electronics Corporation Taipei, Taiwan		
DIMENSIONS: MM		CHK	NAME		
TOLERANCES UNLESS OTHERWISE SPECIFIED:		APVD	SLIMLINE SATA RECEPTACLE, BOTTOM MOUNT, DIP, NUT TYPE		
0 PLC ± -		PRODUCT SPEC	SIZE	CAGE CODE	DRAWING NO
1 PLC ± 0.3		APPLICATION SPEC	A3	00779	C=1759981
2 PLC ± 0.2		WEIGHT	RESTRICTED TO		
3 PLC ± 0.15			CUSTOMER DRAWING		
4 PLC ± -			SCALE	SHEET	REV
ANGLES ± 3'			-	2 OF 3	F
MATERIAL					
FINISH					

THIS DRAWING IS UNPUBLISHED. RELEASED FOR PUBLICATION AUG, 2006.
 © COPYRIGHT BY TYCO ELECTRONICS CORPORATION. ALL RIGHTS RESERVED.

LOC	DIST	REVISIONS			
P	LTR	DESCRIPTION	DATE	DWN	APVD
DW		SEE SHEET 1.			



DETAIL M
SCALE 10:1



OBSOLETE	230	920	1759981-9
OBSOLETE	230	920	1759981-8
OBSOLETE	230	920	1759981-7
	PCS/REEL	PCS/CARTON	P/N

THIS DRAWING IS A CONTROLLED DOCUMENT.		DWN		Tyco Electronics Corporation Taipei, Taiwan	
DIMENSIONS: MM		CHK		NAME	
TOLERANCES UNLESS OTHERWISE SPECIFIED:		APVD		SLIMLINE SATA RECEPTACLE, BOTTOM MOUNT, DIP, NUT TYPE	
0 PLC ± -		PRODUCT SPEC		SIZE	
1 PLC ± -		APPLICATION SPEC		CAGE CODE	
2 PLC ± -		WEIGHT		DRAWING NO	
3 PLC ± -		CUSTOMER DRAWING		RESTRICTED TO	
4 PLC ± -				A300779	
ANGLES ± -				C=1759981	
FINISH				SCALE	
				SHEET 3 OF 3	
				REV F	