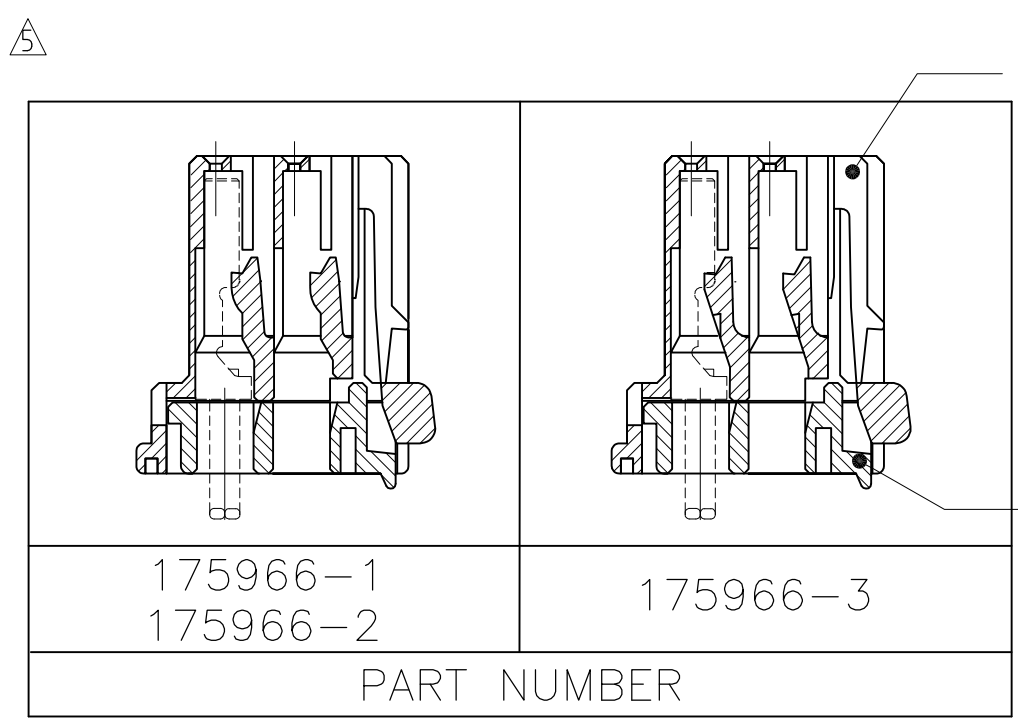
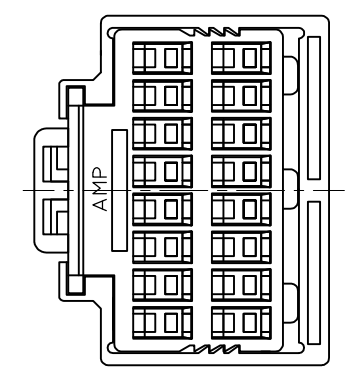
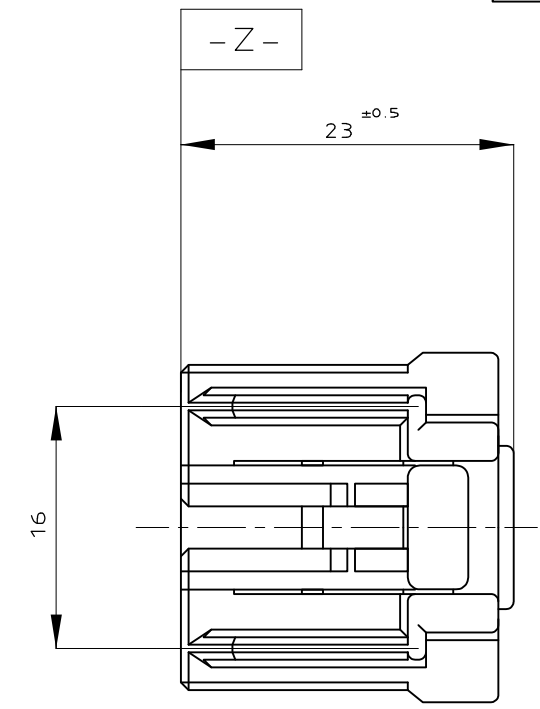
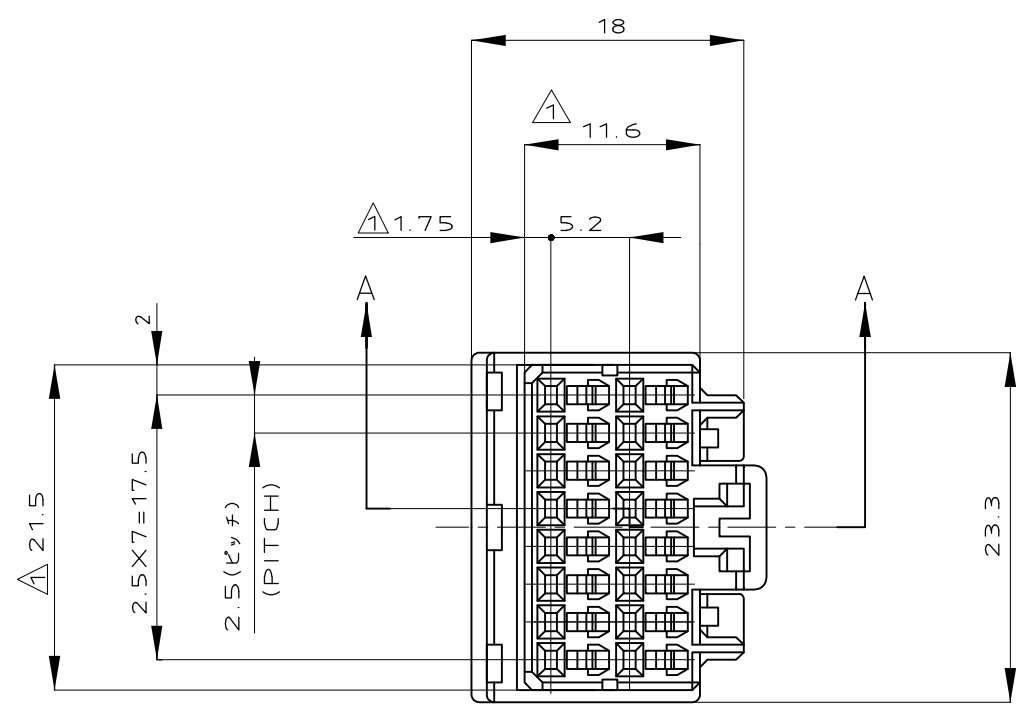


THIS DRAWING IS UNPUBLISHED. RELEASED FOR PUBLICATION
 © COPYRIGHT - By - ALL RIGHTS RESERVED.

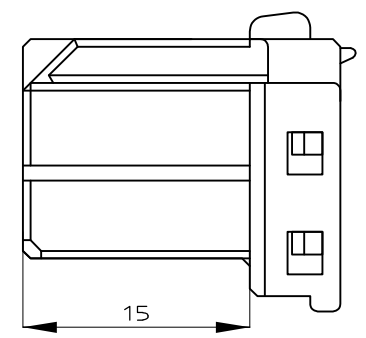
LOC	DIST	REVISIONS 変更					
J	-	P	LTR	DESCRIPTION	DATE	DWN	APVD
			B2	REVISED PER ECO-11-005140	28MAR11	RK	HMR



PLUG HOUSING
 DOUBLE LOCK PLATE

175966-1 175966-2	175966-3
PART NUMBER	

A-A



- △1 MUST BE KEPT BETWEEN -Z- AND 2mm
- 2 THE MATING CAP HSG. PART NUMBER;175615,175976
- 3 APPLIED CONTACT PART NUMBER;173681
- 4 APPLICABLE PRODUCT SPEC NO.;108-5281
- △5 THIS PLUG HOUSING HAVE TWO KINDS OF LANCE TYPE.

- △1 -Z- 面より2mmの範囲で測定。
- 2 かん合相手ハウジング型番 ;175615,175976
- 3 内装するリセプタクルコンタクト型番 ;173681
- 4 適用製品規格番号 ;108-5281
- △5 本プラグハウジングは2タイプのランス形状がある

BLACK	175966-3
BLACK	175966-2
NATURAL	175966-1
COLOR	PART NUMBER

TOLERANCE UNLESS OTHERWISE SPECIFIED:
一般公差

0 < x ≤ 10	: ±0.2
10 < x ≤ 30	: ±0.25
30 < x ≤ 100	: ±0.3
ANGLE ; 角度	: ±3°

THIS DRAWING IS A CONTROLLED DOCUMENT.		DWN K. SUZUKI 24OCT89	STE TE Connectivity	
DIMENSIONS: 単位: 概 mm		CHK Y. MATSUSAKA 24DEC89		
TOLERANCES UNLESS OTHERWISE SPECIFIED: 一般公差		APVD M. NOGUCHI 24DEC89	NAME 名称 040 SERIES MULTILOCK I/O CONNECTOR MK-II 16POSITION PLUG HOUSING ASSEMBLY	
MATERIAL 材料 PBT		FINISH 仕上 COLOR HOUSING; SEE TABLE PLATE; NATURAL	PRODUCT SPEC 製品規格 108-5281	APPLICATION SPEC 取付適用規格
		WEIGHT 4.0 g	SIZE A3	CAGE CODE 00779
			DRAWING NO 番号 C-175966	RESTRICTED TO -
		CUSTOMER DRAWING	SCALE 尺度 2:1	SHEET 1 OF 1
				REV B2