

4

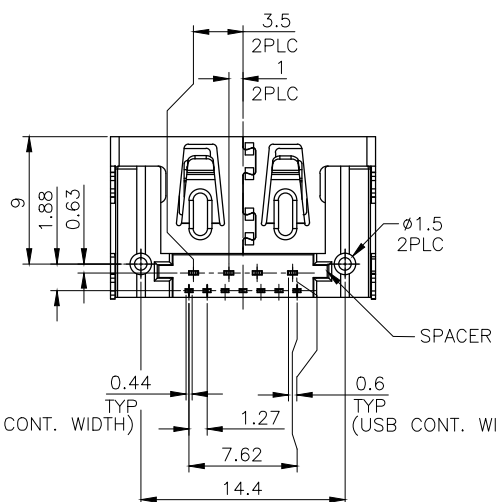
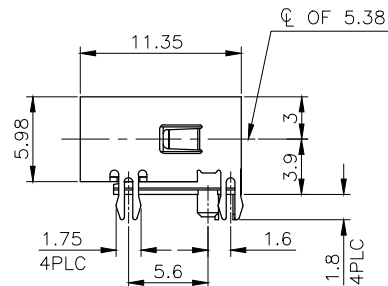
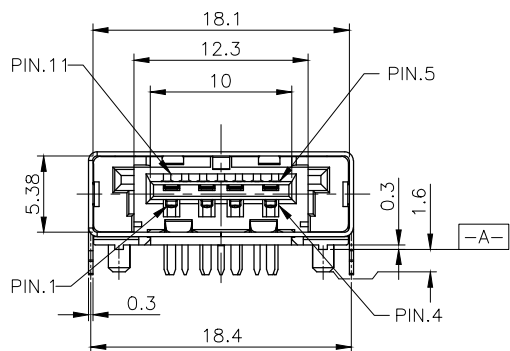
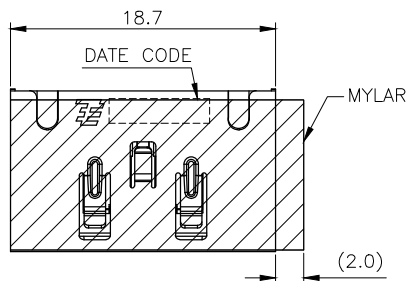
3

2

1

THIS DRAWING IS UNPUBLISHED. RELEASED FOR PUBLICATION
 © COPYRIGHT 2011 BY TYCO ELECTRONICS CORPORATION. ALL RIGHTS RESERVED.

LOC		DIST		REVISIONS			
P	LTR	DESCRIPTION	DATE	DWN	APVD		
	A	RELEASED	28OCT14	SW	SC		

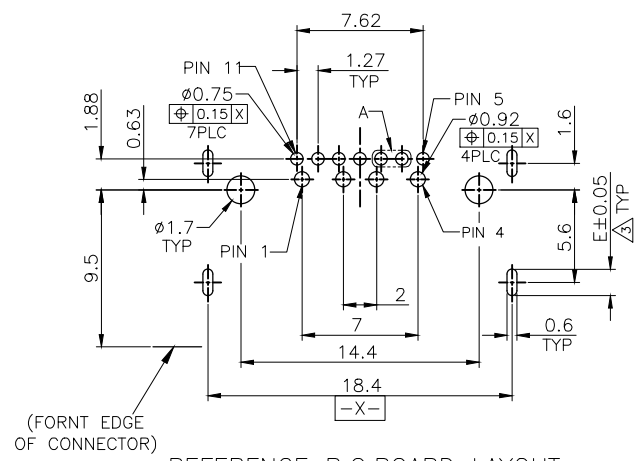


- NOTES:
- MATERIAL:
 - HOUSING: THERMOPLASTIC, HIGH TEMP, 30% G/F UL94 V-0
COLOR:BLACK
 - SPACER: THERMOPLASTIC, HIGH TEMP, 30% G/F UL94 V-0
COLOR:BLACK
 - SHELL: COPPER ALLOY
 - ESATA CONTACT: COPPER ALLOY
 - USB CONTACT: COPPER ALLOY
 - MYLAR: KAPTON
 - FINISH:
 - CONTACT: GOLD PLATING ON CONTACT AREA (SEE TABLE)
2.54μm MIN. MATTE-TIN PLATING ON SOLDER TAILS
1.27μm MIN. NICKEL UNDERPLATING OVER ALL
 - SHELL: 1.27μm MIN. NICKEL PLATING OVERALL
 - EACH CUSTOMER CAN SELECT BOARDLOCK FUNCTION AVAILABLE OR UNAVAILABLE
 - LOW HALOGEN SPECIFICATION:
 - CHLORINE(Cl): 900ppm MAX.
 - BROMINE(Br): 900ppm MAX.
 - CHLORINE(Cl)+BROMINE(Br): 1500ppm MAX.
 - RECOMMENDED P.C.B THICKNESS:
 - 1.2mm FOR WAVE SOLDERING PROCESS
 - 1.8mm FOR REFLOW SOLDERING PROCESS

0.08um	1759599-1
GOLD PLATING (MIN.)	PART NUMBER

THIS DRAWING IS A CONTROLLED DOCUMENT.		DWN J. LAI 11JUN2012	TE Connectivity																		
DIMENSIONS: mm		CHK S. CHIEN 11JUN2012																			
TOLERANCES UNLESS OTHERWISE SPECIFIED:		APVD W. KODAMA 11JUN2012	NAME																		
<table border="1"> <tr><td>0 PLC</td><td>±</td><td></td></tr> <tr><td>1 PLC</td><td>±</td><td>±0.25</td></tr> <tr><td>2 PLC</td><td>±</td><td></td></tr> <tr><td>3 PLC</td><td>±</td><td></td></tr> <tr><td>4 PLC</td><td>±</td><td></td></tr> <tr><td>ANGLES</td><td>±</td><td>3'</td></tr> </table>		0 PLC	±		1 PLC	±	±0.25	2 PLC	±		3 PLC	±		4 PLC	±		ANGLES	±	3'	PRODUCT SPEC 108-99116	
0 PLC	±																				
1 PLC	±	±0.25																			
2 PLC	±																				
3 PLC	±																				
4 PLC	±																				
ANGLES	±	3'																			
MATERIAL SEE NOTE		APPLICATION SPEC		ESATA / USB 2 IN 1, TOP MOUNT, R/A, DIP TYPE																	
FINISH SEE NOTE		WEIGHT		SIZE A3																	
RESTRICTED CUSTOMER DRAWING		CAGE CODE 00779		DRAWING NO 1759599																	
		RESTRICTED TO		SCALE -																	
		SHEET 1 of 3		REV A																	

LOC	DIST	REVISIONS			
P	LTR	DESCRIPTION	DATE	DWN	APVD
		SEE SHEET 1.			

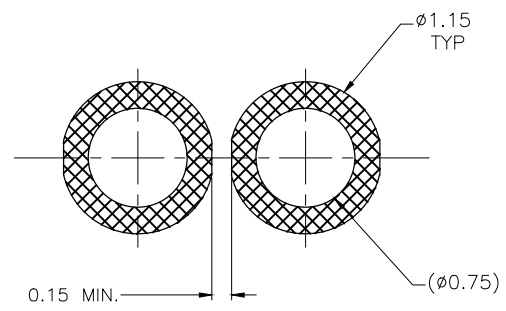


REFERENCE P.C. BOARD LAYOUT
 PCB TOLERANCE: ±0.05

1.6	1.9
E	E
△ BOARDLOCK FUNCTION AVAILABLE	△ BOARDLOCK FUNCTION UNAVAILABLE

PIN DEFINITION

USB		ESATA	
NAME	TYPE	NAME	TYPE
P1	VBUS	P5	GND
P2	D-	P6	A+
P3	D+	P7	A-
P4	GND	P8	GND
		P9	B-
		P10	B+
		P11	GND

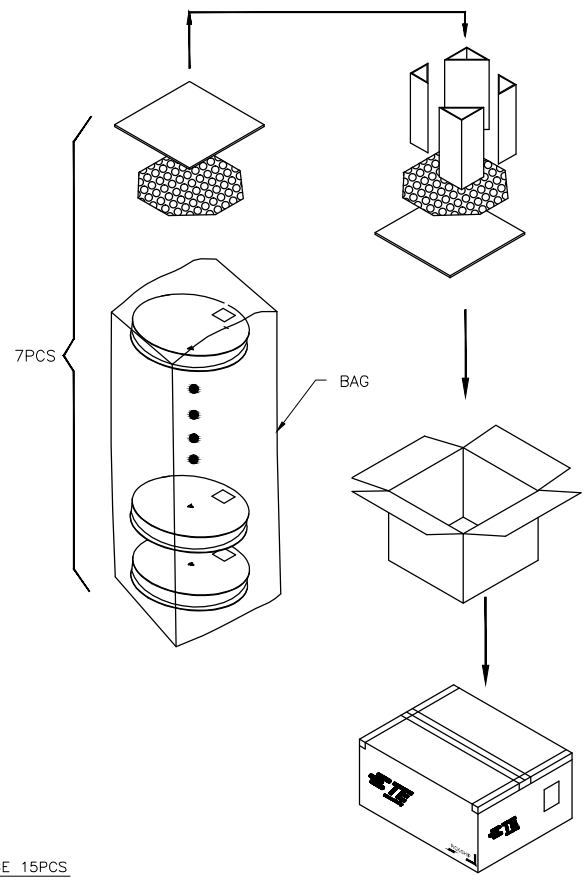
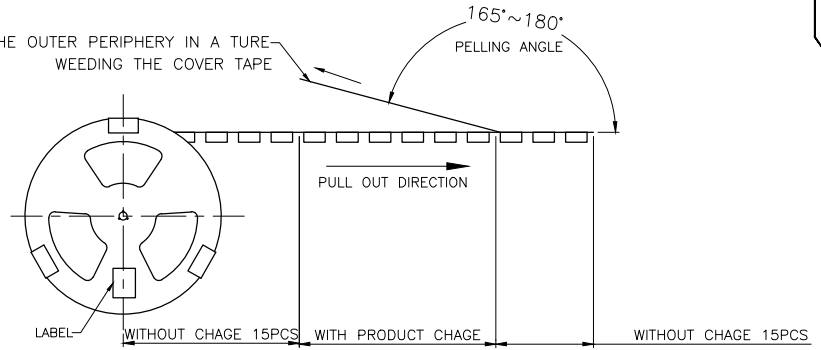
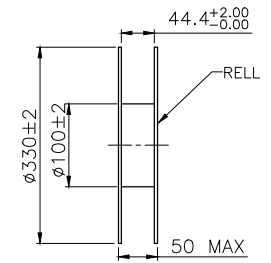
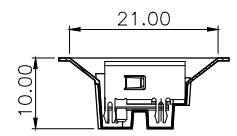
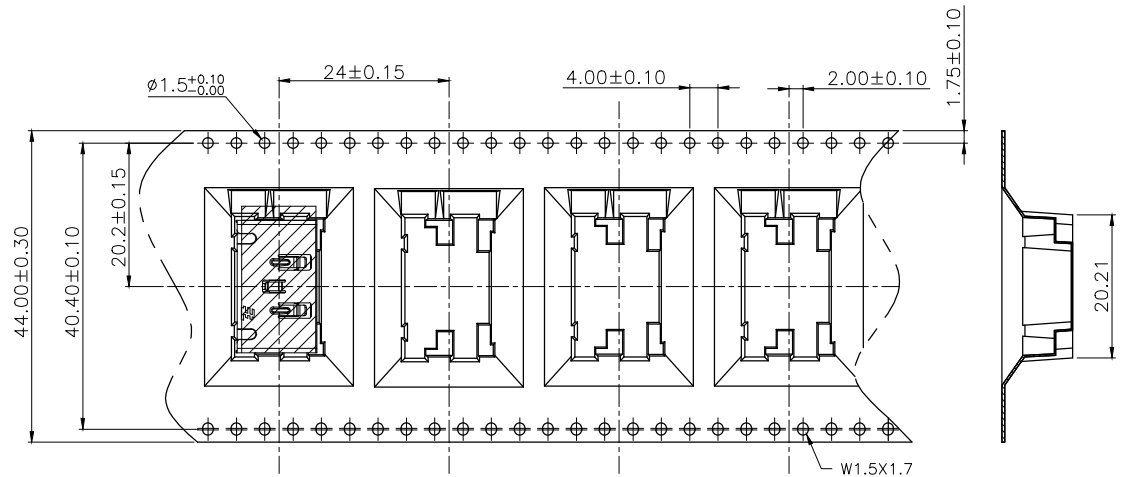


DETAIL A
 SCALE 8:1

THIS DRAWING IS A CONTROLLED DOCUMENT.		DWN	TE Connectivity	
DIMENSIONS: mm		CHK	NAME	
		APVD	ESATA / USB 2 IN 1, TOP MOUNT, R/A, DIP TYPE	
TOLERANCES UNLESS OTHERWISE SPECIFIED:		PRODUCT SPEC	SIZE	CAGE CODE
0 PLC ± - 1 PLC ± 0.3 2 PLC ± 0.2 3 PLC ± 0.15 4 PLC ± - ANGLES ± 3°		APPLICATION SPEC	DRAWING NO	RESTRICTED TO
MATERIAL	FINISH	WEIGHT	A3 00779	C=1759599
RESTRICTED CUSTOMER DRAWING			SCALE	SHEET 2 OF 3
			REV	A

THIS DRAWING IS UNPUBLISHED. RELEASED FOR PUBLICATION
 © COPYRIGHT 2011 BY TYCO ELECTRONICS CORPORATION. ALL RIGHTS RESERVED.

LOC		DIST		REVISIONS			
P	LTR	DESCRIPTION	DATE	DWN	APVD		
DW		SEE SHEET 1.					



- NOTES :
- MATERIAL :
 COVER TAPE : PS, COLOR: TRANSPARENT
 CARRIER TAPE : PET
 REEL : POLYSTYRENES
 CARTON: CORRUGATED FIBER
 - PEELING SPEED : 300mm/MINUTES
 - PEELING RESISTANCE : 20g~130g
 - DIMENSION :
 REEL : SEE DRAWING
 CARTON : L=345, W=345, H=370

8.61 KG	4.17 KG	250 PCS	7 PCS	1750 PCS
GROSS WEIGHT	NET WEIGHT	PCS/REEL	REEL/CARTON	PCS/CARTON

THIS DRAWING IS A CONTROLLED DOCUMENT.		DWN		
DIMENSIONS: mm		CHK		
TOLERANCES UNLESS OTHERWISE SPECIFIED:		APVD	NAME	
0 PLC ± - 1 PLC ± 0.3 2 PLC ± 0.2 3 PLC ± 0.15 4 PLC ANGLES ± -		PRODUCT SPEC	ESATA / USB 2 IN 1, TOP MOUNT, R/A, DIP TYPE	
MATERIAL		APPLICATION SPEC	SIZE	RESTRICTED TO
FINISH		WEIGHT	A3 00779	CAGE CODE
		RESTRICTED CUSTOMER DRAWING	C=1759599	DRAWING NO
		SCALE	SHEET 3 of 3	REV A