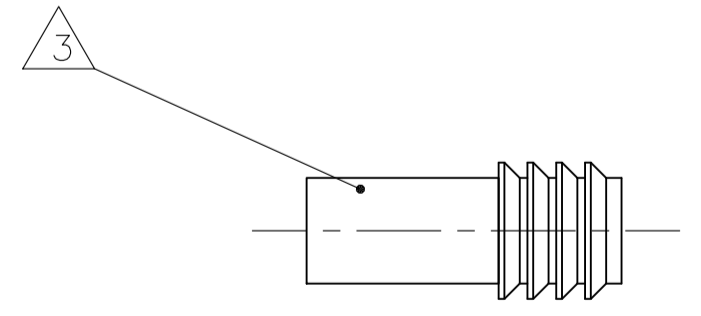
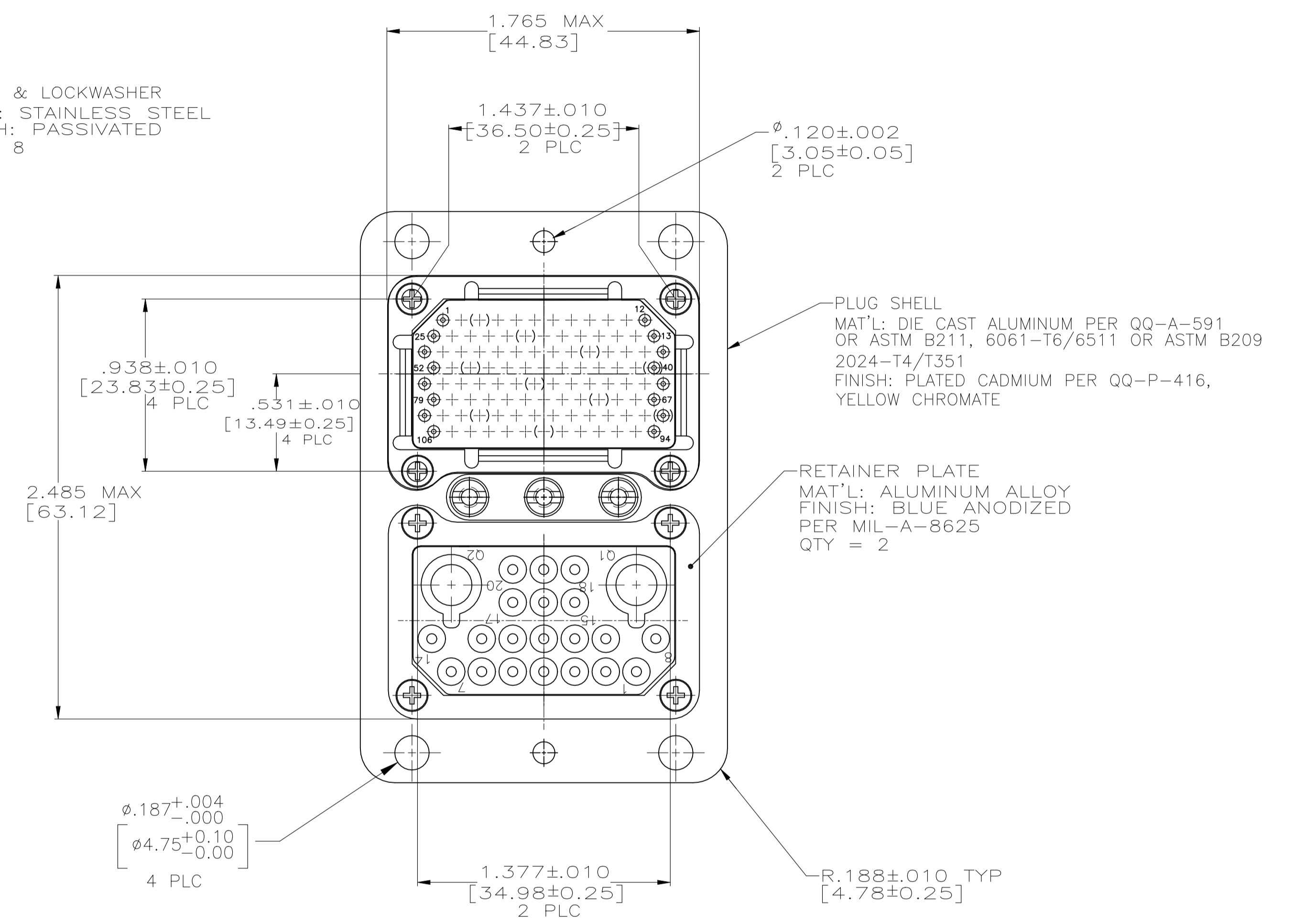
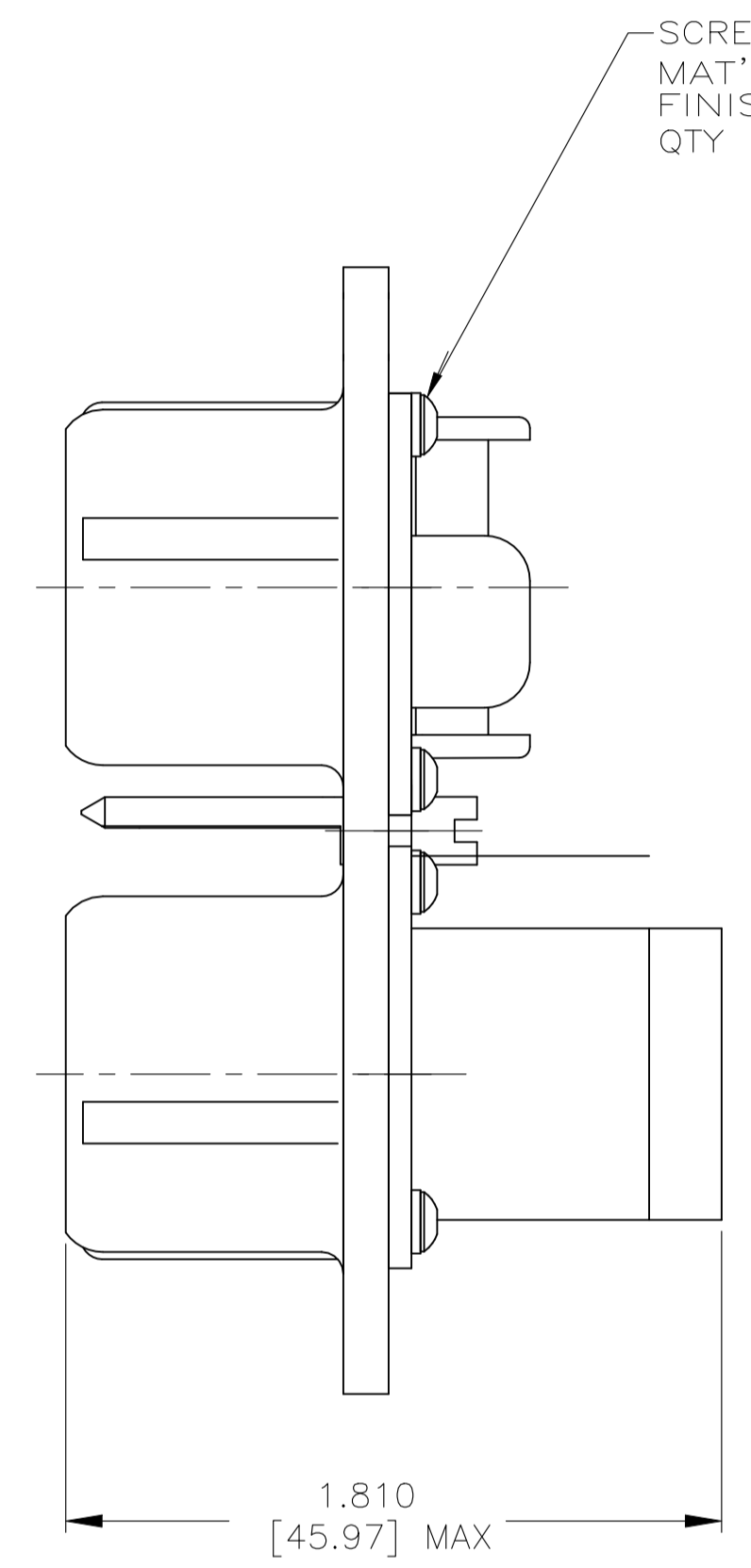
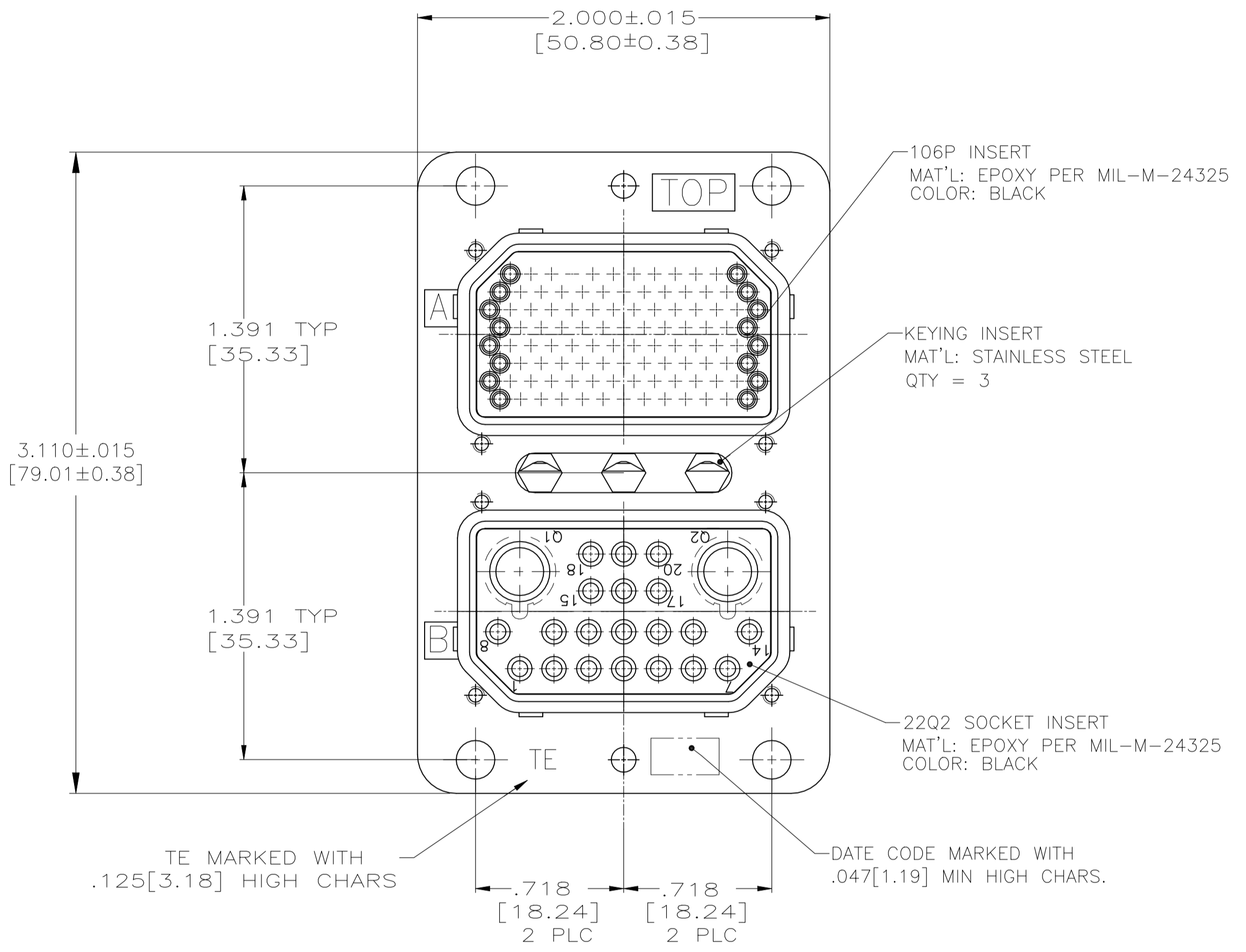


REVISIONS					
P	LTR	DESCRIPTION	DATE	DN	APVO
K		REVISED PER ECO 20-015430	5-24-21	CT	RL



- CONNECTOR DIMENSIONS ARE PER ARINC 404 SPECIFICATION.
 - KEYING SHOWN IN POSITION "01" FOR ILLUSTRATION ONLY. CONNECTORS SHIPPED WITH KEYING INSTALLED IN POSITION PER TABLE. FOR POSITION "00" KEYING HARDWARE SHIPPED UNASSEMBLED.
- 3 TWO QUADRAX SEALS PROVIDED WITH ASSEMBLY.

"02"	1757313-2
"01"	1757313-1
KEYING POSITION	PART NO.

THIS DRAWING IS A CONTROLLED DOCUMENT.		DIN C.C.THOMAS 5-20-05	NAME PLUG ASSY,ARINC 404,RME2P106P22Q2S-46XX (201)	
DIMENSIONS: INCHES	TOLERANCES UNLESS OTHERWISE SPECIFIED:	CHK D.FABY 5-20-05	APPRO D.FABY 5-20-05	RESTRICTED TO
0 PLC ± -	1 PLC ± -	APPLICATION SPEC		
2 PLC ± -	3 PLC ± .005 [0.13]	SIZE	CAGE CODE	DRAWING NO
4 PLC ± -	ANGLES ± -	WEIGHT	A1 00779	1757313
MATERIAL	FINISH	CUSTOMER DRAWING	SCALE	2:1
		SHEET	1	OF 1
		REV	K	