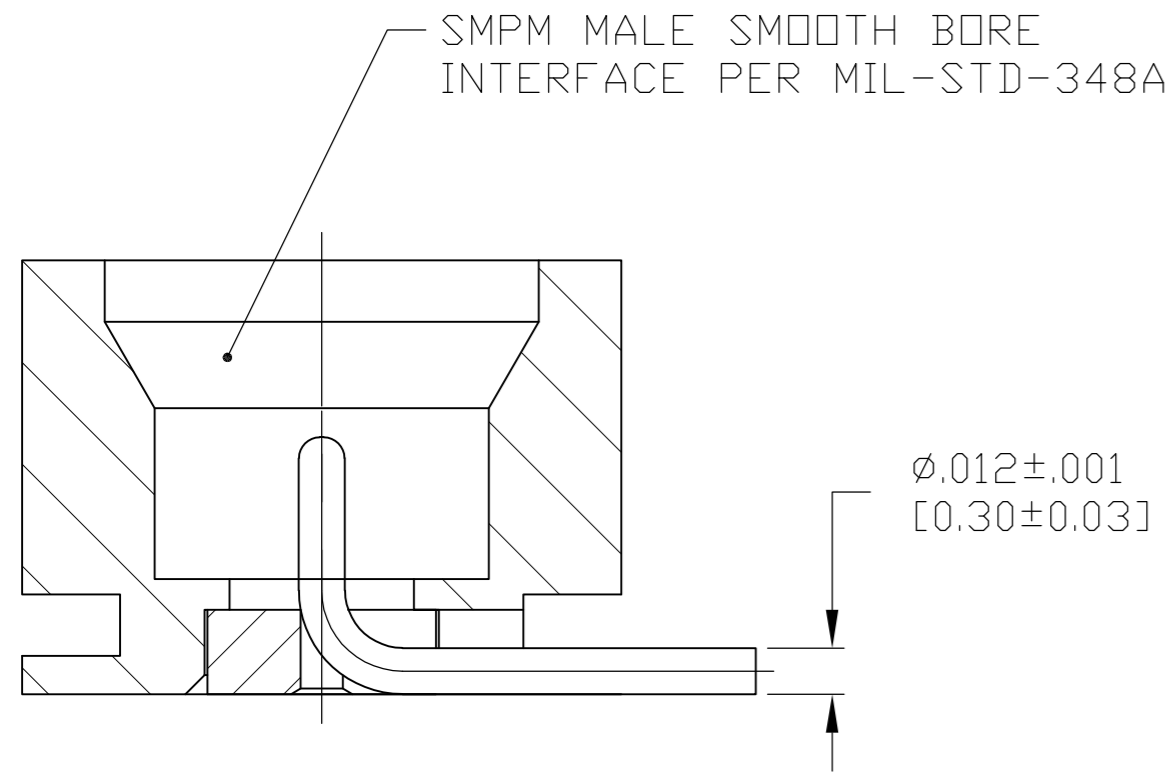


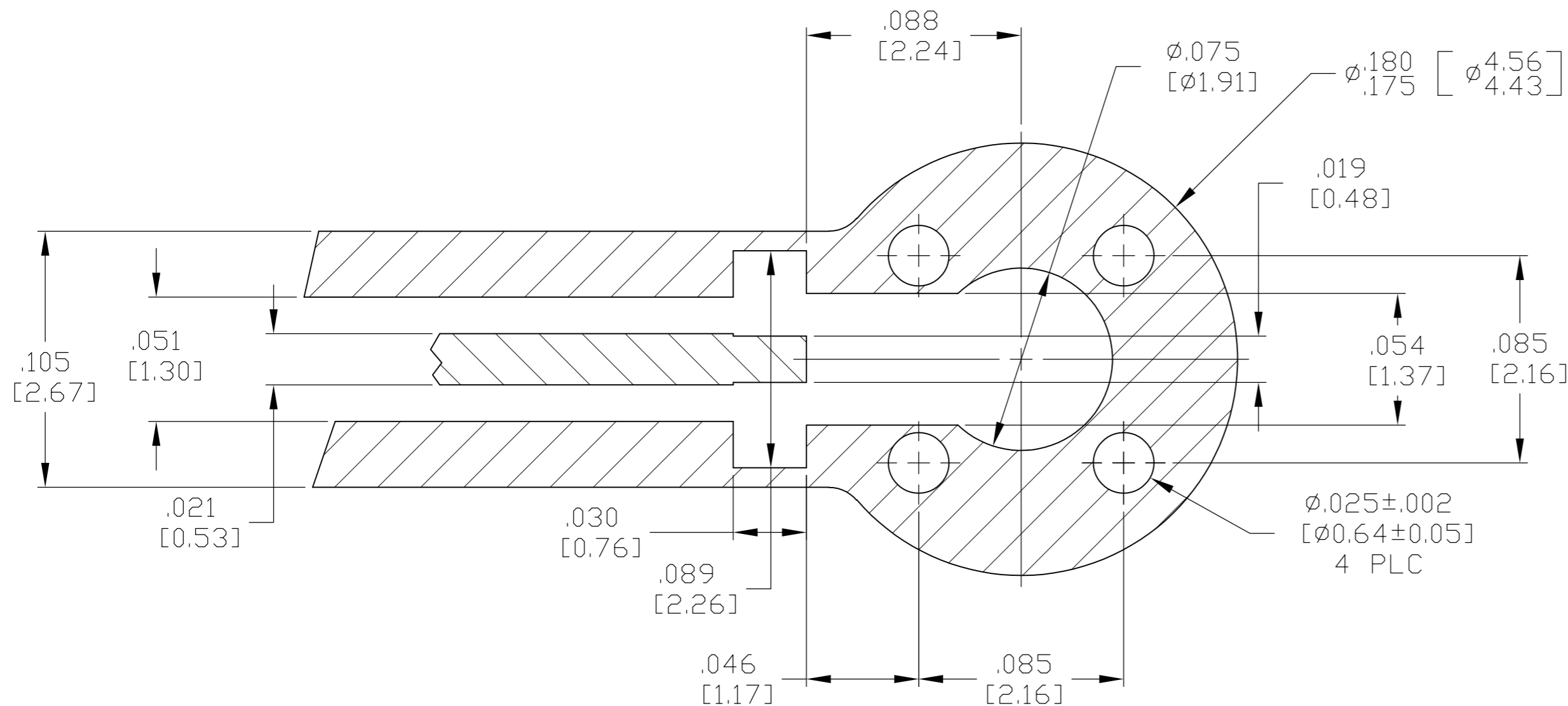
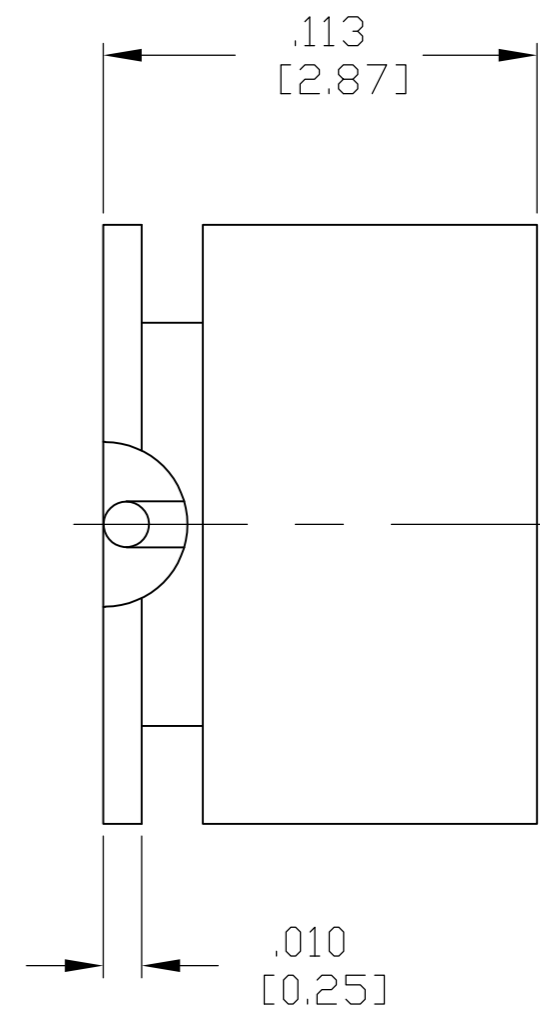
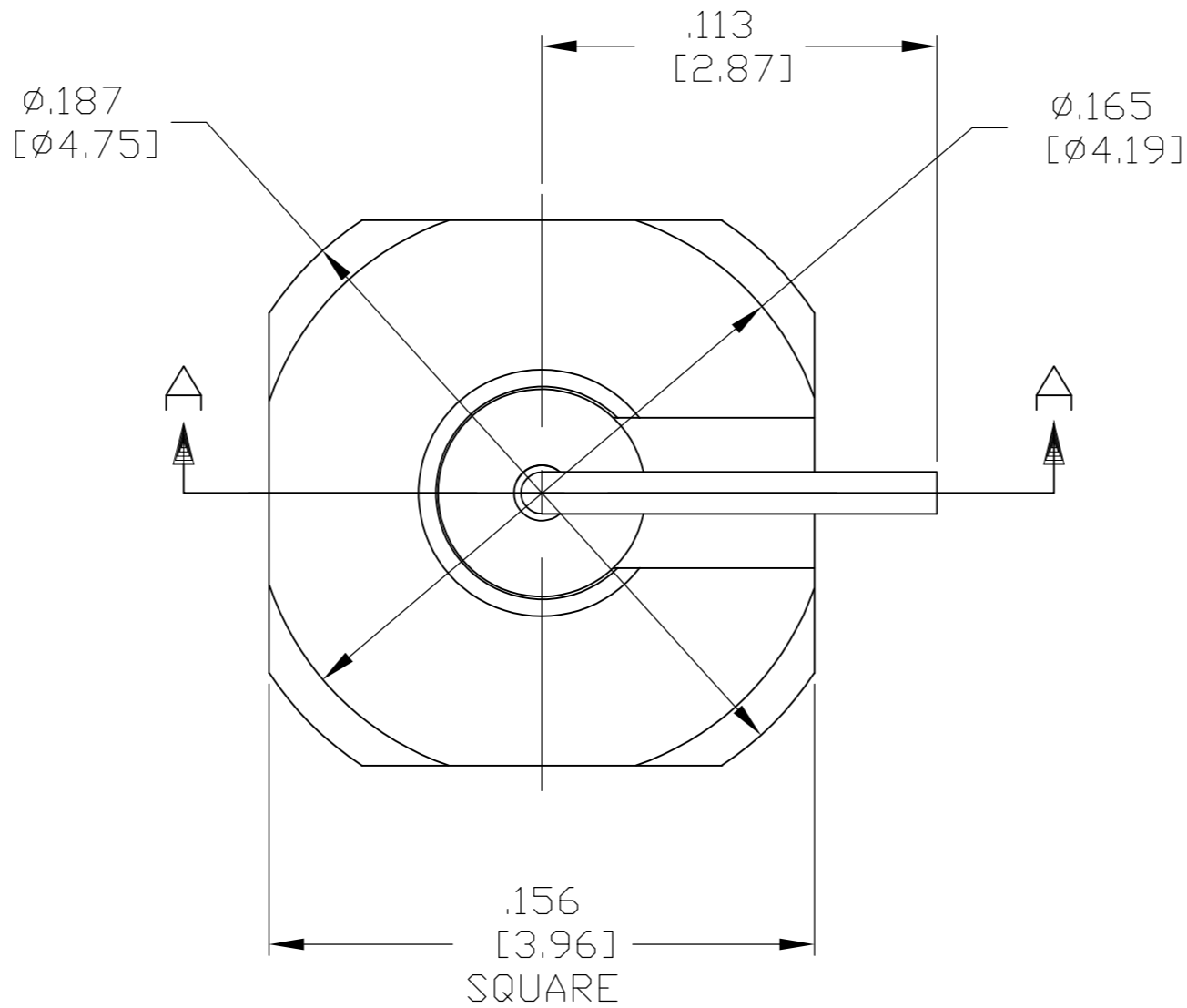
THIS DRAWING IS UNPUBLISHED. RELEASED FOR PUBLICATION
 © COPYRIGHT BY TYCO ELECTRONICS CORPORATION. ALL RIGHTS RESERVED.

COMPONENT	MATERIAL	FINISH
HOUSING	BRASS PER ASTM-B16	GOLD PLATED PER ASTM-B-488 TYPE 3, CODE C, CLASS 1.25
DIELECTRIC	POLYAMIDE IMIDE PER MIL-R-46179	-
PIN	BERYLLIUM COPPER PER ASTM B196	GOLD PLATED PER ASTM-B-488 TYPE 3, CODE C, CLASS 1.25

LOC	DIST	REVISIONS			
P	LTR	DESCRIPTION	DATE	DWN	APVD
DF	X0				
	D	REV PER ECO 08-006882	3-18-08	CT	BM



SECTION A-A



RECOMMENDED P.C. BOARD LAYOUT

1757253-1
PART NUMBER

THIS DRAWING IS A CONTROLLED DOCUMENT.		DWN	C.C.THOMAS	6-2-05	Tyco Electronics Corporation Harrisburg, PA 17105-3608	
DIMENSIONS: INCHES		CHK	R.GROSS	6-2-05		
TOLERANCES UNLESS OTHERWISE SPECIFIED:		APVD	R.GROSS	6-2-05		
0 PLC ± - 1 PLC ± - 2 PLC ± - 3 PLC ± .005 [0.13] 4 PLC ± - ANGLES ± - FINISH SEE TABLE		NAME	108-2242			
MATERIAL: SEE TABLE		PRODUCT SPEC	108-2242		SIZE	A2
		APPLICATION SPEC	-		CAGE CODE	00779
		WEIGHT	-		DRAWING NO	C=1757253
		CUSTOMER DRAWING	SCALE 20:1		SHEET	1 of 1
					RESTRICTED TO	-
					REV	D