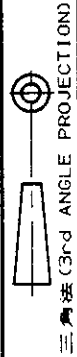
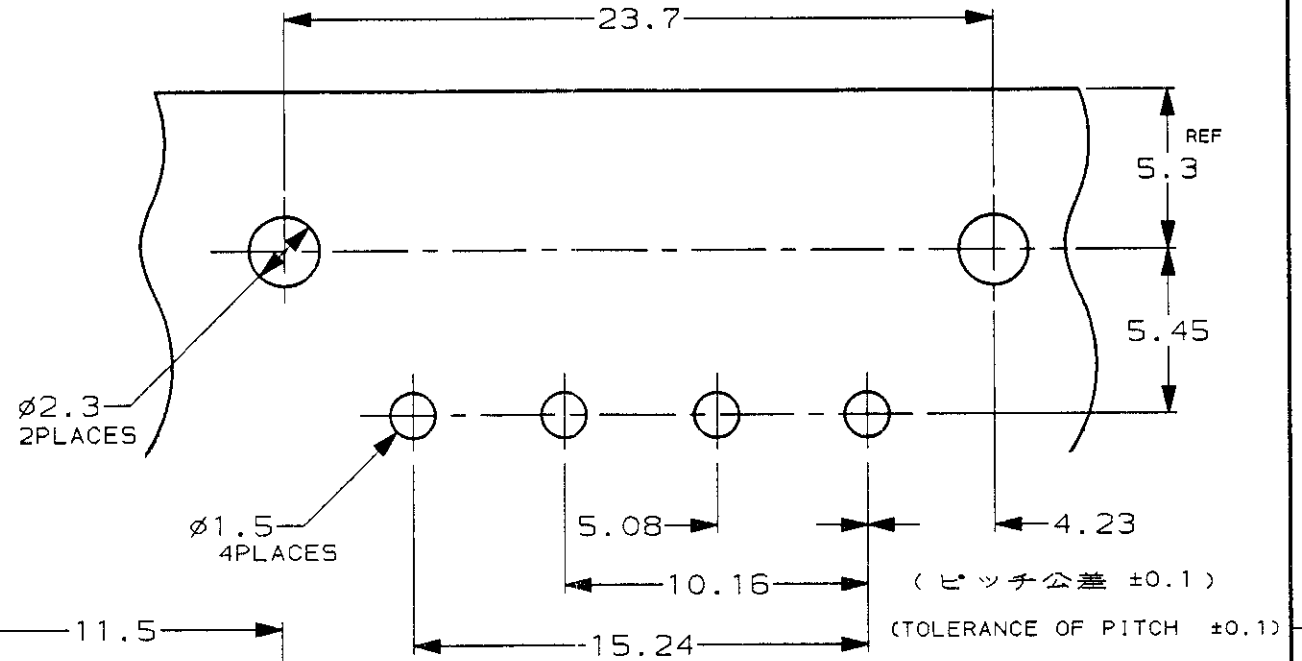
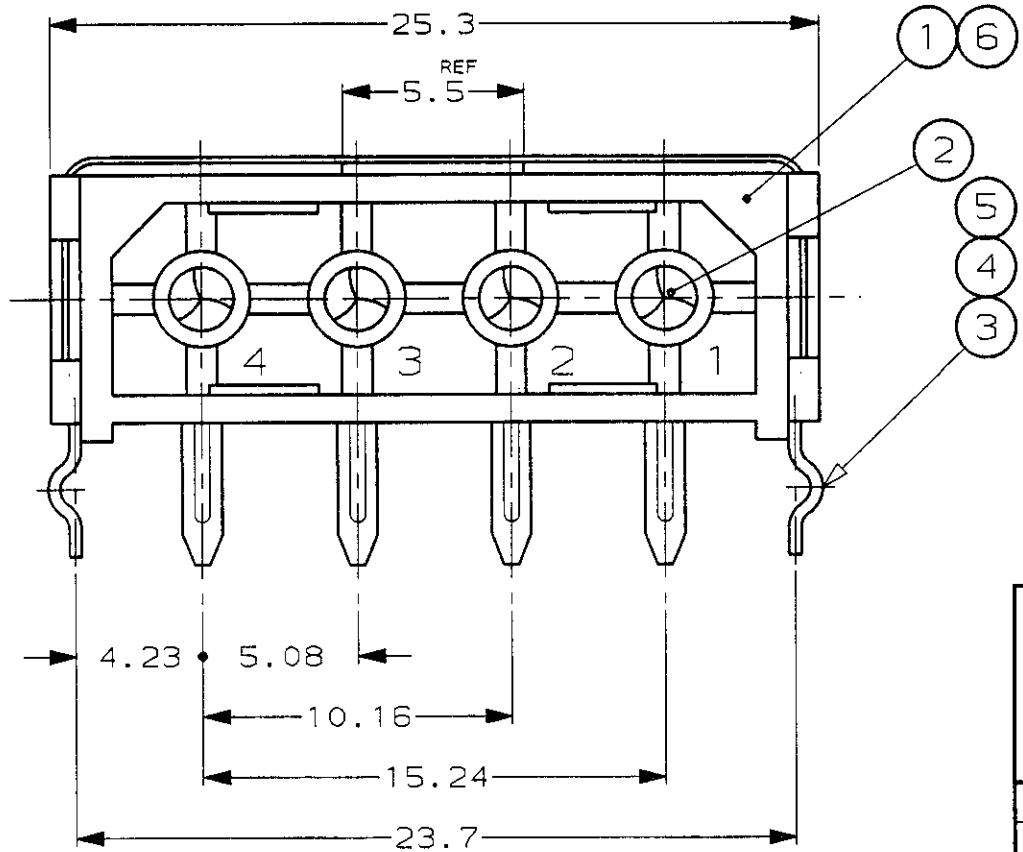
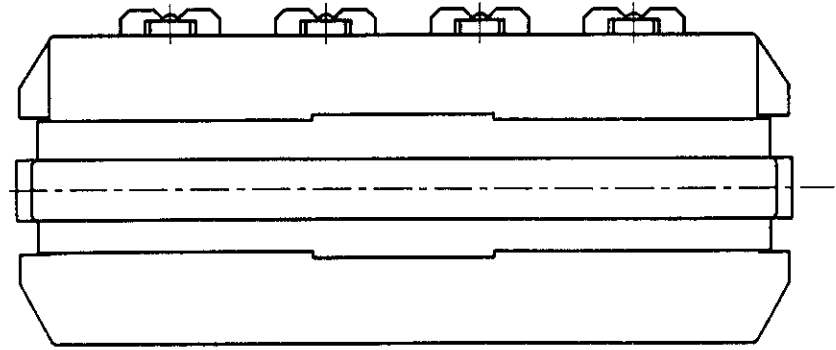


NUMBER 174804



METRIC

PRINT DIST DIMENSIONS IN MM. DO NOT SCALE PRINT



基板穴あけ寸法(参考) (PCB LAYOUT (REF))

注記

- 1. 嵌合相手プラグハウジング: P/N 1-480424-0
2. 通用製品規格: 108-5155
3. 通用基板厚: 1.6mm

NOTES

- 1. THE PARTY PLUG H.S.G.: P/N 1-480424-0
2. PRODUCT SPEC.: 108-5155
3. PCB THICK: 1.6mm
4. OBSOLETE PARTS: OBSOLETE CIS STREAMLINING PER D.RENAUD/D.SINISI
5. DIMENSION SHOWN REPRESENT PRODUCT IN DRY CONDITION. ADDITIONAL 2% GROWTH DUE TO END USE LOCATION MOISTURE ABSORPTION MAY OCCUR AND SHOULD BE ACCOUNTED FOR.

Table with 5 columns: OBSOLETE, OBSOLETE, OBSOLETE, NAME, MATERIAL, FINISH, ITEM. Contains part details for housing, clamps, and contacts.

Table with 3 columns: Part Number, Dimension A, Dimension B. Lists part numbers 1-174804-1 and 3-174804-3.



STE TE Connectivity header information including wire range, material, finish, and general tolerances.