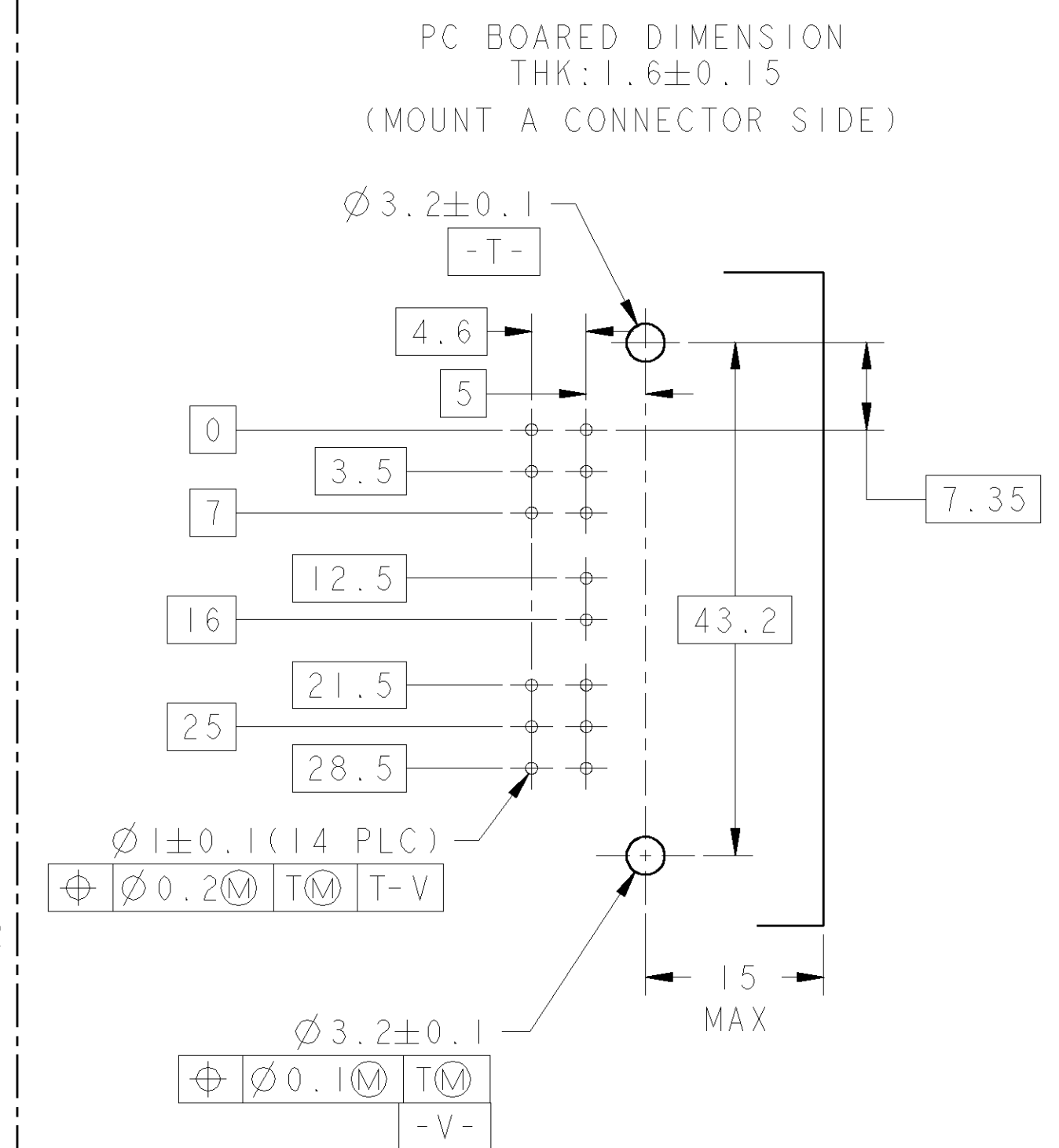
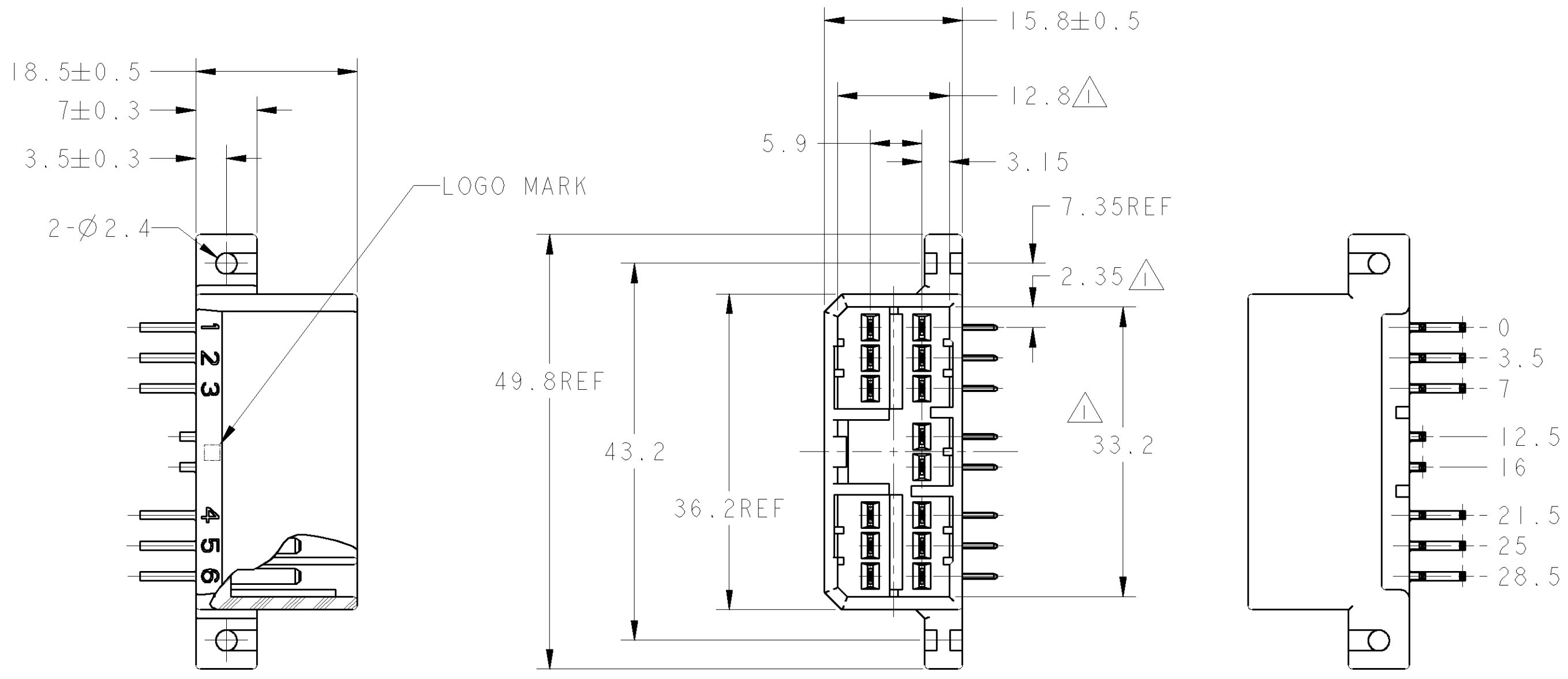


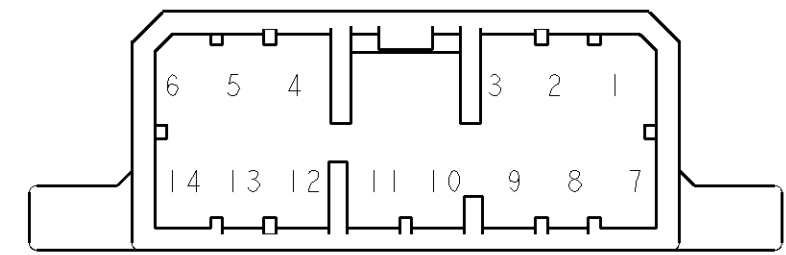
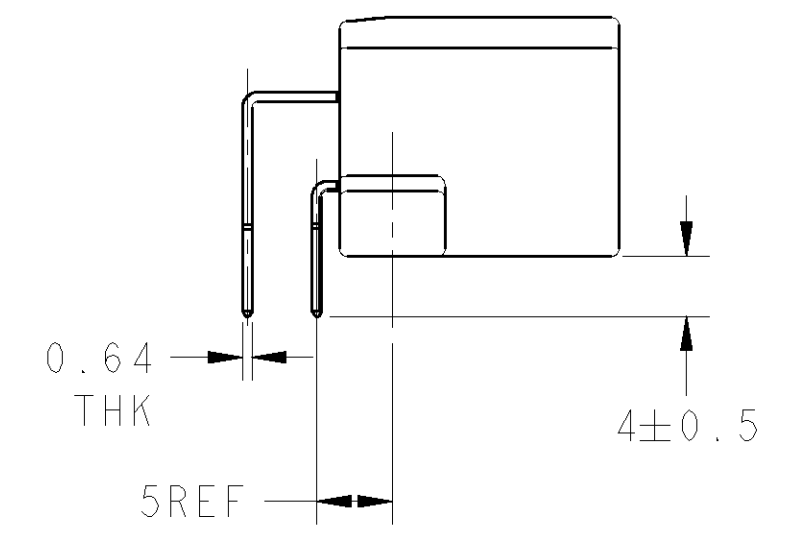
THIS DRAWING IS UNPUBLISHED. RELEASED FOR PUBLICATION 20  
 © COPYRIGHT 20 BY TYCO ELECTRONICS CORPORATION. ALL RIGHTS RESERVED.

LOC	DIST	REVISIONS						
J	-	P	LTR	DESCRIPTION	ECN	DATE	DWN	APVD
		0		RELEASED	FJA0-0653-04	01OCT2004	S.Y	Y.F
		01		REVISED	ECR-05-005744	27SEP05	S.Y	Y.N
		A		REVISED	ECR-10-007504	17MAY10	SF	KB



- △1. TO BE MATE WITH PLUG HSG(P/N:176117) SMOOTHLY.
- 2. TO BE USE SIZE:3 LENGTH:6 TAPPING SCREW JIS B1115 OR 1122 (TYPE2 OR 4) BEFORE SOLDER.(TORQUE SPEC:0.392N-m MAX)
- 3. CIRCUIT NUMBER:REFER TO THE FOLLWING FIGURE.

- △1. 相手ハウジング(P/N:176117)とスムーズに嵌合できること。
- 2. プリント基板への取り付けは、JIS B1115 又は 1122、呼び径3×6ナベ(2種又は4種)のタッピングネジで締め付けた後ハンダ付けする。(締付トルク:0.392N-m 以下)
- 3. 回路番号:下図参照のこと。



CIRCUIT NUMBER (MATING SIDE)

GENERAL TOLERANCES 一般公差

0 < X ≤ 10	: ±0.2
10 < X ≤ 30	: ±0.25
30 < X ≤ 100	: ±0.3
ANGLE: ±3°	

PRE-TIN		ORANGE	1747997-1
SOLDERING SIDE	CONTACT SIDE	COLOR	PRAT NUMBER
CONTACT FINISH			
THIS DRAWING IS A CONTROLLED DOCUMENT FOR TYCO ELECTRONICS CORPORATION. IT IS SUBJECT TO CHANGE AND THE CONTROLLING ENGINEERING ORGANIZATION SHOULD BE CONTACTED FOR THE LATEST REVISION.		Tyco Electronics Corporation Kawasaki, Japan	
DIMENSIONS: 単位: 概 mm 		NAME 名称 CAP HOUSING ASSY (H) 14POSITION 1.8 SERIES MULTI-LOCK I/O CONN	
TOLERANCES UNLESS OTHERWISE SPECIFIED 一般公差 0 PLC ± 1 PLC ± 2 PLC ± 3 PLC ± 4 PLC ± ANGLES ± FINISH 仕上 SEE TABLE		DWN 01OCT2004 S. YOKOZEKI CHK 01OCT2004 Y. NOGUCHI APVD 01OCT2004 Y. FUJIWARA PRODUCT SPEC 108-5312 APPLICATION SPEC 114-5091,5092 WEIGHT 8.9g	
MATERIAL 材料 HSG:PBT GF-30 CONT:BRASS		SIZE A2 CAGE CODE 00779 DRAWING NO. 1747997	RESTRICTED TO - SCALE 2:1 SHEET 1 OF 1 REV A