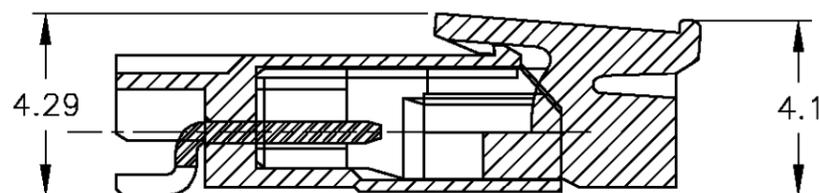
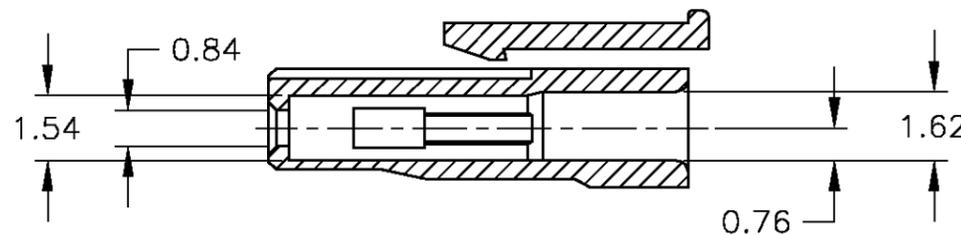
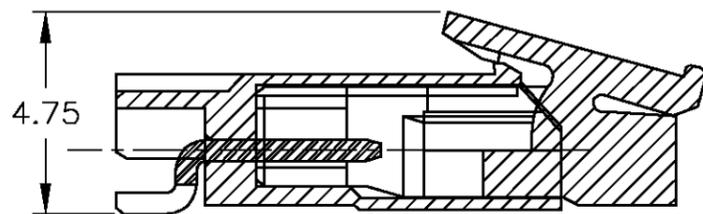
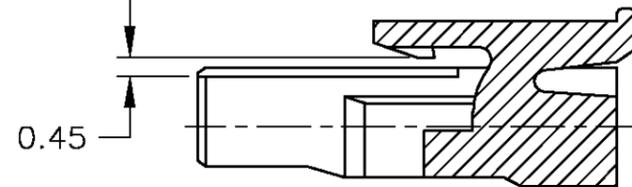
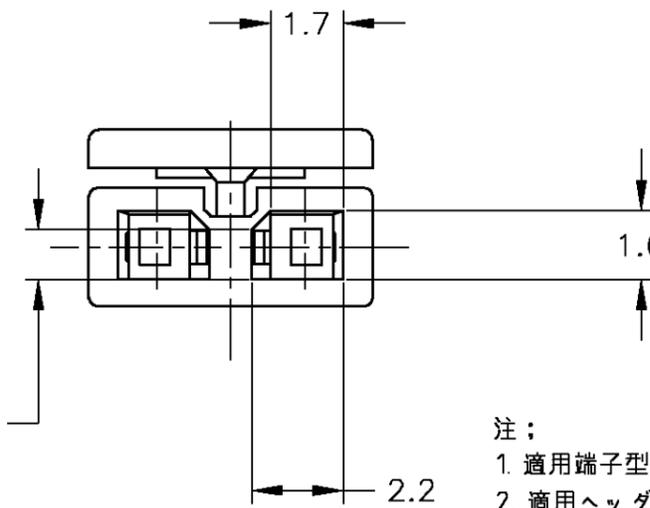
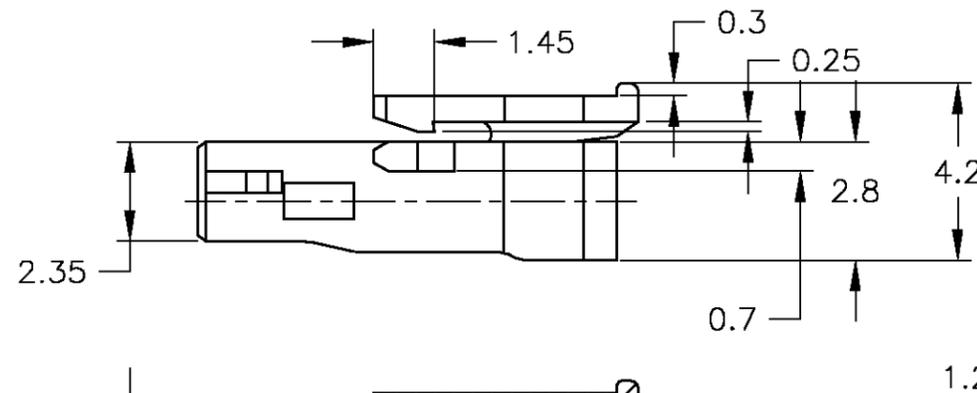
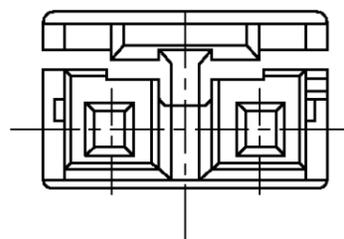
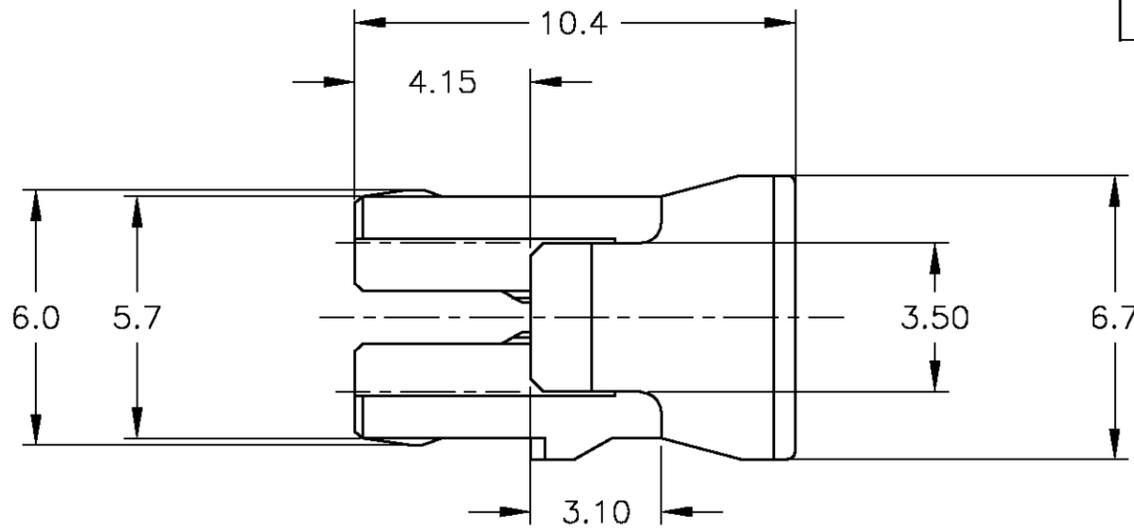


THIS DRAWING IS UNPUBLISHED. RELEASED FOR PUBLICATION
 © COPYRIGHT BY TYCO ELECTRONICS CORPORATION. ALL RIGHTS RESERVED.

LOC	DIST	REVISIONS					
J	—	P	LTR	DESCRIPTION	DATE	DWN	APVD
			0	RELEASED	FJD0-0220-04	22JUN04	M.S N.Y



- 注：
 1. 適用端子型番 1376174-1
 2. 適用ヘッダー型番
 ASSY 型番: 1-1473040-3
 エンボス型番: 1-1565647-3
- NOTES:
 1. APPLICABLE CONTACT P/N
 1376174-1
 2. APPLICABLE HEADER P/N
 ASSY P/N : 1-1473040-3
 EMBOSS P/N : 1-1565647-3

1747648-1
型番 P/N

THIS DRAWING IS A CONTROLLED DOCUMENT.		DWN M.SUZUKI 22JUN04	Tyco Electronics AMP K.K. Kawasaki, Japan	
DIMENSIONS: 単位: 耗 MM		CHK N.YAMASAKI 22JUN04	NAME 名称	
TOLERANCES UNLESS OTHERWISE SPECIFIED: 一般公差		APVD N.YAMASAKI 22JUN04	BACK LIGHT CONN. 2Pos. 3.5mm PITCH PLUG HSG WITH LOCK	
0 PLZ ± 0.3 1 PKC ± 2 PLC ± 3 PAC ± 4 PLG ± ANGLES ± 3deg		PRODUCT SPEC 製品規格 108-5706	SIZE A3	CAGE CODE 00779
MATERIAL 材料 66NYLON (UL94V-0)	FINISH 仕上 NONE	APPLICATION SPEC 取付適用規格 114-5294	DRAWING NO 番号 C-1747648	RESTRICTED TO —
CUSTOMER DRAWING			SCALE 尺度 6:1	SHEET 1 OF 1 REV 0