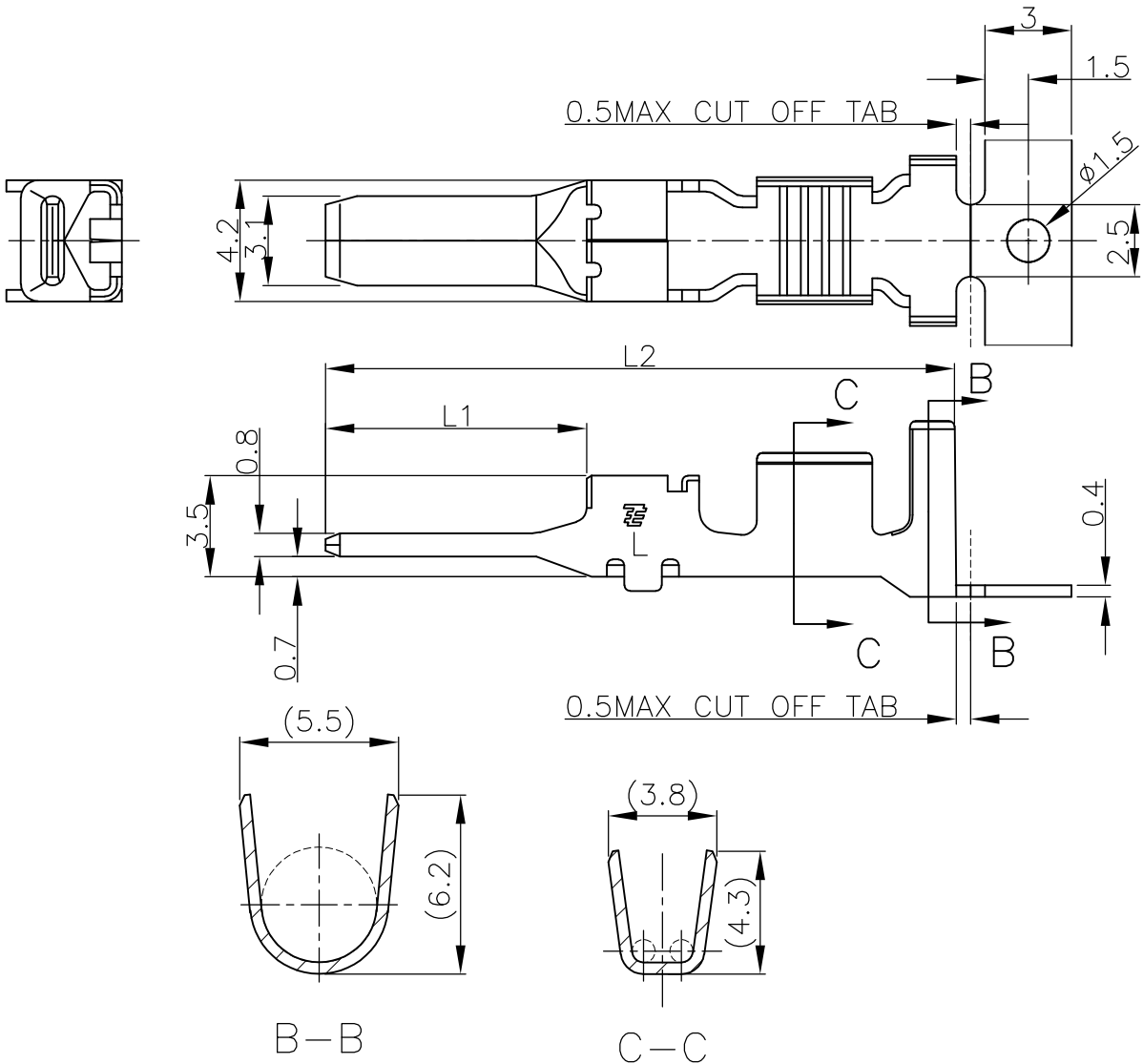


LOC J	DIST F	REVISIONS ???			DATE	DWN	APVD
P	LTR	DESCRIPTION			10AUG2010	T.T	T.M
	A	REVISED ECR-10-016584					



L SIZE

1. 一般公差 : ±0.25
2. 材料 : 2材料 : 銅合金全面Niめっき1.3μm以上  
接点部金めっき0.38μm以上めっき
3. 適用電線 : AWG#14-#12(被覆外径 φ2.9~φ4.1)

1. GENERAL TOLERANCE: ±0.25
2. MATERIAL: COPPER ALLOY, FINISH: OVER NI PLATING 1.3um MIN.  
(CONTACT AREA) 0.38um MIN GOLD PLATING
3. APPLICABLE WIRE: AWG#14-#12 (INS DIAφ2.9~φ4.1)

25.5	12.75	1-1747416-2
21.8	9.05	1747416-2
L2	L1	PART NUMBER

THIS DRAWING IS UNPUBLISHED. AUG, 2004.

ALL INTERNATIONAL RIGHTS RESERVED.

COPYRIGHT 2004 BY TYCO ELECTRONICS CORPORATION.

THIS DRAWING IS UNPUBLISHED.

DIMENSIONS: ??? ? mm	DWN T.KUDO	26AUG2004	MATERIAL ??	COPPER ALLOY	FINISH ??
	CHK D.MITSUGI	26AUG2004	Tyco Electronics Corporation Kawasaki, Japan		
TOLERANCES UNLESS OTHERWISE SPECIFIED: ????	APVD D.MITSUGI	26AUG2004			
0 PLC ± - 1 PLC ± - 2 PLC ± - 3 PLC ± - 4 PLC ± - ANGLES ± -	PRODUCT SPEC ????	108-78182		NAME ??	DYNAMIC D-4200 TAB CONTACT L SIZE
	APPLICATION SPEC ??????	114-5369		SIZE	A4
WEIGHT		A4 00779		DRAWING NO ??	C-1747416
CUSTOMER DRAWING			SCALE ??	4:1	SHEET 1 OF 1
					RESTRICTED TO
					REV A