

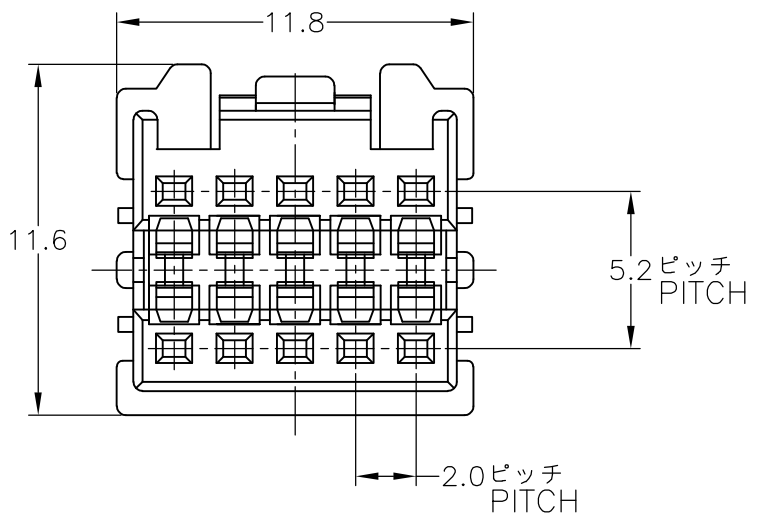
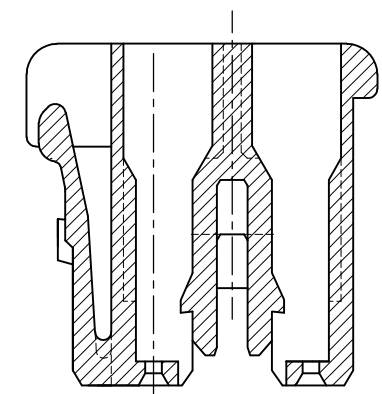
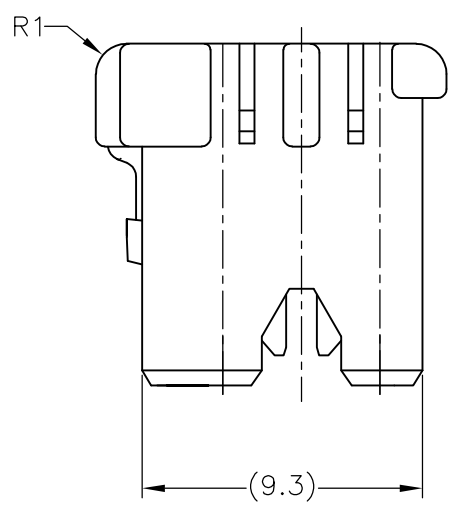
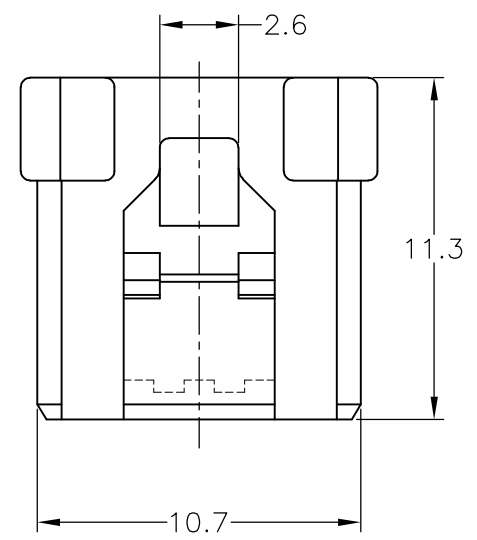
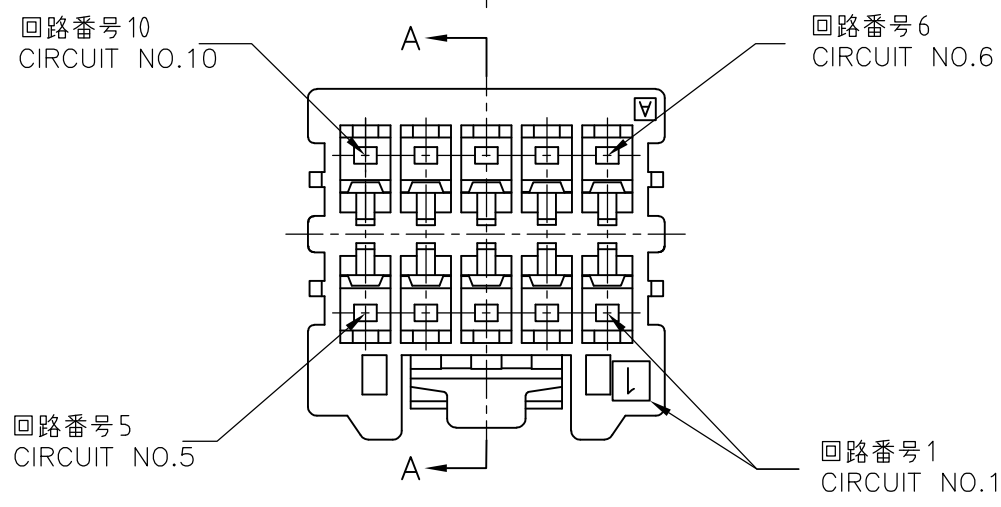
THIS DRAWING IS UNPUBLISHED. RELEASED FOR PUBLICATION JUN, 2004.  
 © COPYRIGHT 2004 BY TYCO ELECTRONICS CORPORATION. ALL INTERNATIONAL RIGHTS RESERVED.

LOC	DIST	REVISIONS 変更					
J	/	P	LTR	DESCRIPTION	DATE	DWN	APVD
		A1		REVISED ECR-10-019260	14SEP2010	T.T	T.M

\*-1747069-\*; AS SHOWN

- 1 一般公差: ±0.3, ±3°
- 2 材料: 66ナイロン ガラス強化 (UL94V-0)
- 3 かん合相手製品型番: 表参照のこと。
- 4 適用端子型番: 1747062-1

- 1 GENERAL TOLERANCE: ±0.3, ±3°
- 2 MATERIAL: 66NYLON GF (UL94V-0)
- 3 MATING CONN. P/N: SEE TABLE
- 4 APPLICABLE CONTACT P/N: 1747062-1



X-1747070-1	10	黄 (YELLOW)	3-1747069-1
		青 (BLUE)	2-1747069-1
		赤 (RED)	1-1747069-1
		自然色 (NATURAL)	1747069-1
かん合相手側型番 (MATING CONN P/N)	極数 (POS.)	色調 (COLOR)	型番 (P/N)

THIS DRAWING IS A CONTROLLED DOCUMENT.		DWN T.HATANO 09JUN2004	Tyco Electronics Corporation Kawasaki, Japan	
DIMENSIONS: 単位: 耗 mm		CHK N.YAMASAKI 09JUN2004		
TOLERANCES UNLESS OTHERWISE SPECIFIED: 一般公差		APVD N.YAMASAKI 09JUN2004	NAME 名称 GRACE INERTIA CONNECTOR 2.0 PLUG HOUSING	
0 PLC ±		PRODUCT SPEC 製品規格 108-5359	SIZE	
1 PLC ±		APPLICATION SPEC 取付適用規格 114-5360	CAGE CODE	DRAWING NO 番号
2 PLC ±		WEIGHT	A3	00779
3 PLC ±		CUSTOMER DRAWING	SCALE 尺度 4:1	
4 PLC ±			SHEET 1 OF 1	
ANGLES ±		RESTRICTED TO		REV A1
FINISH 仕上		SCALE 4:1 SHEET 1 OF 1 REV A1		
MATERIAL 材料 SEE NOTE				