

THIS DRAWING IS UNPUBLISHED.

RELEASED FOR PUBLICATION

2003

© COPYRIGHT 2003

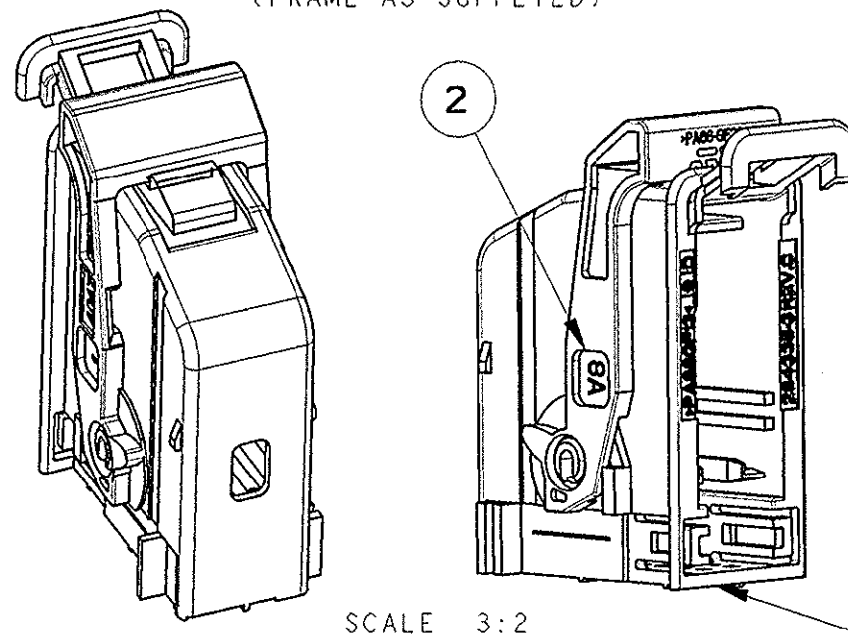
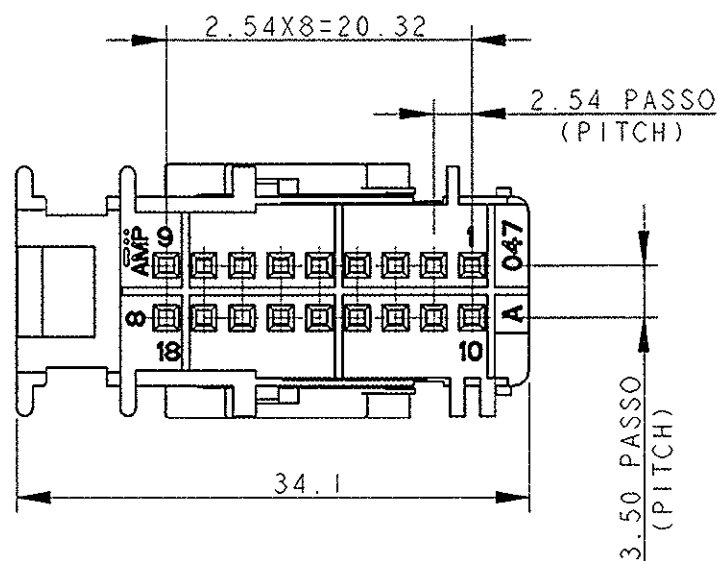
BY TYCO ELECTRONICS CORPORATION. ALL RIGHTS RESERVED.

LOC DIST

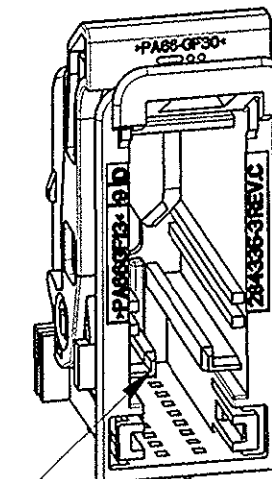
REVISIONS

P	LTR	DESCRIPTION	DATE	DWN	APVD
0		EMISSIONE PRELIMINARE (PRELIMINARY ISSUE)	10MAR2003	M.S.	O.C.
1		ERA (WAS) P/N 03-51039-1	04NOV2003	M.S.	O.C.
A		PRIMA EMISSIONE (FIRST ISSUE) ET00-0043-04	11JUN2004	M.P.	O.C.
AI		RELEASED FOR PRODUCTION (RILASCIATO IN PRODUZIONE) ET00-0239-04	04FEB2005	M.P.	O.C.

CORAZZA COME FORNITA (FRAME AS SUPPLIED)

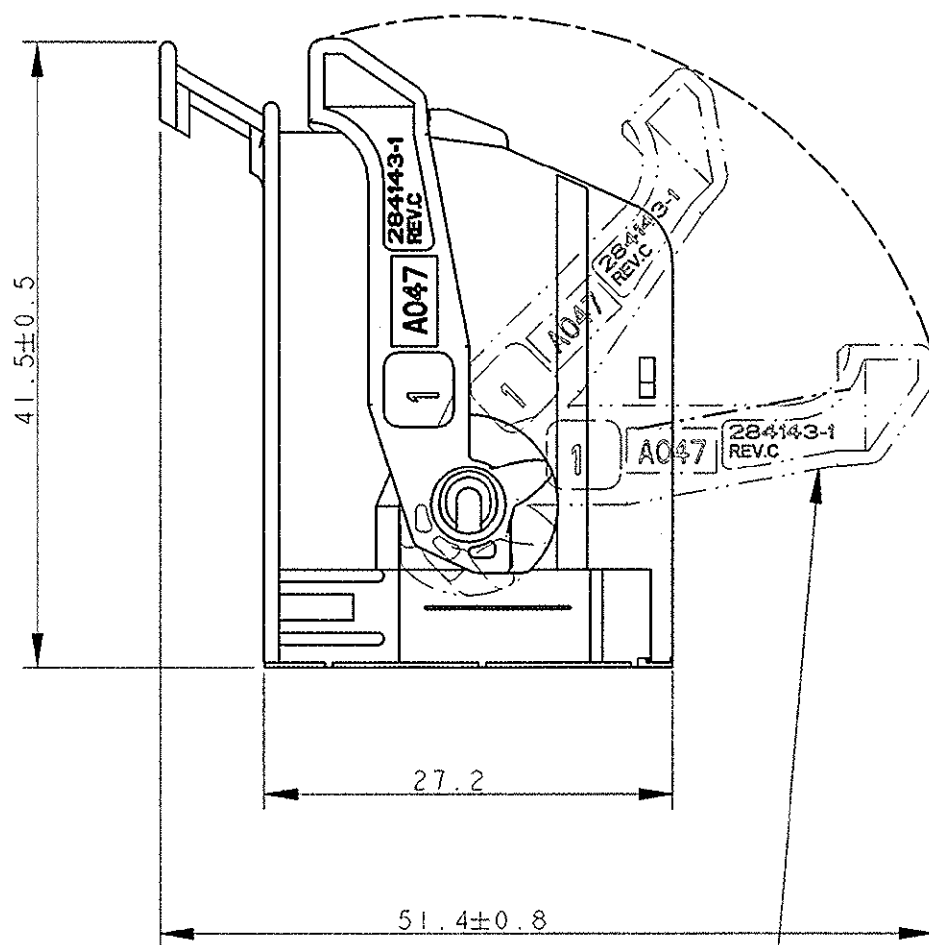


P/N 1745003-1 NERO COME MOSTRATO (BLACK AS SHOWN)

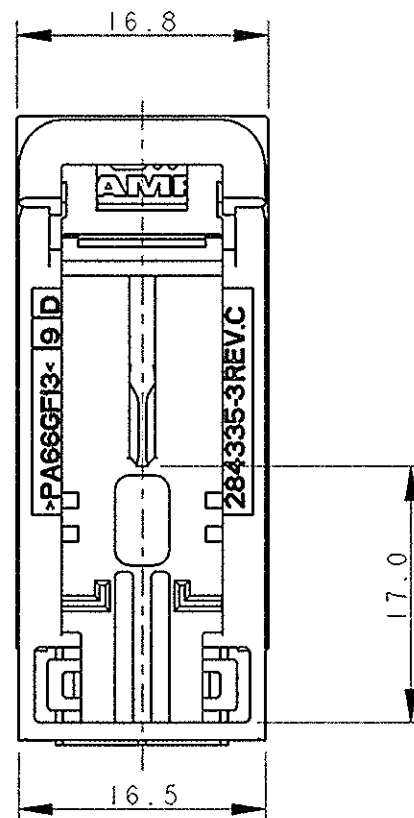


NOTE : (NOTES:)

- 1 SEDE ADATTA PER MODULO CRIMP P/N 1745005-1 (1745005-2 PER CONN. 1745003-2), VEDI TABELLA SU FOGLIO 2/2. (SLOT SUITABLE FOR CRIMP MODULE P/N 1745005-1 (1745005-2 ON CONN. 1745003-2), SEE TABLE ON SHEET 2 OF 2).
- 2 MATERIALE CORAZZA: PA 6.6 CARICATO VETRO, VEDI TABELLA SU FOGLIO 2/3 E 3/3 PER IL COLORE. (SHELL MATERIAL: PA 6.6 GLASS FIBER FILLED, SEE TABLE ON SHEET 2 OF 3 AND 3 OF 3 FOR THE COLOUR).
- 3 MATERIALE LEVA: PA 6.6 CARICATO VETRO COLORE ROSSO (LEVER MATERIAL: PA 6.6 GLASS FIBER FILLED COLOUR RED).
- 4) IL PRODOTTO VIENE FORNITO CON LEVA IN POSIZIONE CHIUSA. (THE FRAME IS SUPPLIED WITH LEVER IN CLOSED POSITION).



LEVA IN POSIZIONE APERTA (LEVER IN OPEN POSITION)



ITEM	DESCRIPTION (DESCRIZIONE)	MATERIAL/COLOR (MATERIALE/COLORE)	Q.TY (Q.TA')
1	18 POS. FRAME (CORAZZA 18 VIE)	PA66GF/BLACK or GRAY (NERO o GRIGIO)	1
2	LEVER (LEVA)	PA66 G.F./RED (ROSSO)	1

<small>THIS DRAWING IS A CONTROLLED DOCUMENT FOR TYCO ELECTRONICS CORPORATION. IT IS SUBJECT TO CHANGE AND THE CONTROLLING ENGINEERING ORGANIZATION SHOULD BE CONTACTED FOR THE LATEST REVISION.</small>		DWN 09APR2004 M. POLIZZI CHK 09APR2004 O. CANUTO APVD 09APR2004 A. GENTA		tyco Electronics AMP Italia S.p.A. C.so F.lli Cervi 15 Collegno (TO)	
DIMENSIONS: mm 		TOLERANCES UNLESS OTHERWISE SPECIFIED: 0 PLC ±0.3 1 PLC ±0.3 2 PLC ±0.3 3 PLC ± 4 PLC ± ANGLES ±1°		NAME FRAME 18 POS. CRIMP/CRIMP 2.54 mm PITCH	
MATERIAL 		FINISH 		SIZE A3 CAGE CODE 00779 DRAWING NO C-1745003 RESTRICTED TO -	
CUSTOMER DRAWING				SCALE 2:1 SHEET 1 OF 2 REV AI	

THIS DRAWING IS UNPUBLISHED.

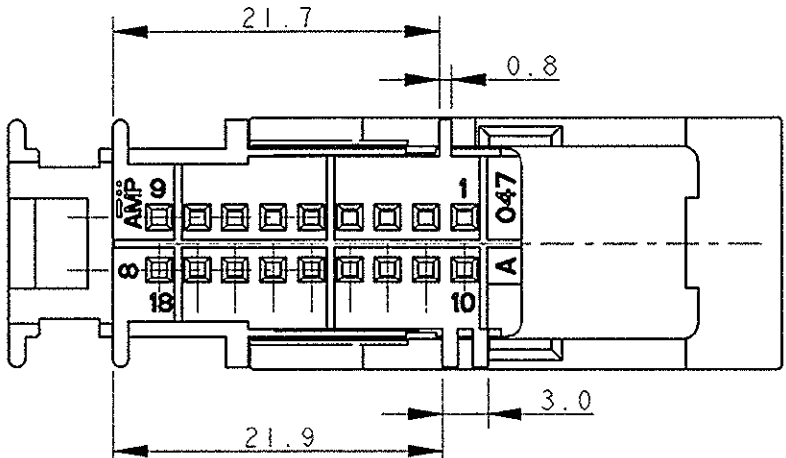
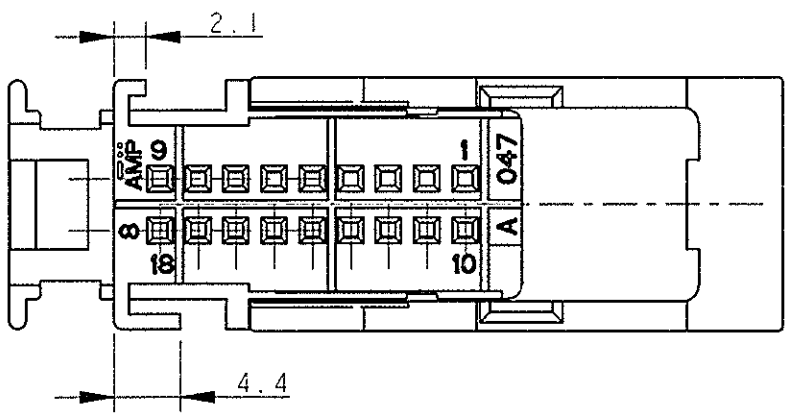
RELEASED FOR PUBLICATION

2003


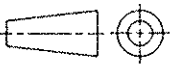
© COPYRIGHT 2003

BY TYCO ELECTRONICS CORPORATION. ALL RIGHTS RESERVED.

LOC	DIST	REVISIONS					
		P	LTR	DESCRIPTION	DATE	DWN	APVD
1	-	-	-	SEE SHEET 1	-	-	-

P/N	RAPPRESENTAZIONE GRAFICA (GRAPHICAL REPRESENTATION)	COLORE (COLOUR)	MODULO CRIMP (CRIMP MODULE) P/N	COLORE MODULO (MODULE COLOUR)	CONTROPARTE (COUNTERPART)
1745003-1		NERO (BLACK)	1745005-1	NERO (BLACK)	DIMA P/N 953466 (HEADER P/N 953466)
1745003-2		GRIGIO (GREY)	1745005-2	GRIGIO (GREY)	DIMA P/N 953466 (HEADER P/N 953466)

THIS DRAWING IS A CONTROLLED DOCUMENT FOR TYCO ELECTRONICS CORPORATION. IT IS SUBJECT TO CHANGE AND THE CONTROLLING ENGINEERING ORGANIZATION SHOULD BE CONTACTED FOR THE LATEST REVISION.

DIMENSIONS:	TOLERANCES UNLESS OTHERWISE SPECIFIED:	DWN	09APR2004	 AMP Italia S.p.A. C.so F.lli Cervi 15 Collegno (TO)
mm	0 PLC ±0.3	CHK	M. POLIZZI	
	1 PLC ±0.3	APVD	O. CANUTO	
	2 PLC ±0.3	PRODUCT SPEC	A. GENTA	
	3 PLC ±	APPLICATION SPEC		NAME
	4 PLC ±	WEIGHT		FRAME 18 POS. CRIMP/CRIMP 2.54 mm PITCH
MATERIAL	FINISH	CUSTOMER DRAWING	A3 00779	SIZE
			©=1745003	CAGE CODE
				DRAWING NO
				RESTRICTED TO
				SCALE
				2.1
				SHEET
				2 OF 2
				REV
				A1