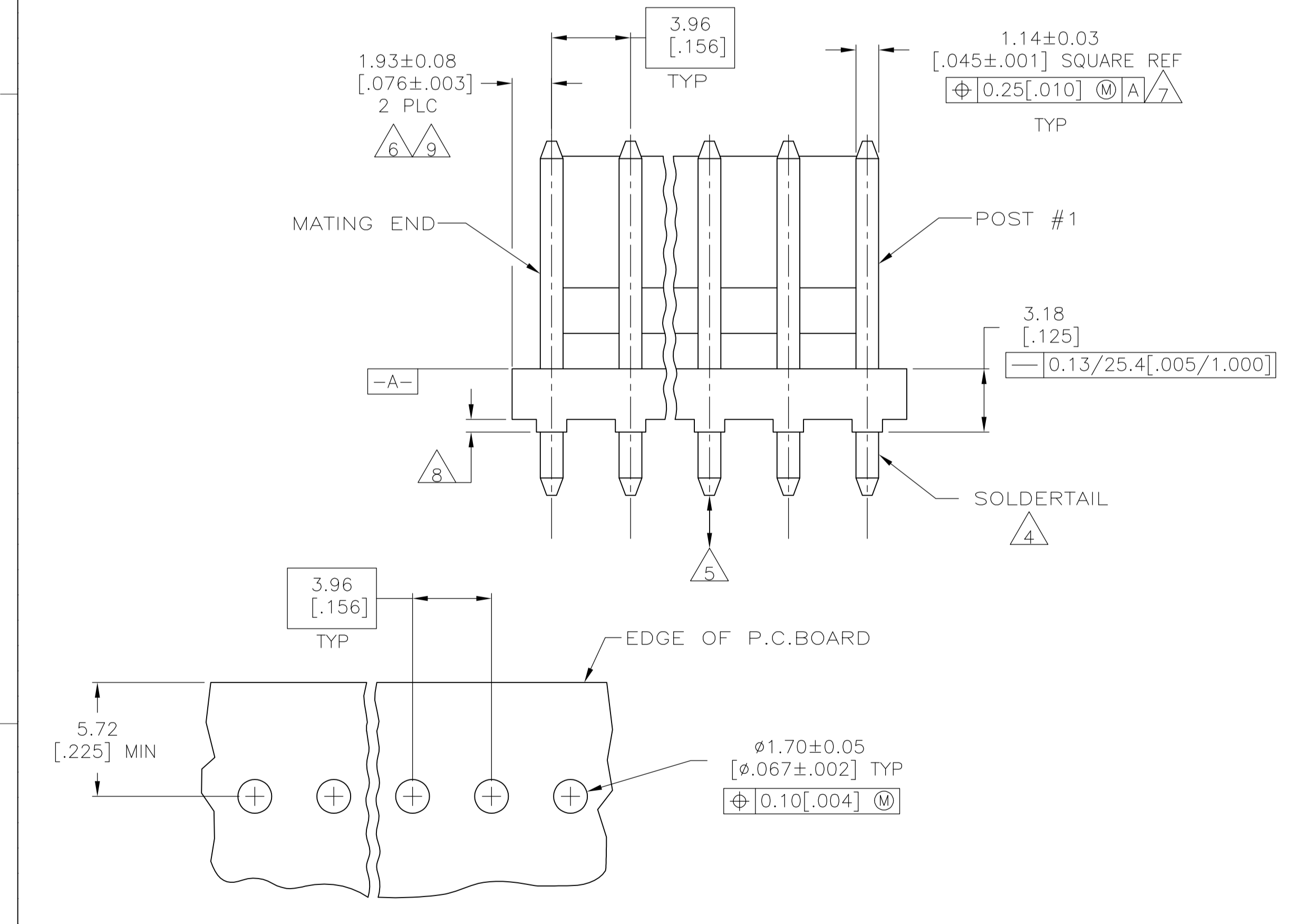
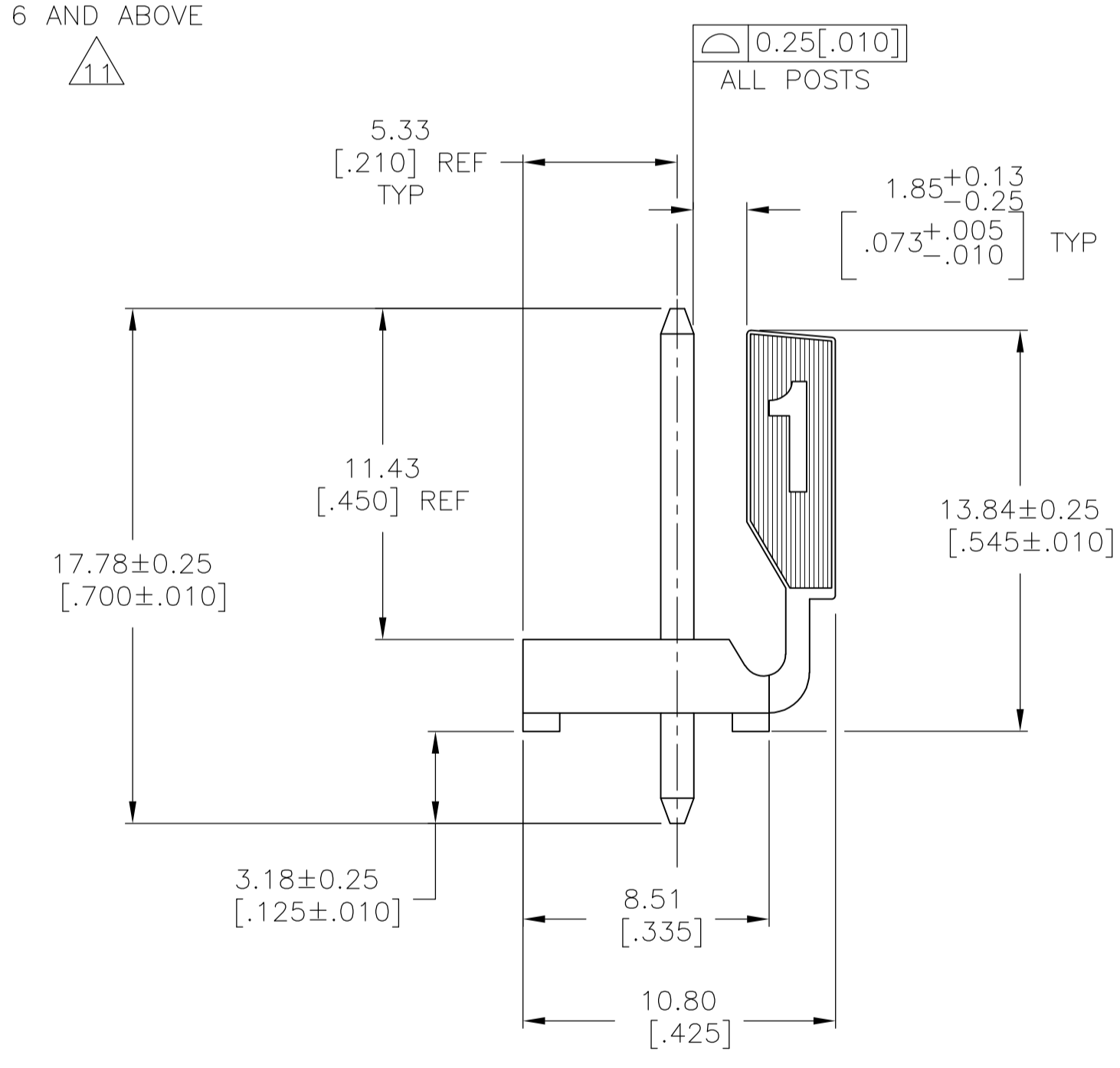


- 1 MATERIAL  
HOUSING: THERMOPLASTIC POLYESTER, GLASS FILLED, UL94V-0.  
POST: COPPER ALLOY
- 2 FINISH  
HOUSING: NATURAL  
POST: MATTE TIN PLATE 0.000150 MIN THICK OVER NICKEL.
- 3 UL MARKING MAY NOT APPEAR ON THE 2 OR 3 POSITION SIZES.  
CSA MARKING MAY NOT APPEAR ON THE 2 POSITION SIZE.
- 4 POST SOLDER TAILS COMPLY WITH AMP SOLDERABILITY SPEC 109-11-2.
- 5 POST WITHSTANDS 13.34N [3 LB] MIN AXIAL FORCE IN EITHER DIRECTION WITHOUT DISLODGING.
- 6 APPLIES AT [-A-]
- 7 APPLIES WHEN THE HEADER IS STRAIGHT.
- 8 PLASTIC PROJECTIONS PERMITTED IN THIS ZONE.
- 9 COORDINATE DIMENSIONS APPLIES FROM THE CENTER OF THE ACTUAL FEATURE.
- 10 SOLDER SIDE OF BOARD IS SHOWN.
- 12 ALL POSITION SIZES HAVE THE BACKWALL NOTCHED ON BOTH ENDS AS SHOWN. THE 2 THRU 5 POSITION SIZES HAVE SOLID BACKWALLS. POSITION SIZES 6 AND ABOVE HAVE AN INTERRUPTED BACKWALL AT VARIOUS LOCATIONS (SEE TABLE FOR INTERRUPTION(S) LOCATIONS).
- 13 EDGE OF POLARIZING LOCK WALL TO BE IN LINE WITH CENTERLINE OF ADJACENT POST WITHIN ±0.13 [.005]
- 14 NOTCH SHOWN MAY OR MAY NOT APPEAR.



INTERRUPTED WALL FOR POSITION SIZES 6 AND ABOVE



RECOMMENDED MOUNTING HOLE PATTERN FOR 1.57 [.062] THICK P.C. BOARD

| POSITIONS                             | LENGTH        | NO. OF POSNS | PART NO.    |
|---------------------------------------|---------------|--------------|-------------|
| 4&5, 7&8, 11&12, 14&15                | 71.20 [2.803] | 18           | 1-1744516-8 |
| 4&5, 7&8, 10&11, 13&14                | 67.23 [2.647] | 17           | 1-1744516-7 |
| 4&5, 8&9, 12&13                       | 63.27 [2.491] | 16           | 1-1744516-6 |
| 4&5, 8&9, 11&12                       | 59.31 [2.335] | 15           | 1-1744516-5 |
| 4&5, 7&8, 10&11                       | 55.35 [2.179] | 14           | 1-1744516-4 |
| 4&5, 7&8, 10&11                       | 51.38 [2.023] | 13           | 1-1744516-3 |
| 4&5, 8&9                              | 47.42 [1.867] | 12           | 1-1744516-2 |
| 4&5, 7&8                              | 43.46 [1.711] | 11           | 1-1744516-1 |
| 3&4, 7&8                              | 39.50 [1.555] | 10           | 1-1744516-0 |
| 3&4, 6&7                              | 35.53 [1.399] | 9            | 1744516-9   |
| 4&5                                   | 31.57 [1.243] | 8            | 1744516-8   |
| 4&5                                   | 27.61 [1.087] | 7            | 1744516-7   |
| 3&4                                   | 23.65 [.931]  | 6            | 1744516-6   |
| NONE                                  | 19.69 [.775]  | 5            | 1744516-5   |
| NONE                                  | 15.72 [.619]  | 4            | 1744516-4   |
| NONE                                  | 11.76 [.463]  | 3            | 1744516-3   |
| NONE                                  | 7.80 [.307]   | 2            | 1744516-2   |
| BACKWALL INTERRUPTION(S) BETWEEN POST | L             | NO. OF POSN  | PART NO.    |

PRELIMINARY - NOT RELEASED FOR PRODUCTION

THIS DRAWING IS A CONTROLLED DOCUMENT. DIMENSIONS: mm [NCHES]. TOLERANCES UNLESS OTHERWISE SPECIFIED: 0 PLC ±, 1 PLC ±, 2 PLC ± 0.13 [.005], 3 PLC ±, 4 PLC ±, ANGLES ±. MATERIAL: 1. FINISH: 2. THIS DRAWING IS A CONTROLLED DOCUMENT. DWN: KIRAN HOLAL 10OCT12. CHK: SAM MACE 10OCT12. APVD: SAM MACE 10OCT12. NAME: MTA-156 HEADER ASSEMBLY, POLARIZED LOCK, STRAIGHT, .045 SQUARE POST, TIN PLATED, WITHOUT RETENTION PEGS, GLOW WIRE. SIZE: A1. CAGE CODE: 00779. DRAWING NO: 1744516. WEIGHT: -. RESTRICTED TO: CUSTOMER DRAWING. SCALE: 5:1. SHEET: 1 OF 1. REV: 1.