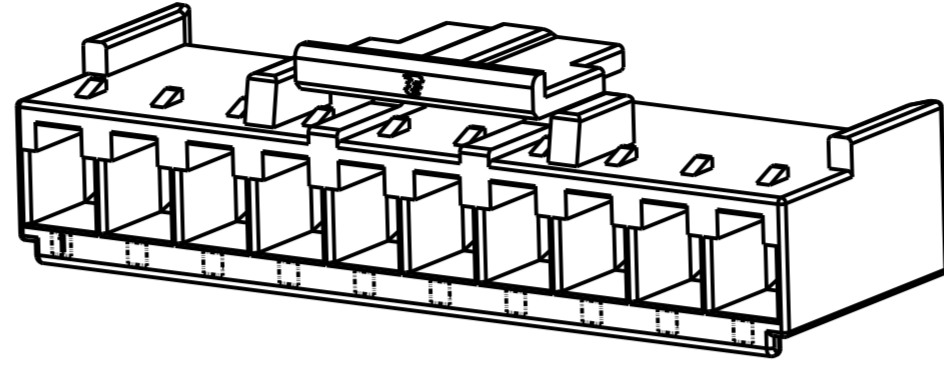
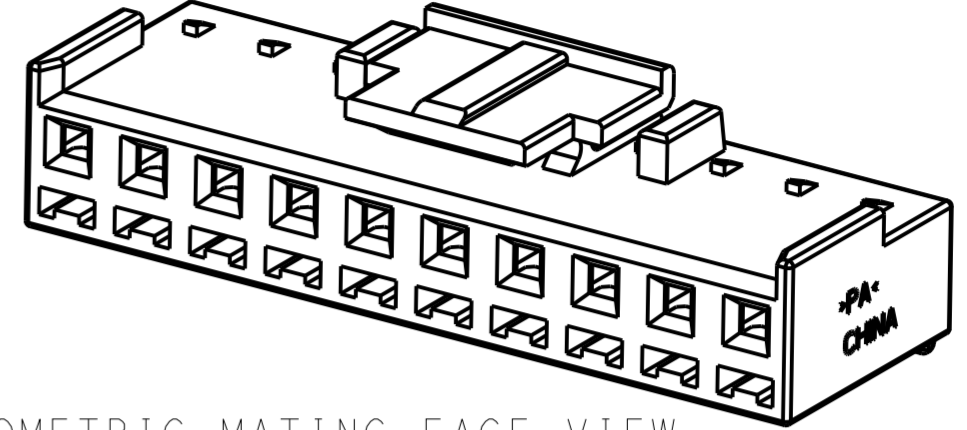


THIS DRAWING IS UNPUBLISHED. RELEASED FOR PUBLICATION 20  
 © COPYRIGHT 20 Tyco Electronics AMP GmbH ALL RIGHTS RESERVED.

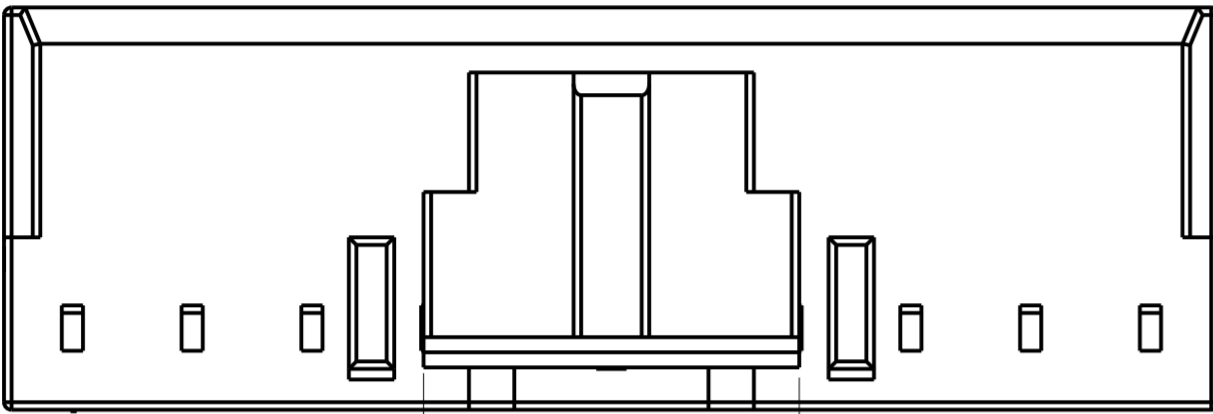
LOC	DIST	REVISIONS					
GP	00	P	LTR	DESCRIPTION	DATE	DWN	APVD
		B		REVISED PER ECR-14-007967	19JUN2014	NK	MS



ISOMETRIC REAR VIEW  
(10 POSITION SHOWN)



ISOMETRIC MATING FACE VIEW  
(10 POSITION SHOWN)



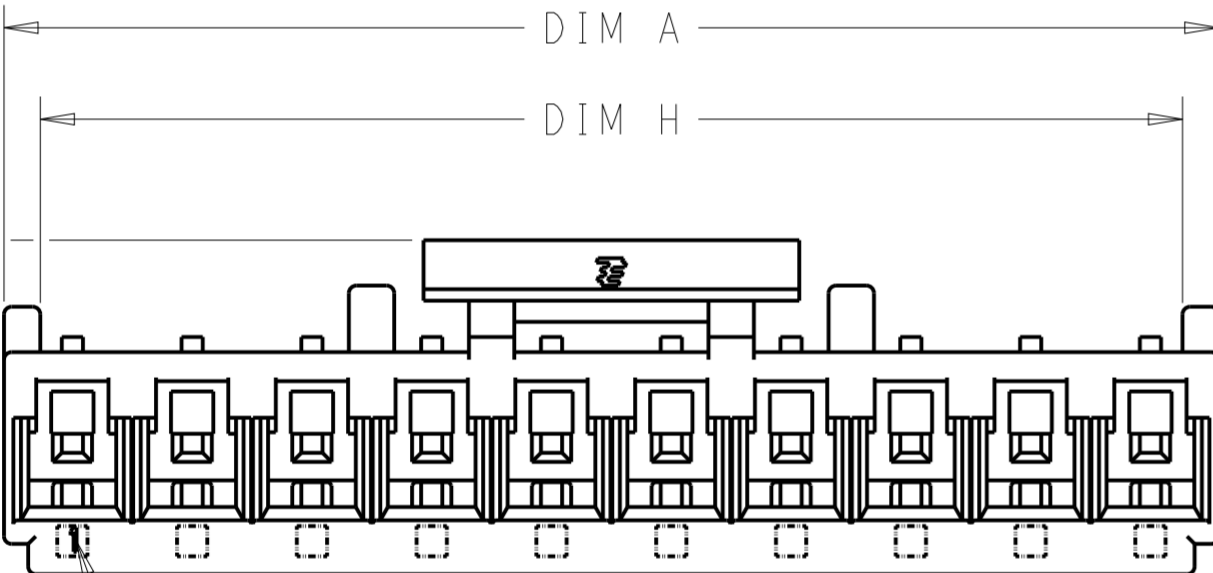
DIM F

⚠ MATERIAL: NYLON, UL94V-0 FLAME RETARDENT, COLOR: BLACK

2 HOUSINGS TO USE "RETAINER":

"BREAKAWAY RETAINER" P/N: 1-2132782-2 (12 POSITION),  
 12 POSITION PART TO BE SEPERATED AT APPROPRIATE NOTCHES TO FIT 2 POSITION THRU 11 POSITION HOUSINGS

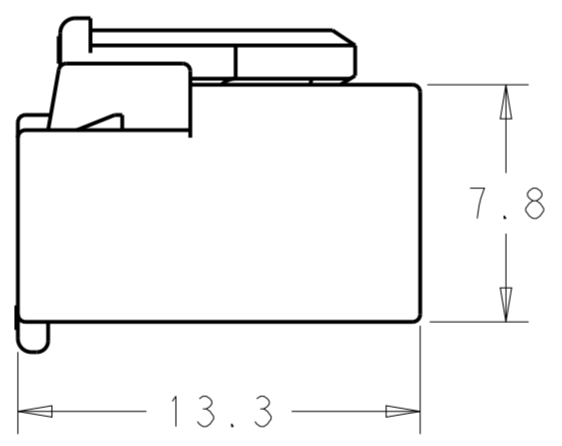
"NORMAL RETAINER" P/N: X-1744544-X  
 WHERE XX IS THE NUMBER OF POSITIONS.



DIM A

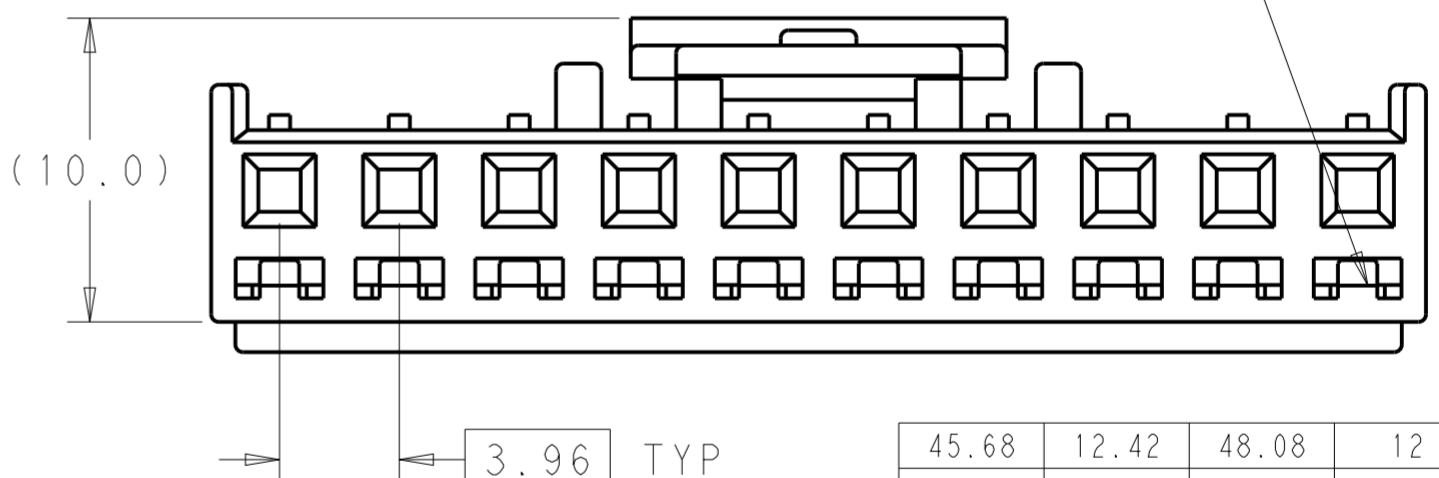
DIM H

(11.0)



7.8

13.3



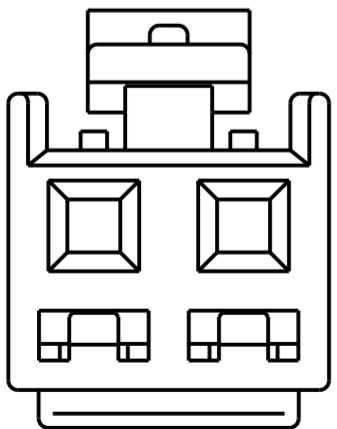
(10.0)

3.96 TYP

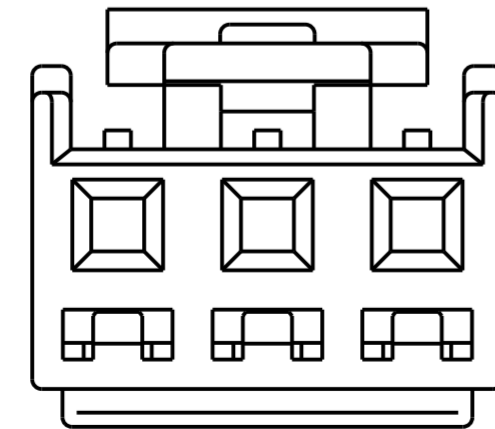
CIRCUIT #1

CIRCUIT #1

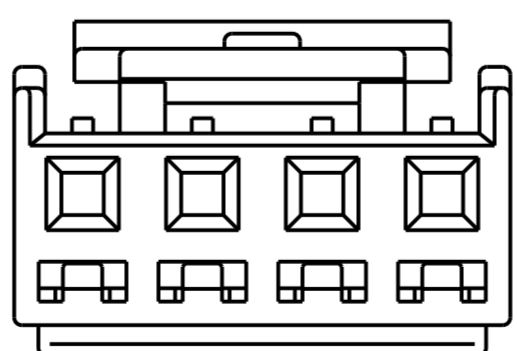
45.68	12.42	48.08	12	1-1744498-2
41.72	8.46	44.12	11	1-1744498-1
37.76	12.42	40.16	10	1-1744498-0
33.80	8.46	36.20	9	1744498-9
29.84	12.42	32.24	8	1744498-8
25.88	8.46	28.28	7	1744498-7
21.92	12.42	24.32	6	1744498-6
17.96	8.46	20.36	5	1744498-5
14.36	12.42	16.40	4	1744498-4
10.40	8.46	12.44	3	1744498-3
6.44	4.50	8.48	2	1744498-2
DIM H	DIM F	DIM A	NO OF POSN	PART NUMBER



(2 POSITION SHOWN)



(3 POSITION SHOWN)



(4 POSITION SHOWN)

THIS DRAWING IS A CONTROLLED DOCUMENT.

DIMENSIONS:	TOLERANCES UNLESS OTHERWISE SPECIFIED:	DWN	31AUG2012
mm	0 PLC ±	KIRAN HOLAL	
	1 PLC ±0.5	CHK	31AUG2012
	2 PLC ±0.30	MACE SAM	
	3 PLC ±	APVD	31AUG2012
	4 PLC ±	MACE SAM	
	ANGLES ±5°	PRODUCT SPEC	
MATERIAL	FINISH	APPLICATION SPEC	
		WEIGHT	
		Customer Drawing	

STE TE Connectivity

RECEPTACLE HOUSING,  
 ECONOMY POWER II, 3.96 CENTERLINE  
 W/ RETAINING FEATURES, BLACK

SIZE: A2 CAGE CODE: 00779 DRAWING NO: C-1744498 RESTRICTED TO: -

SCALE: 1:1 SHEET 1 OF 1 REV B