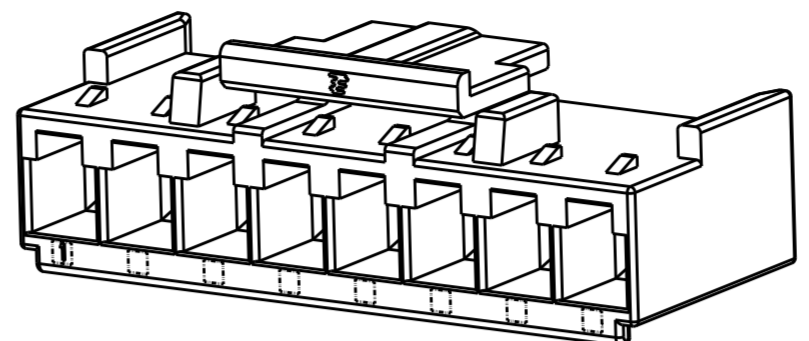
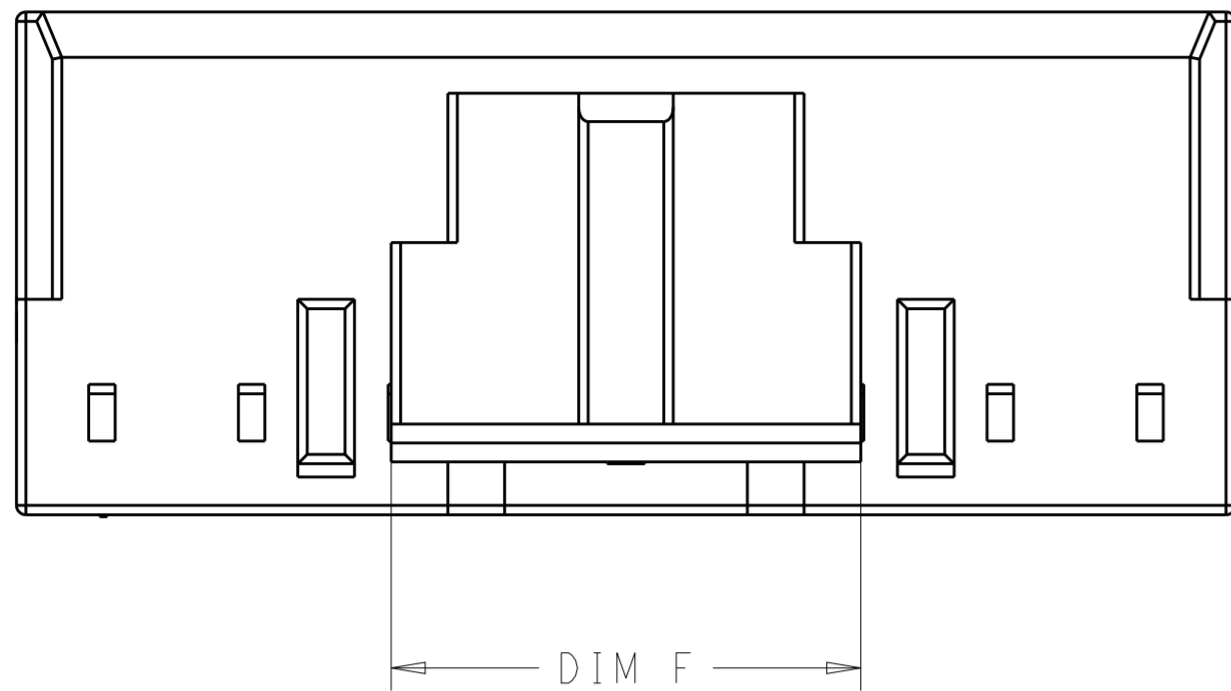
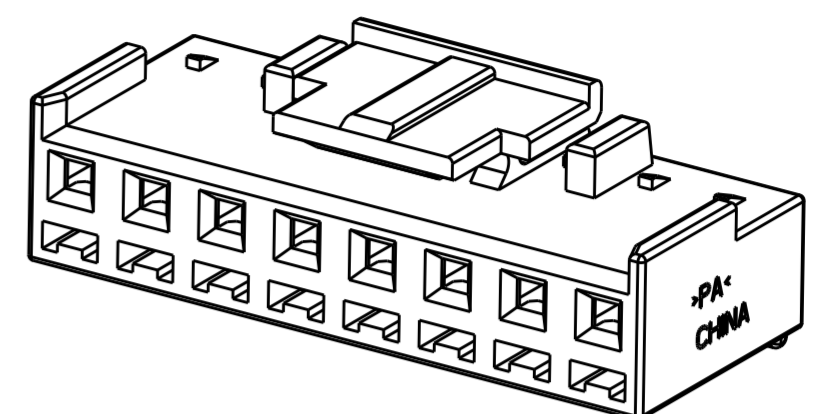


THIS DRAWING IS UNPUBLISHED. RELEASED FOR PUBLICATION 20
 © COPYRIGHT 20 Tyco Electronics AMP GmbH ALL RIGHTS RESERVED.

LOC	DIST	REVISIONS					
GP	00	P	LTR	DESCRIPTION	DATE	DWN	APVD
		B		REVISED PER ECR-14-007967	19JUN2014	NK	MS



ISOMETRIC REAR VIEW
(8 POSITION SHOWN)



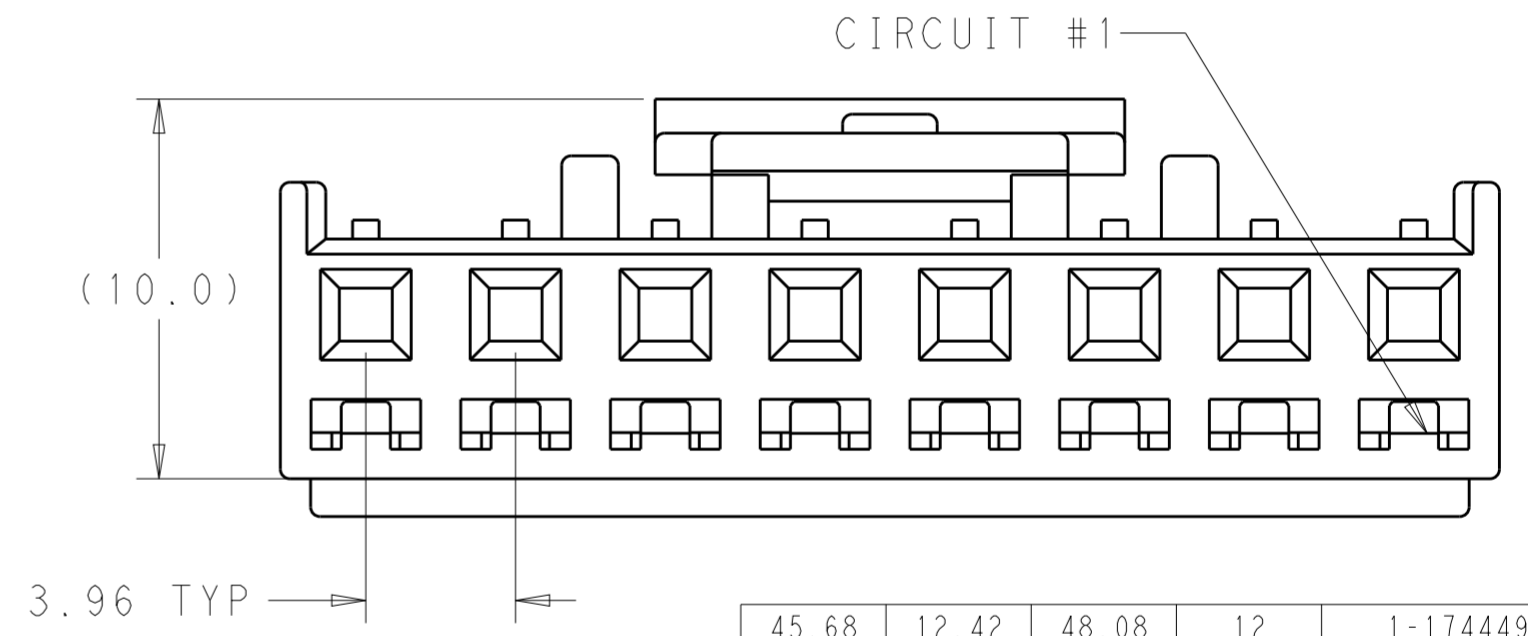
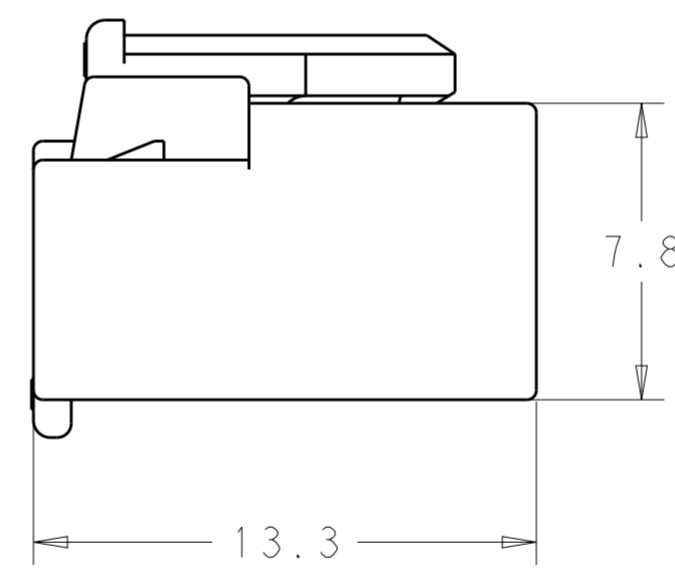
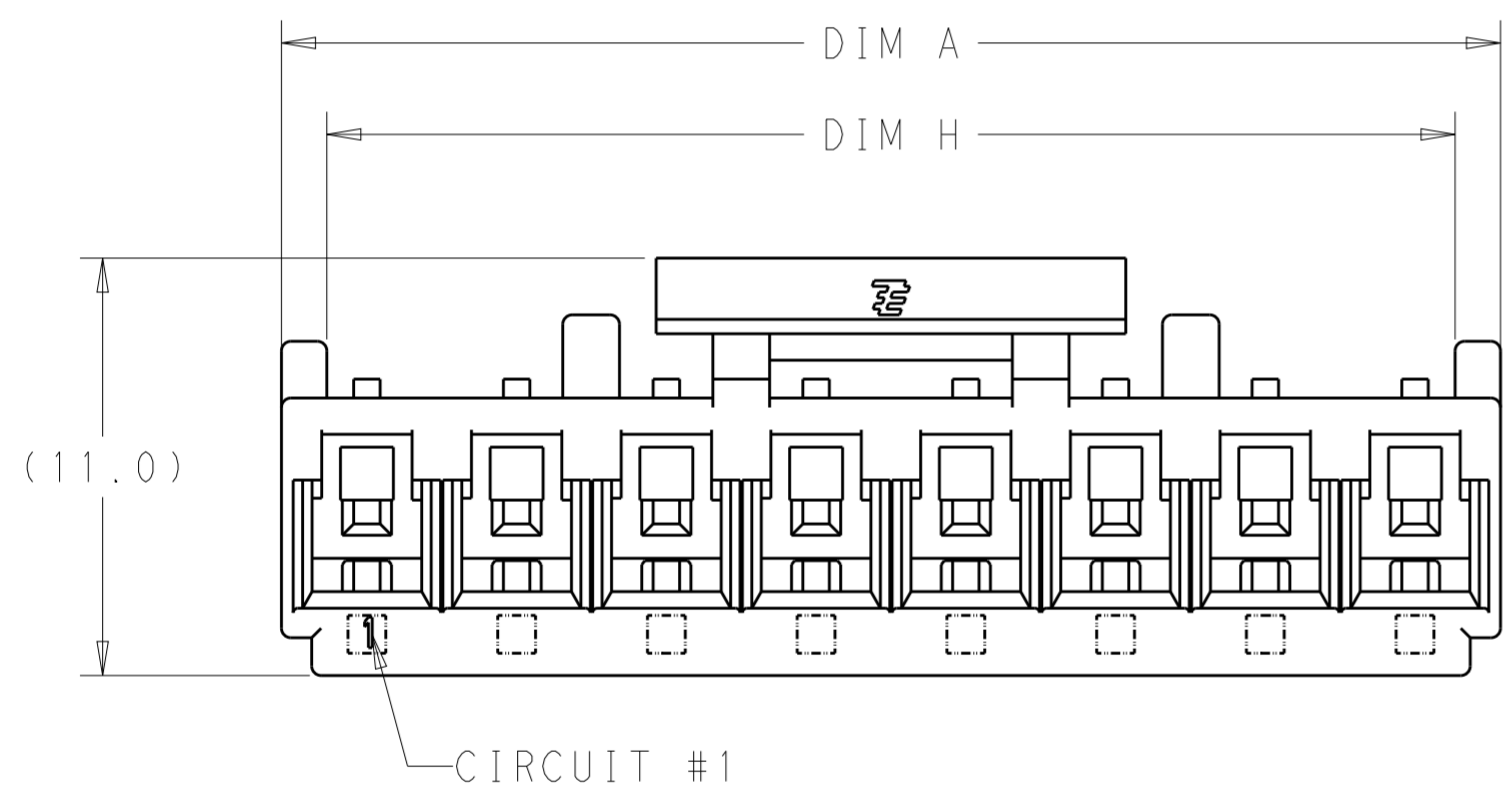
ISOMETRIC MATING FACE VIEW
(8 POSITION SHOWN)

1 MATERIAL: NYLON, UL94V-0 FLAME RETARDENT, COLOR: GREY

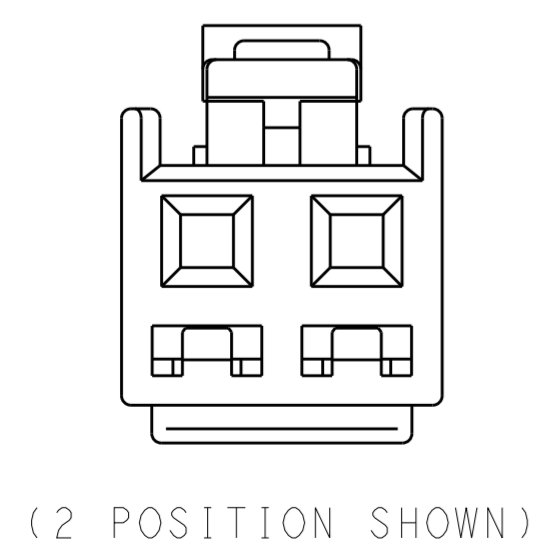
2 HOUSINGS TO USE "RETAINER":

"BREAKAWAY RETAINER" P/N: 1-2132782-2 (12 POSITION),
 12 POSITION PART TO BE SEPERATED AT APPROPRIATE NOTCHES TO FIT 2 POSITION THRU 11 POSITION HOUSINGS

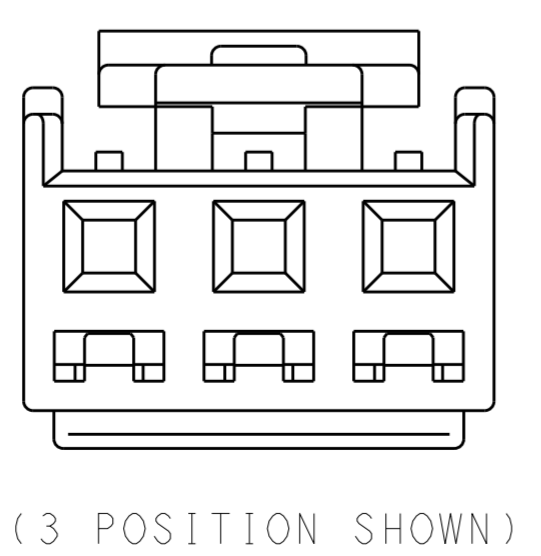
"NORMAL RETAINER" P/N: X-1744544-X
 WHERE XX IS THE NUMBER OF POSITIONS.



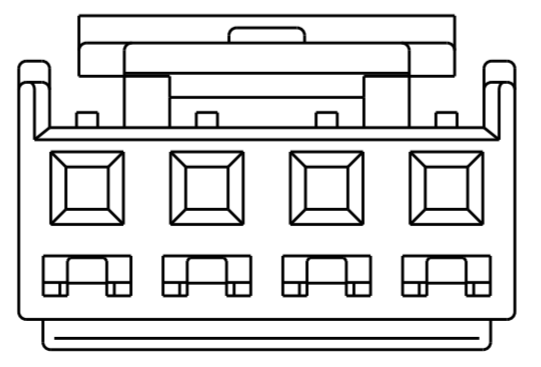
45.68	12.42	48.08	12	1-1744497-2
41.72	8.46	44.12	11	1-1744497-1
37.76	12.42	40.16	10	1-1744497-0
33.80	8.46	36.20	9	1744497-9
29.84	12.42	32.24	8	1744497-8
25.88	8.46	28.28	7	1744497-7
21.92	12.42	24.32	6	1744497-6
17.96	8.46	20.36	5	1744497-5
14.36	12.42	16.40	4	1744497-4
10.40	8.46	12.44	3	1744497-3
6.44	4.50	8.48	2	1744497-2
H	F	A	NO OF POSN	PART NUMBER



(2 POSITION SHOWN)



(3 POSITION SHOWN)



(4 POSITION SHOWN)

THIS DRAWING IS A CONTROLLED DOCUMENT.

DIMENSIONS:	TOLERANCES UNLESS OTHERWISE SPECIFIED:	DWN	21AUG2012	TE Connectivity RECEPTACLE HOUSING, ECONOMY POWER II, 3.96 CENTERLINE W/ RETAINING FEATURES, GREY			
mm	0 PLC ±0.5	CHK	21AUG2012				
	1 PLC ±0.30	APVD	21AUG2012				
	2 PLC ±	PRODUCT SPEC					
	3 PLC ±	APPLICATION SPEC		SIZE	CAGE CODE	DRAWING NO	RESTRICTED TO
	4 PLC ±	WEIGHT		A2	00779	C-1744497	
MATERIAL	ANGLES ±5°	Customer Drawing		SCALE	1:1	SHEET	1 OF 1
	FINISH						REV B