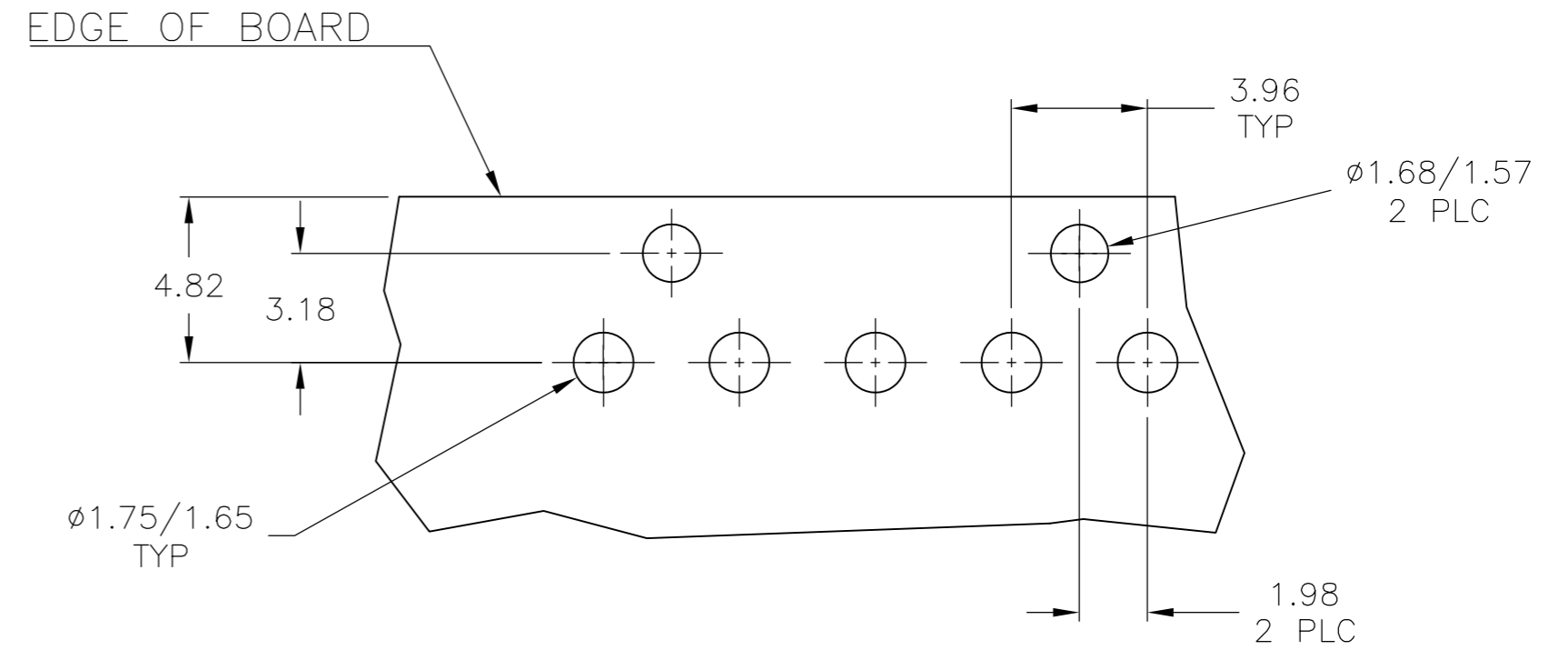
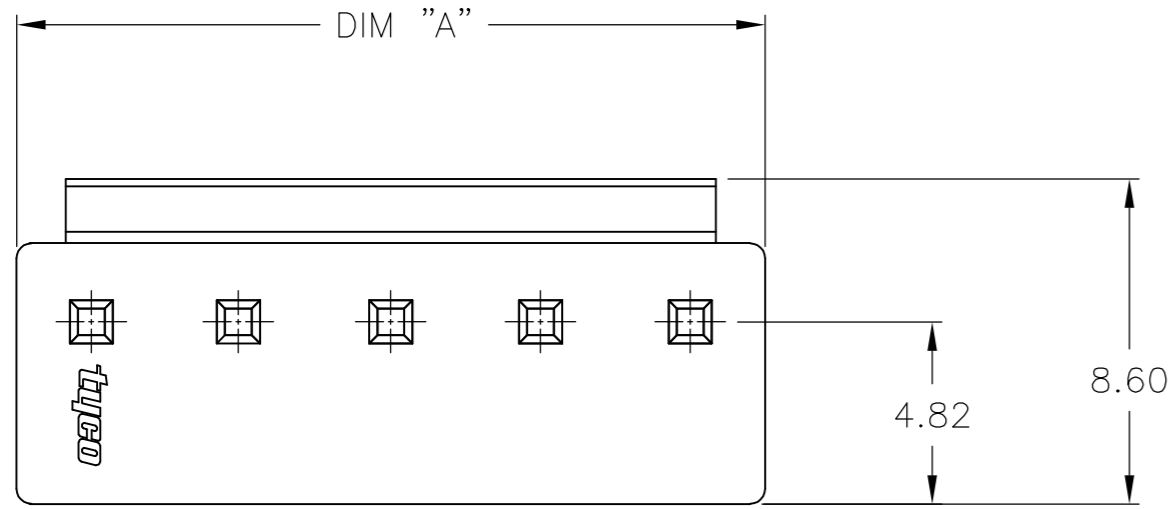
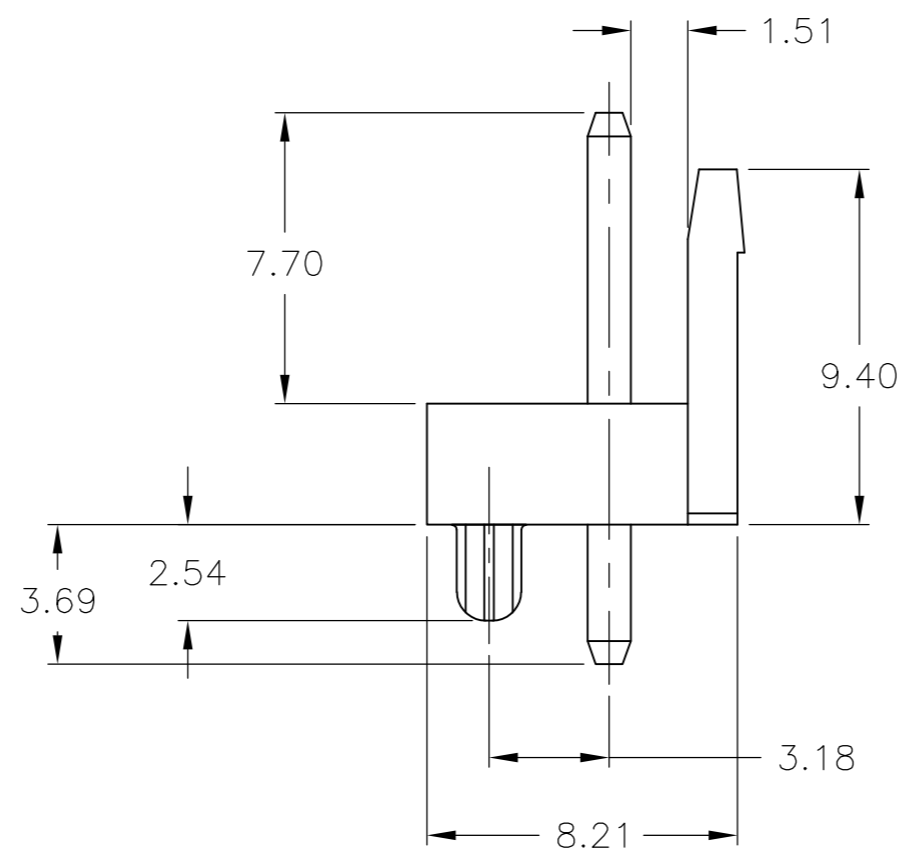
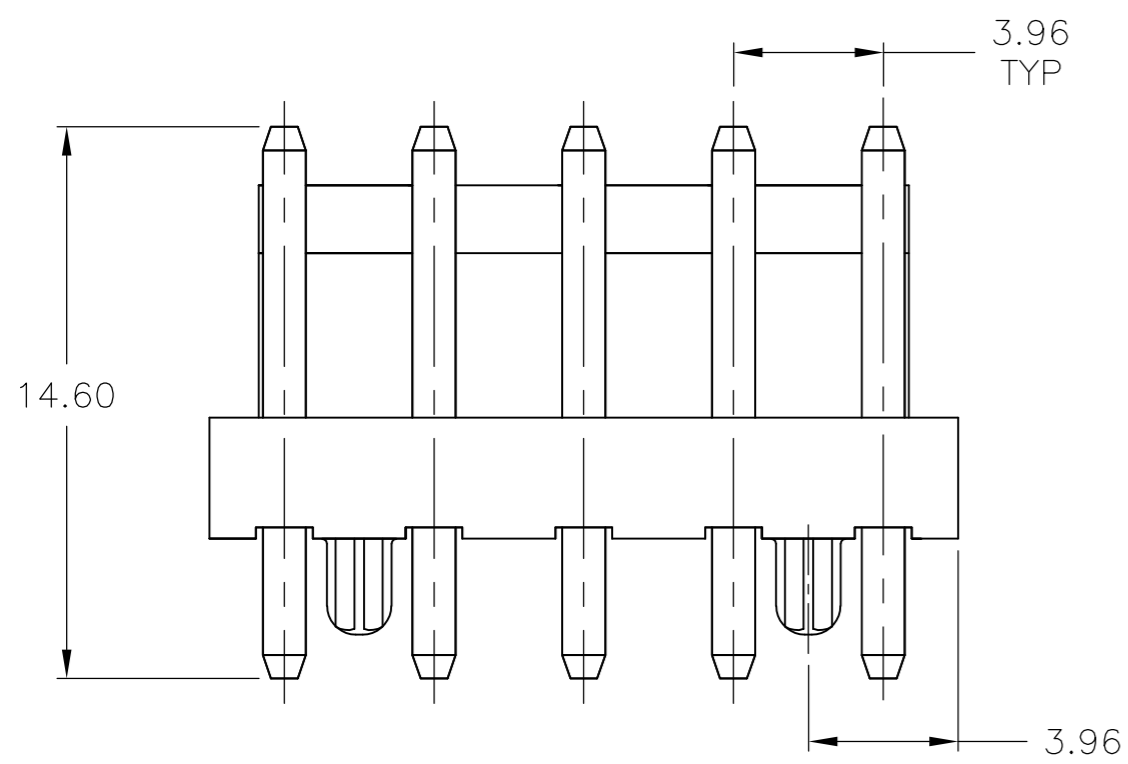


THIS DRAWING IS UNPUBLISHED. RELEASED FOR PUBLICATION  
 © COPYRIGHT By - ALL RIGHTS RESERVED.

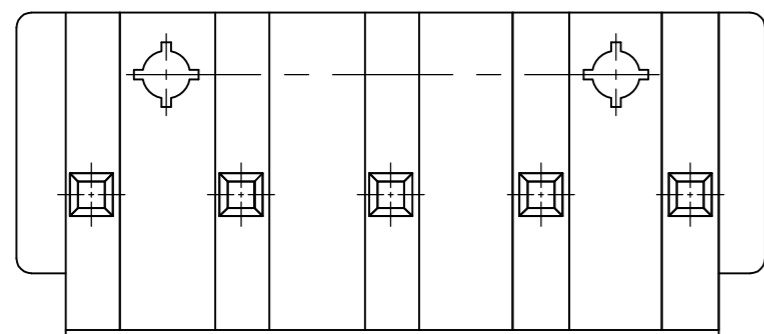
LOC		DIST		REVISIONS			
P	LTR	DESCRIPTION		DATE	DWN	APVD	
GP	00	A	REVISED PER ECR-14-001025	30JAN2014	NK	TM	



RECOMMENDED MOUNTING HOLE PATTERN FOR 1.6 [.063] THICK PC BOARD



"O" WITH PIN  
 "X" WITHOUT PIN



- HOUSING MATERIAL: POLYAMIDE (PA66) UL94-V0.
- CONTACT MATERIAL: BRASS
- CONTACT PLATING: 0.003 MIN TIN OVER 0.001 MIN NICKEL.
- VIEWS SHOW NO PINS MISSING FROM PART, SEE CHART.
- PARTS TESTED TO IEC 60695-2-11 AND IS COMPLIANT TO IEC 60335-1.
- HOUSING MATERIAL MEETS MINIMUM GLOW WIRE FLAMMABILITY INDEX OF 850°C PER IEC 60695-2-12 AND MINIMUM GLOW WIRE IGNITION TEMPERATURE OF 775°C PER IEC 60695-2-13.

8	7	6	5	4	3	2	1	COLOR	NO. OF POSITIONS	DIM "A"	PART NUMBER
0	0	0	0	0	X	0	0	NATURAL	8	31.68	2-1744435-8
			0	X	0	0	0	NATURAL	5	19.80	2-1744435-5
0	0	X	0	0	0	0	0	NATURAL	8	31.68	1744435-8
			0	X	0	0	0	NATURAL	7	27.72	1744435-7
			0	0	X	0	0	NATURAL	6	23.76	1744435-6
			0	0	0	X	0	NATURAL	5	19.80	1744435-5

THIS DRAWING IS A CONTROLLED DOCUMENT.		DWN	JR RUTH	27JAN12	 TE Connectivity
DIMENSIONS: mm		CHK	SAM MACE	27JAN12	
TOLERANCES UNLESS OTHERWISE SPECIFIED:		APVD	SAM MACE	27JAN12	
0 PLC ± 1 PLC ± 2 PLC ± 0.20 3 PLC ± - 4 PLC ± ANGLES ±		PRODUCT SPEC	NAME		
MATERIAL SEE NOTES		FINISH -		WEIGHT	APPLICATION SPEC
		CUSTOMER DRAWING		SCALE 5:1	SHEET 1 OF 1 REV A

1744435