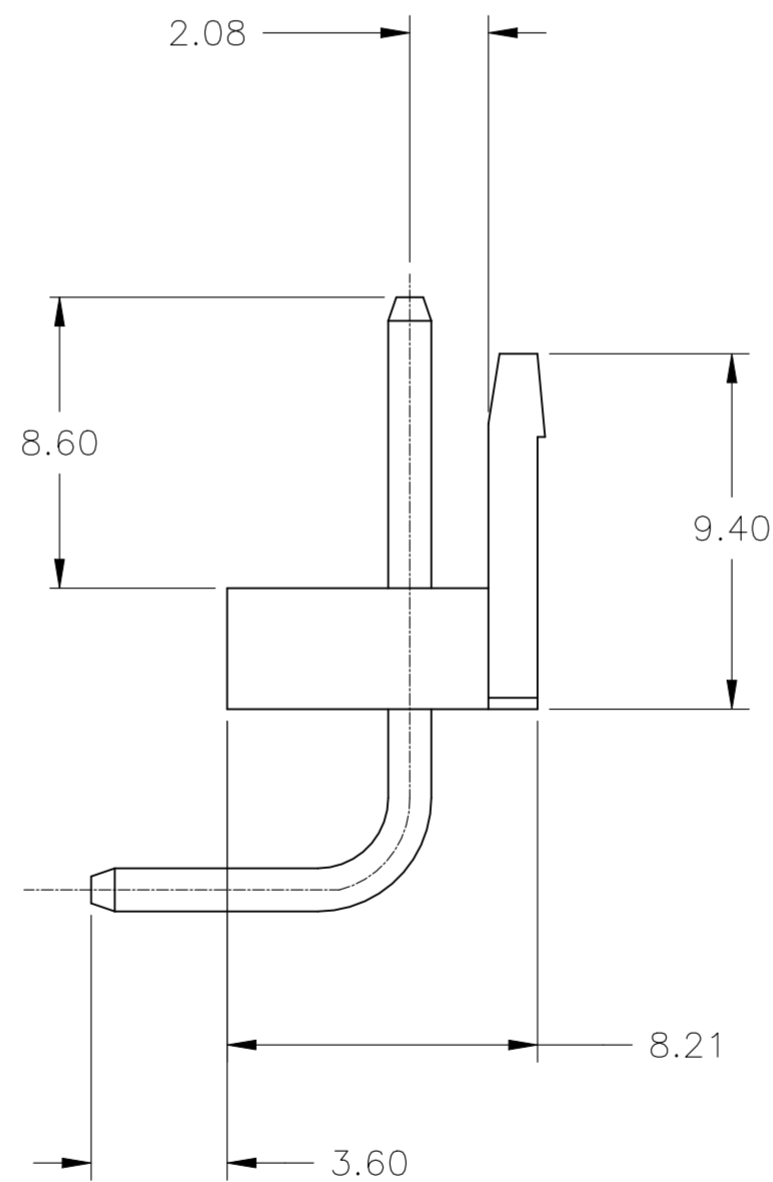
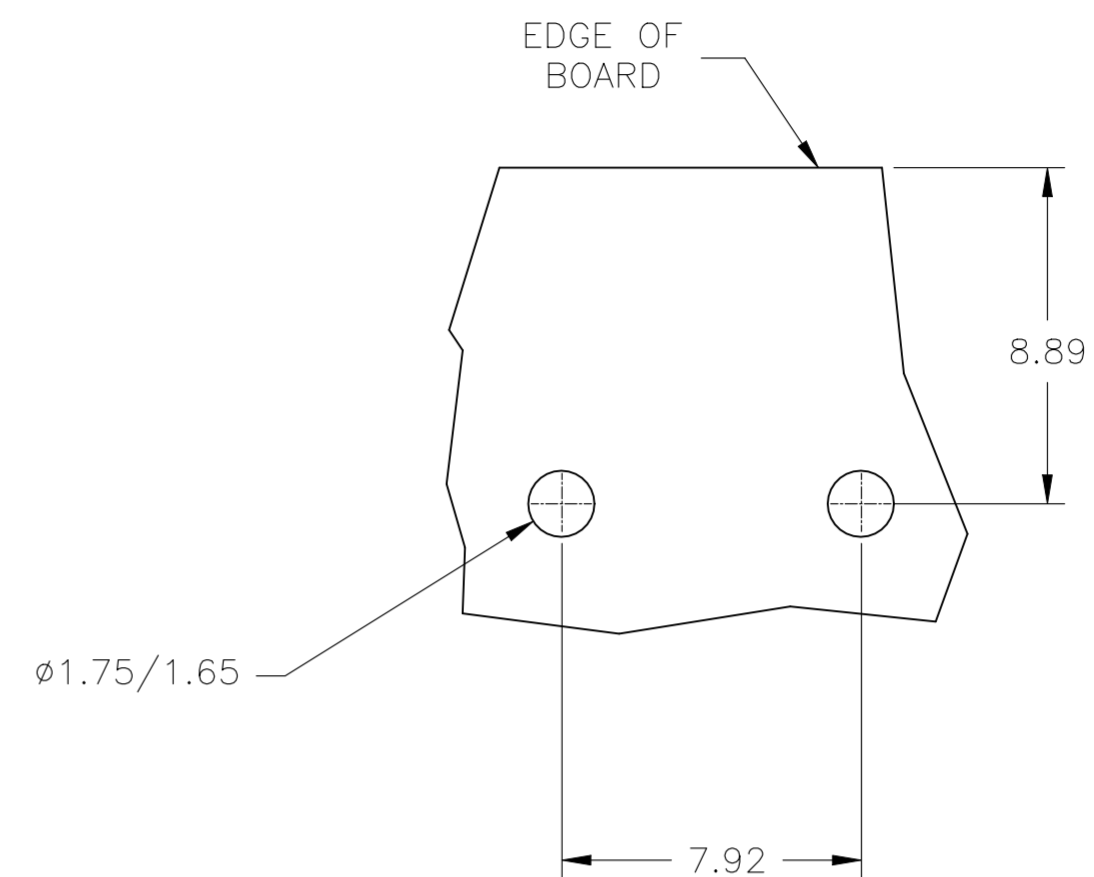
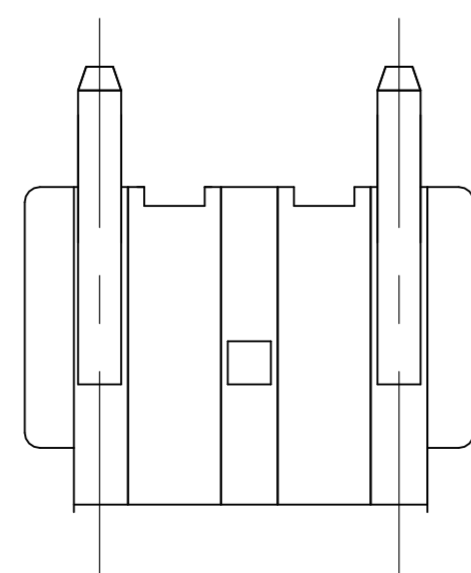
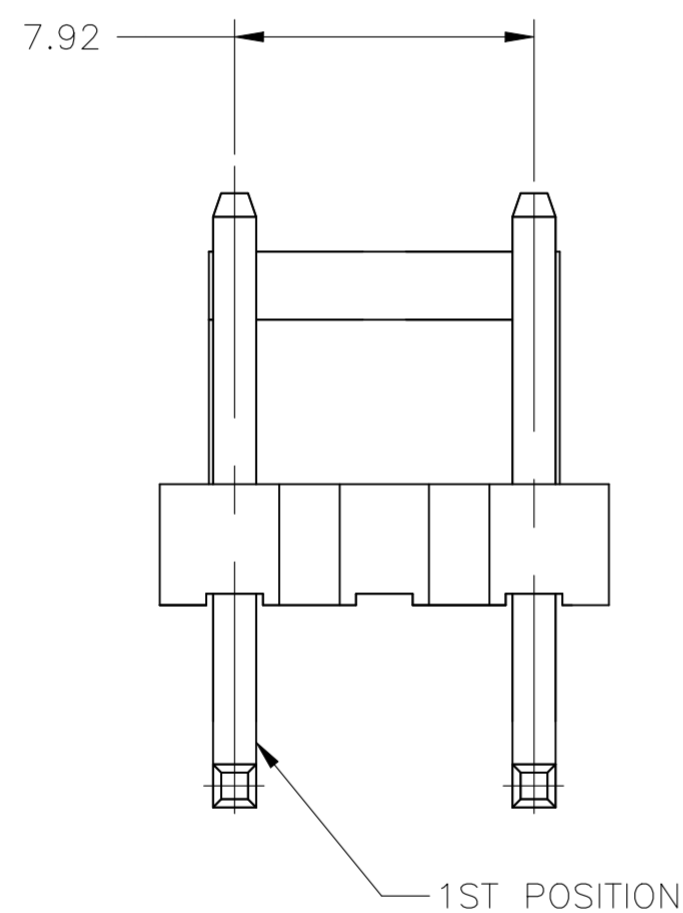
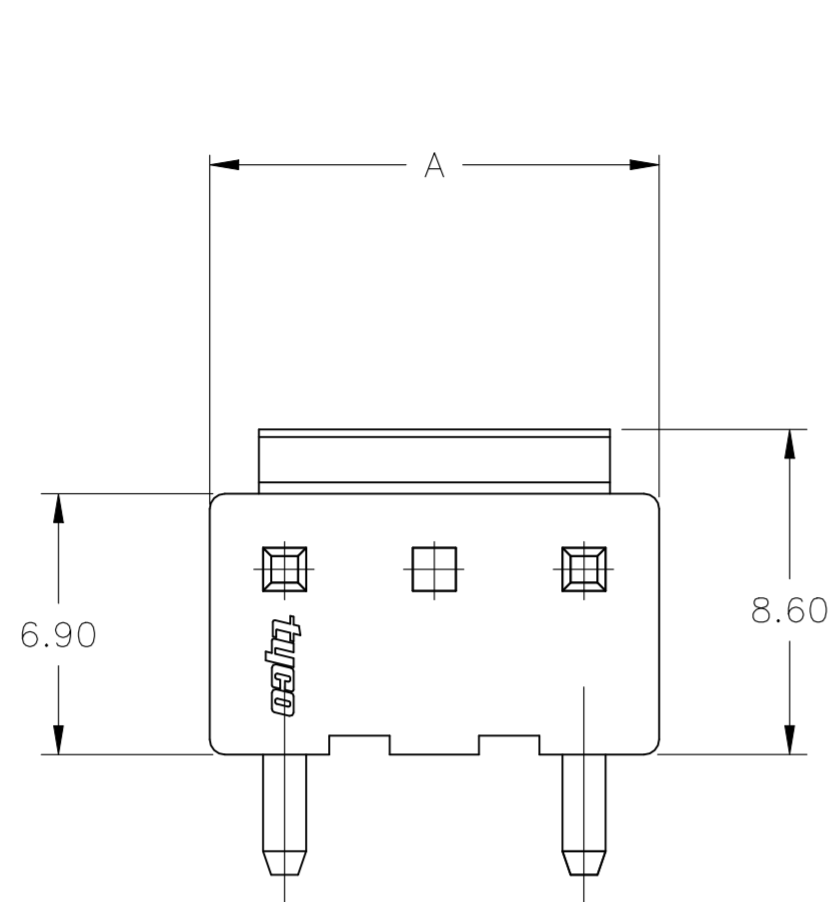


REVISIONS					
P	LTR	DESCRIPTION	DATE	DWN	APVD
D		REVISED PER ECR-23-165705	18AUG2023	WH	LC



- 1 HOUSING MATERIAL: THERMOPLASTIC NYLON 66, UL94V-0
COLOR: NATURAL.
- 2 CONTACT MATERIAL: BRASS
- 3 CONTACT PLATING: 80u" MIN. TIN PLATED ON CONTACT AREA.

2	11.88	1744337-1
POST NO OMITTED	DIM A ±0.30	PART NUMBER

THIS DRAWING IS A CONTROLLED DOCUMENT.		DWN K. WHITAKER 03JUN2008	TE TE Connectivity	
DIMENSIONS: mm		CHK S. RIDGILL 03JUN2008		
TOLERANCES UNLESS OTHERWISE SPECIFIED:		APVD S. RIDGILL 03JUN2008	NAME	
0 PLC ± -		PRODUCT SPEC	108-5609	
1 PLC ± -		APPLICATION SPEC	114-5253	
2 PLC ± 0.13		WEIGHT	-	
3 PLC ± -		SIZE	A2	
4 PLC ± -		CAGE CODE	00779	
ANGLES ± -		DRAWING NO	C=1744337	
FINISH		RESTRICTED TO	-	
SEE NOTES		CUSTOMER DRAWING	SCALE	N/A
		SHEET	1 of 1	
		REV	D	

METRIC