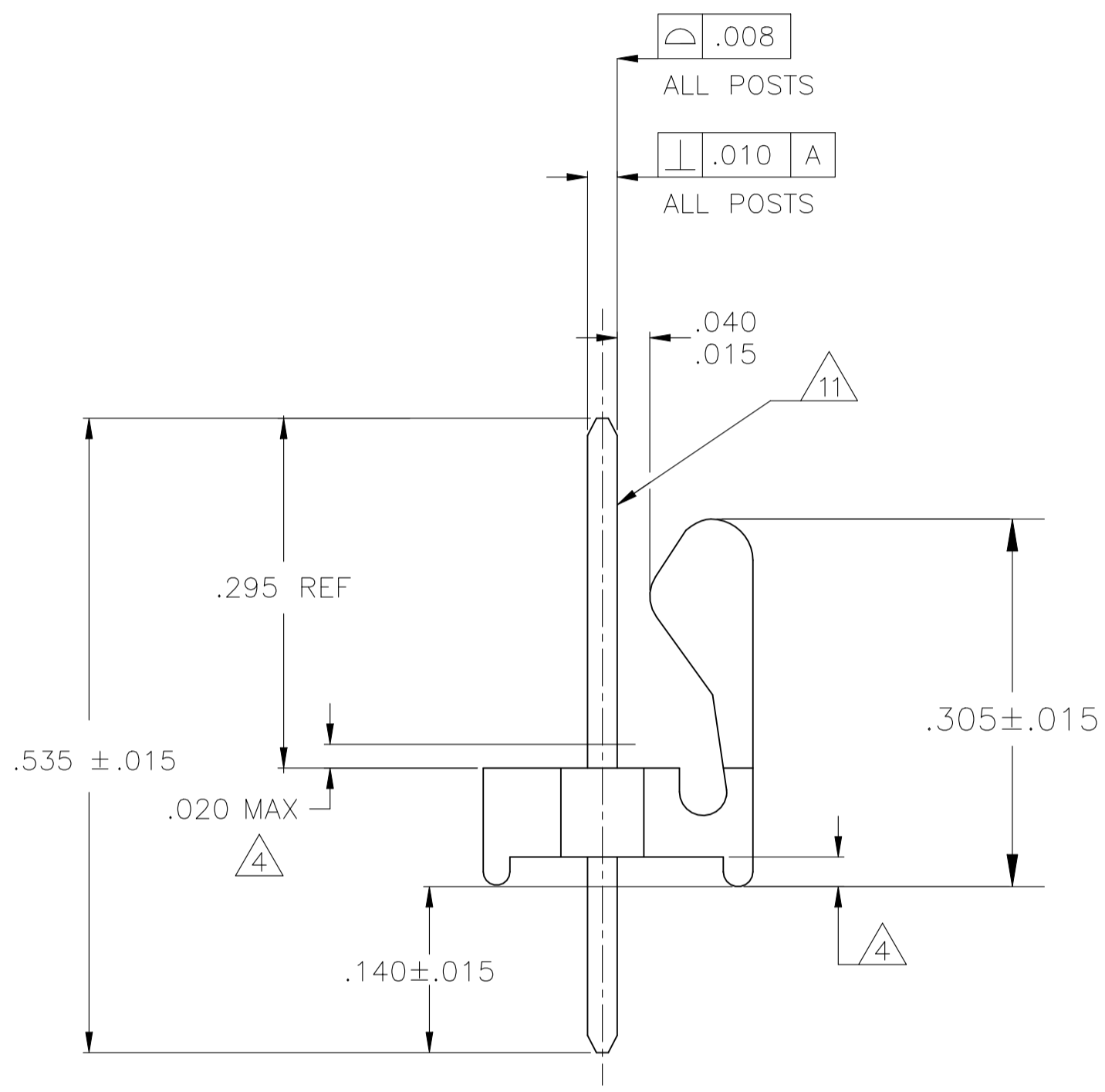
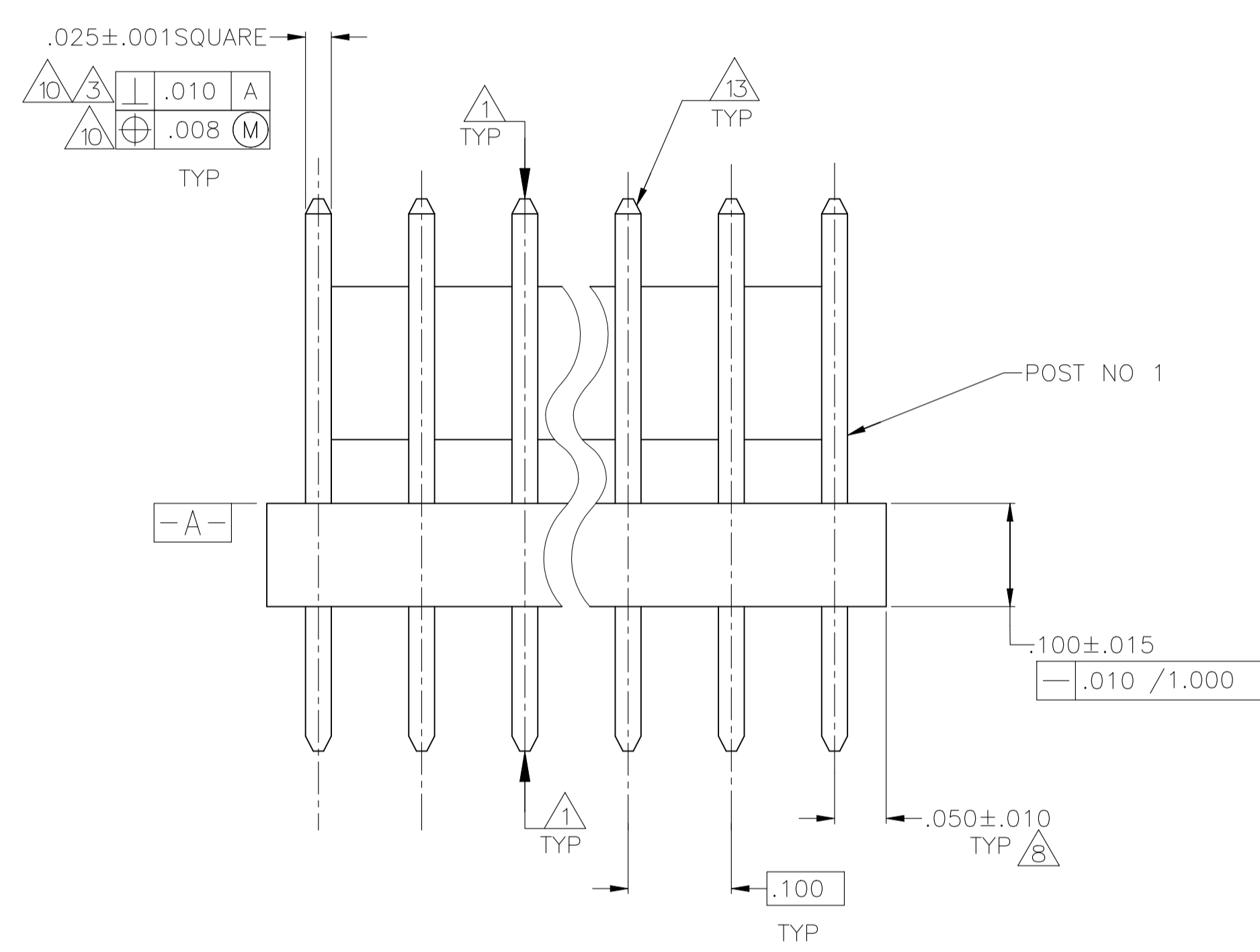
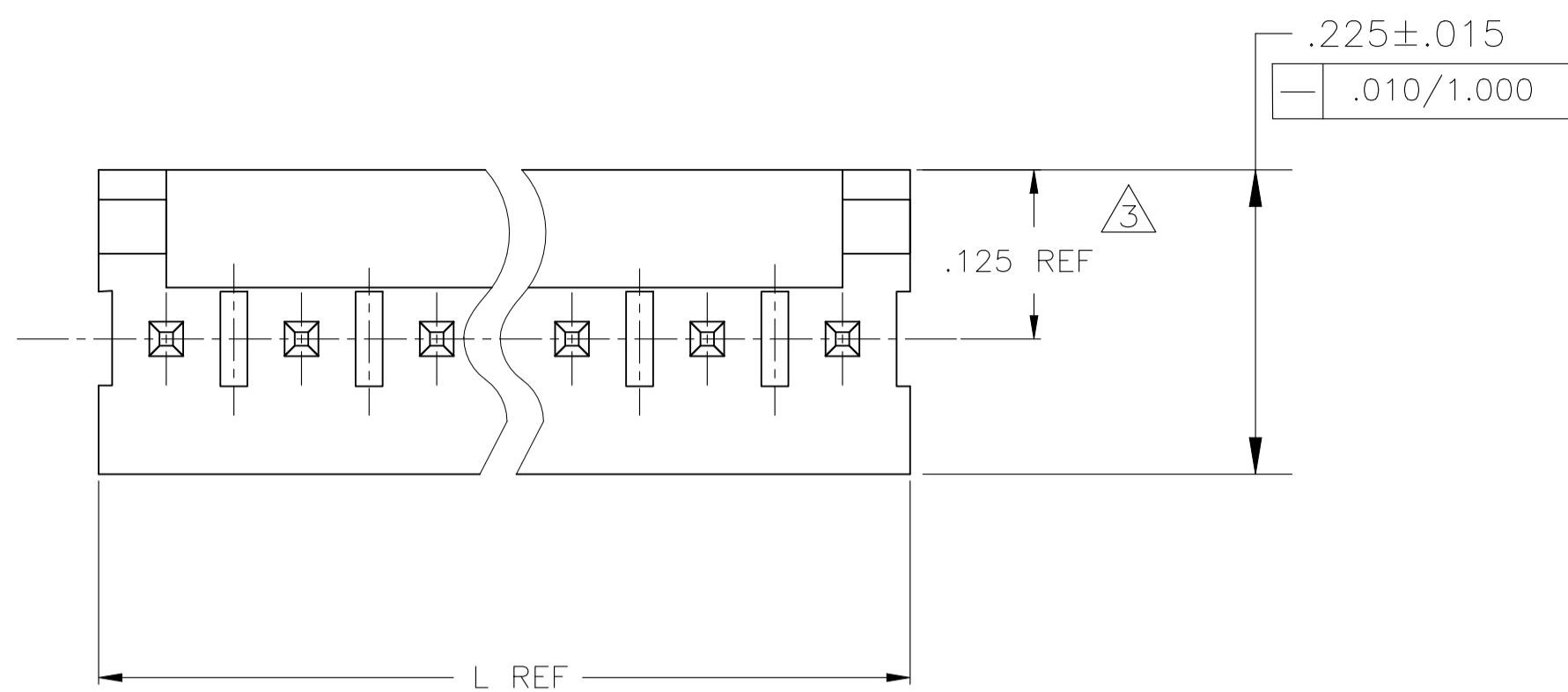
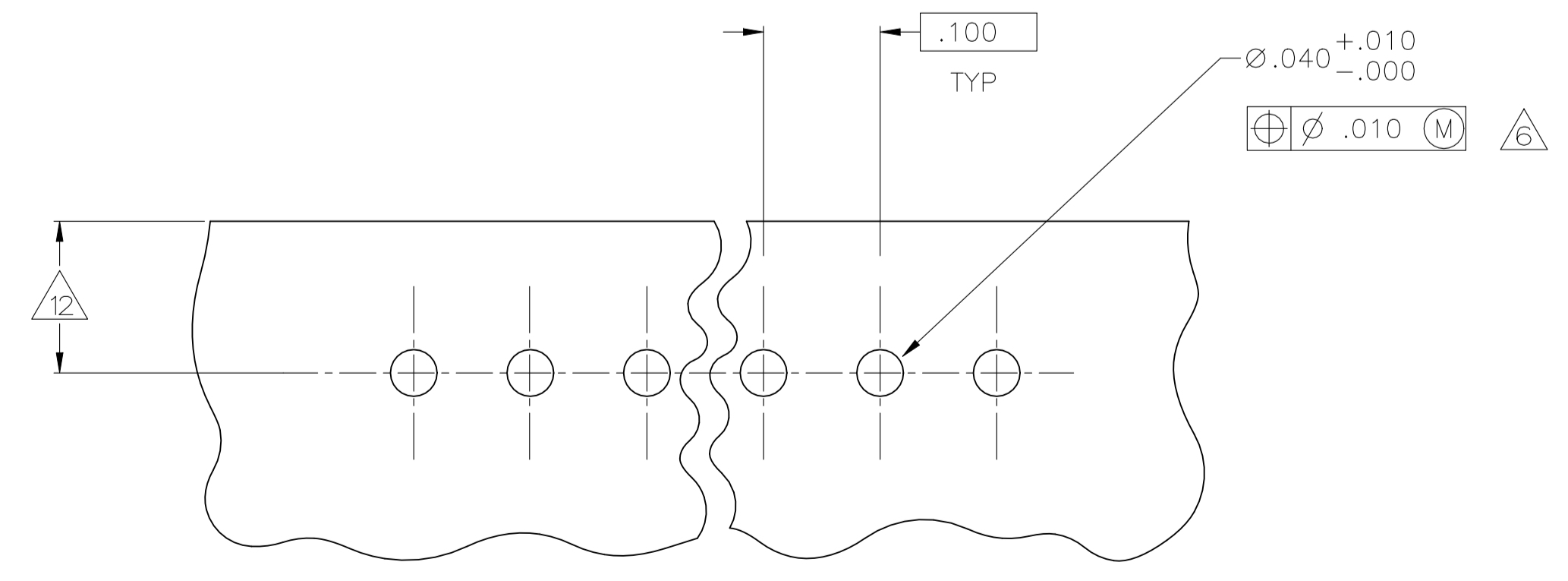


REVISIONS				
P	LTR	DESCRIPTION	DATE	APPV
A3		REVISED PER ECR-23-181719	06AUG2024	MV JP



- 1 POST TO WITHSTAND 13 NEWTONS (3 LBS) MIN. AXIAL FORCE IN BOTH DIRECTIONS SHOWN WITHOUT DISLODGING.
- 2 TOLERANCES APPLY TO SOLDER SIDE OF BOARD.
- 3 MEASURED AT SURFACE  $\overline{A-A}$
- 4 PLASTIC FLASH PERMITTED IN THIS AREA.
- 5 PARTS COMPLY WITH AMP SOLDERABILITY SPEC. NO. 109-11-2.
- 6 ONE HOLE MAY BE UNDERSIZED (.032-.035 DIA) FOR ASSEMBLY RETENTION DURING WAVE SOLDERING.
- 7 MATERIAL: HEADER-THERMOPLASTIC POLYESTER  
UL94V-0(NATURAL)  
POST-COPPER ALLOY (MATTE TIN-PLATED-WHISKER MITIGATED)
- 8 COORDINATE DIMENSION APPLIES FROM CENTER OF ACTUAL FEATURE.
- 9 PLASTIC BURRS CAUSED BY CUT-OFF TOOLING ARE PERMITTED WITHIN THE MAXIMUM TOLERANCE ENVELOPE.
- 10 POSTS TO BE MEASURED WHEN STRIP IS HELD FLAT. POSTS MUST WITHSTAND TWO 90° BENDS AGAINST EXTRUSION WITHOUT BREAKING.
- 11 DIMENSION SHOULD BE .130 MIN WHEN MATING WITH A MTA 100 CONNECTOR ASSEMBLY OR A CST 100 CONNECTOR.
- 12 PIN BURR OF .005 MAX. VERTICAL AND .003 MAX. HORIZONTAL PERMITTED AT POST TIPS ON BOTH ENDS.



RECOMMENDED MOUNTING HOLE PATTERN FOR .063 THICK P.C. BOARD

	1.000	25.40
.035	0.89	22.86
.032	0.81	20.57
.025	0.64	16.27
.020	0.51	12.95
.015	0.38	9.65
.010	0.25	6.35
.008	0.20	5.08
.005	0.13	3.30
.003	0.08	2.03
.001	0.03	0.76
.000	0.00	0.00
IN	MM	IN

OBsolete	IN	MM	NO OF POSITIONS	PART NUMBER
OBsolete	1.800	45.72	18	1-1744214-8
	1.600	40.64	16	1-1744214-6
	1.400	35.56	14	1-1744214-4
OBsolete	1.200	30.48	12	1-1744214-2
OBsolete	.800	20.32	8	1-1744214-8
	.600	15.24	6	1744214-6
	.300	7.62	3	1744214-3
	.200	5.08	2	1744214-2
	IN	MM	NO OF POSITIONS	PART NUMBER

THIS DRAWING IS A CONTROLLED DOCUMENT.

DIMENSIONS: INCHES	TOLERANCES UNLESS OTHERWISE SPECIFIED:	DIN K. WHITAKER 15FEB2006	NAME
0. PLC ± -	1. PLC ± -	CHK D. BOSSI 15FEB2006	MTA-100 HDR ASSY, FRICTION LOCK, NOTCHED, .025 SQUARE STRAIGHT POST, TIN PLATED
2. PLC ± -	3. PLC ± -.005	APPV D. BOSSI 15FEB2006	APPLICATION SPEC
4. PLC ± -	ANGLES ± 0°30'	SIZE	RESTRICTED TO
MATERIAL	FINISH	WEIGHT	SCALE 8:1 SHEET 1 of 1 REV A3

CUSTOMER DRAWING