

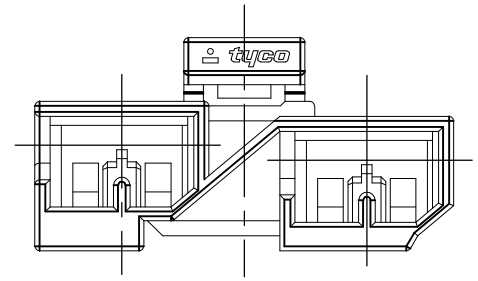
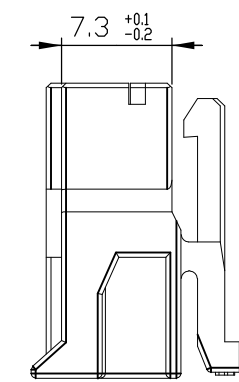
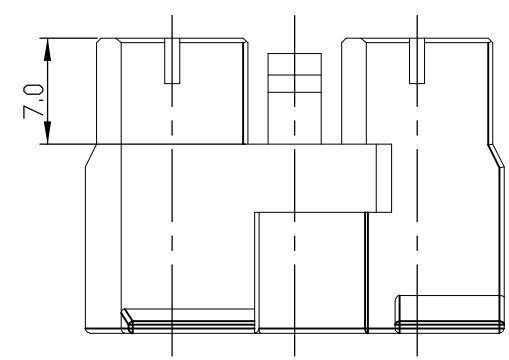
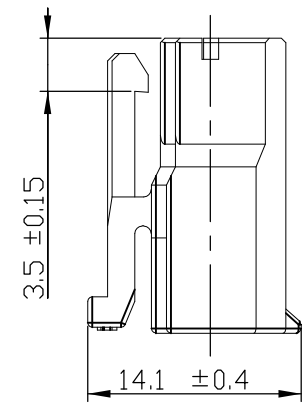
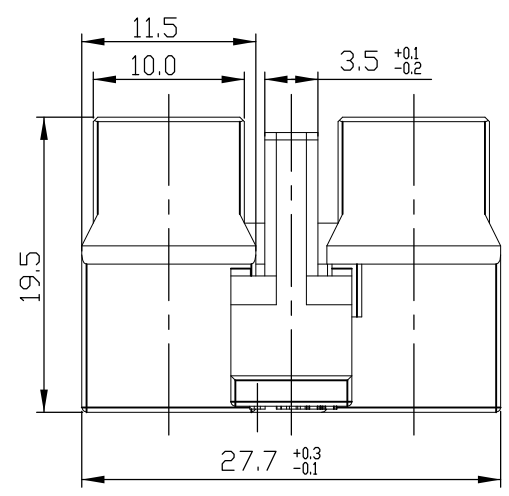
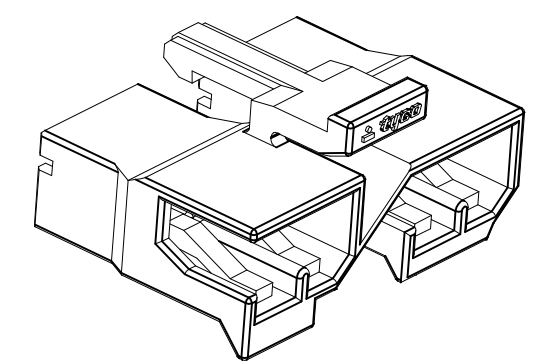
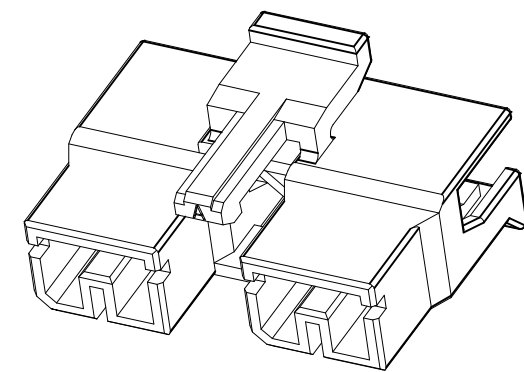
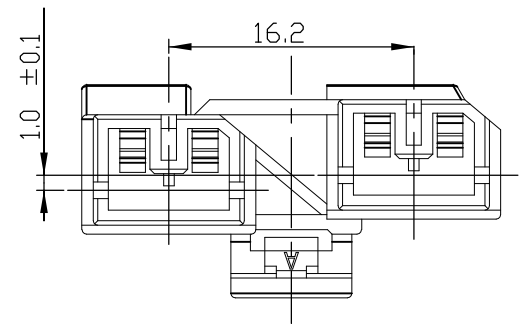
THIS DRAWING IS UNPUBLISHED.

RELEASED FOR PUBLICATION

REVISIONS

© COPYRIGHT - By - ALL RIGHTS RESERVED.

P	LTR	DESCRIPTION	DATE	DWN	APVD
B2		REVISED PER ECR-17-003108	06MAR2017	SE	BH



NOTES.

- 1.GENERAL TOLERANCE : ±0.2, ±2°.
- △MATERIAL : NYLON 6/6, UL94 -V0.
- 3.APPLICABLE CONTACT P/N : 1743221-1.
(CABLE SIZE : AWG #16, #18)
- △MATERIAL: PC-PET, UL94 V-0
PARTS COMPLY WITH GWT 750

OBSOLETE	P/N	DESCRIPTION	MATERIAL	COLOR
	1-1743643-1	PCFL PLUG HSG (GWT)	△	NATURAL
	1743643-9	PCFL PLUG HSG	△	BLACK
	1743643-6	PCFL PLUG HSG	△	BLUE
	1743643-1	PCFL PLUG HSG	△	NATURAL
	P/N	DESCRIPTION	MATERIAL	COLOR

THIS DRAWING IS A CONTROLLED DOCUMENT.		DWN SC KIM	TE Connectivity																
DIMENSIONS: mm		CHK BW KANG																	
TOLERANCES UNLESS OTHERWISE SPECIFIED:		APVD JK SONG	NAME 250 2P PLUG HSG FOR LOW-HEIGHT PCFL																
<table border="1"> <tr><td>0 PLC</td><td>± -</td></tr> <tr><td>1 PLC</td><td>± -</td></tr> <tr><td>2 PLC</td><td>± -</td></tr> <tr><td>3 PLC</td><td>± -</td></tr> <tr><td>4 PLC</td><td>± -</td></tr> <tr><td>ANGLES</td><td>± -</td></tr> <tr><td>FINISH</td><td>-</td></tr> </table>		0 PLC	± -	1 PLC	± -	2 PLC	± -	3 PLC	± -	4 PLC	± -	ANGLES	± -	FINISH	-	PRODUCT SPEC 108-61077	SIZE A3		
0 PLC	± -																		
1 PLC	± -																		
2 PLC	± -																		
3 PLC	± -																		
4 PLC	± -																		
ANGLES	± -																		
FINISH	-																		
MATERIAL SEE NOTES		APPLICATION SPEC -	CAGE CODE 00779	DRAWING NO C- 1743643	RESTRICTED TO -														
CUSTOMER DRAWING			SCALE 2:1	SHEET 1 OF 1	REV B2														