

4

3

2

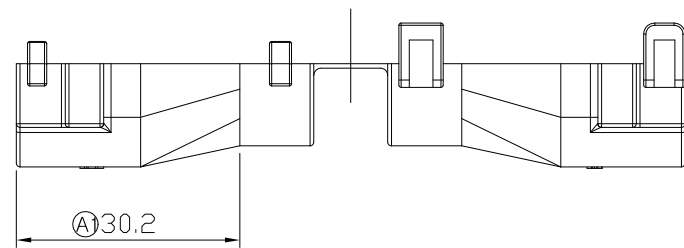
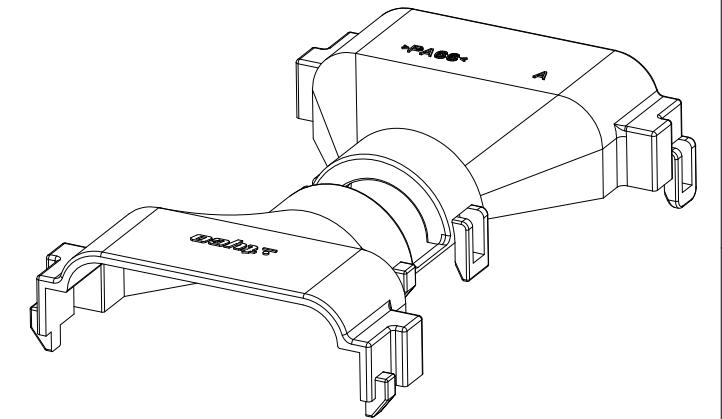
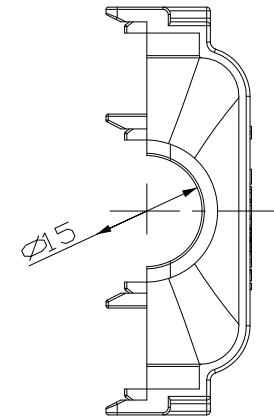
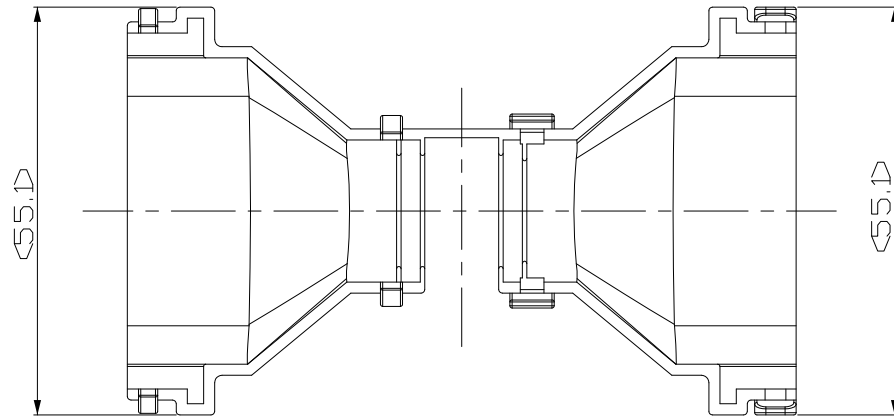
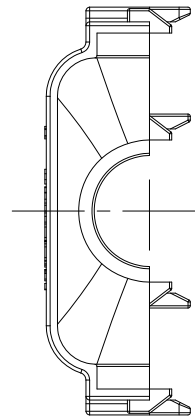
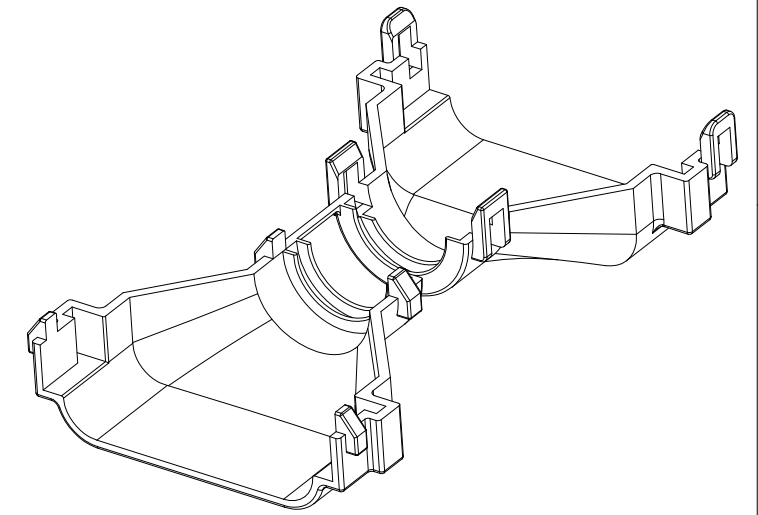
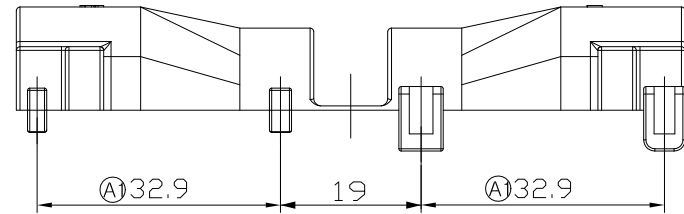
1

THIS DRAWING IS UNPUBLISHED.

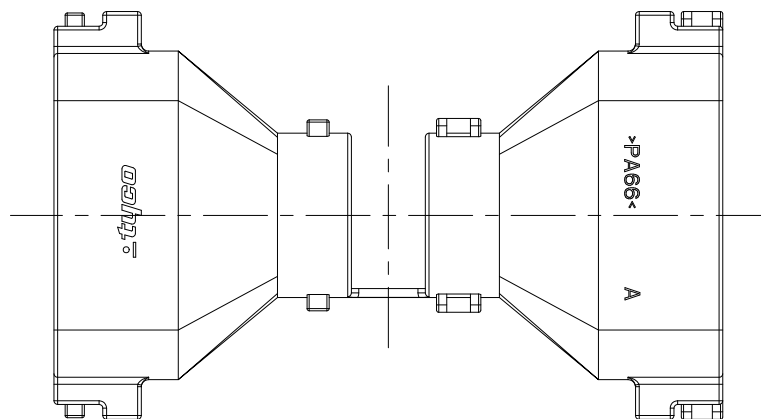
RELEASED FOR PUBLICATION

© COPYRIGHT BY TYCO ELECTRONICS CORPORATION, ALL RIGHTS RESERVED.

LOC	DIST	REVISIONS					
		P	LTR	DESCRIPTION	DATE	DWN	APVD
DS			A	RELEASED	07.FEB.'06	CH	JK
			A1	REVISED(ECR-07-005126)	06.MAR.'07	JY	JK



- NOTE
1. GENERAL TOLERANCE:  $\pm 0.3$
  2. APPLICABLE CONNECTOR: X-1743632-X
  3. APPLICABLE CORRUGATE TUBE:  $\phi 14\text{mm}$
  4. APPLICATION TEST SPEC: MS210-06C (EXCEPT 4.4)



1743637-2	BLACK	PA66	A1
P/N	COLOR	MATERIAL	REV

THIS DRAWING IS A CONTROLLED DOCUMENT FOR TYCO ELECTRONICS CORPORATION. IT IS SUBJECT TO CHANGE AND THE CONTROLLING ENGINEERING ORGANIZATION SHOULD BE CONTACTED FOR THE LATEST REVISION.		DWN JY BAE			AMP KOREA kyungsan, korea	
DIMENSIONS: MM		CHK YM CHOI			NAME PLUG WIRE COVER FOR MTII/JPT/MCP SEALED 36P PLUG ASS'Y	
TOLERANCES UNLESS OTHERWISE SPECIFIED:		APVD JK SONG	PRODUCT SPEC		RESTRICTED TO	
3rd ANGLE PROJECTION		APPLICATION SPEC		SIZE	CAGE CODE	DRAWING NO
MATERIAL SEE TABLE		WEIGHT		A3	00779	C- 1743637
		CUSTOMER DRAWING		SCALE	SHEET	REV
				1:1	1 OF 1	A1