

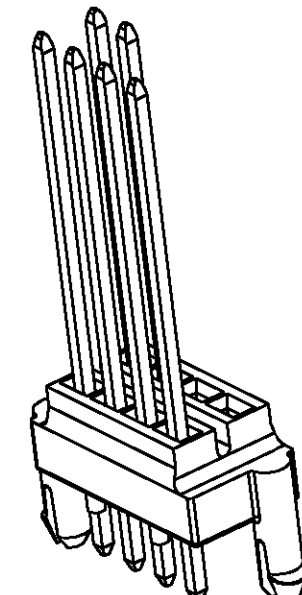
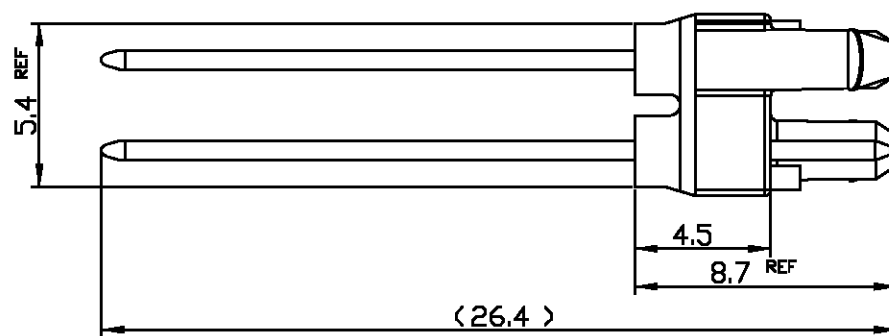
THIS DRAWING IS UNPUBLISHED. RELEASED FOR PUBLICATION

© COPYRIGHT BY TYCO ELECTRONICS CORPORATION. ALL RIGHTS RESERVED.

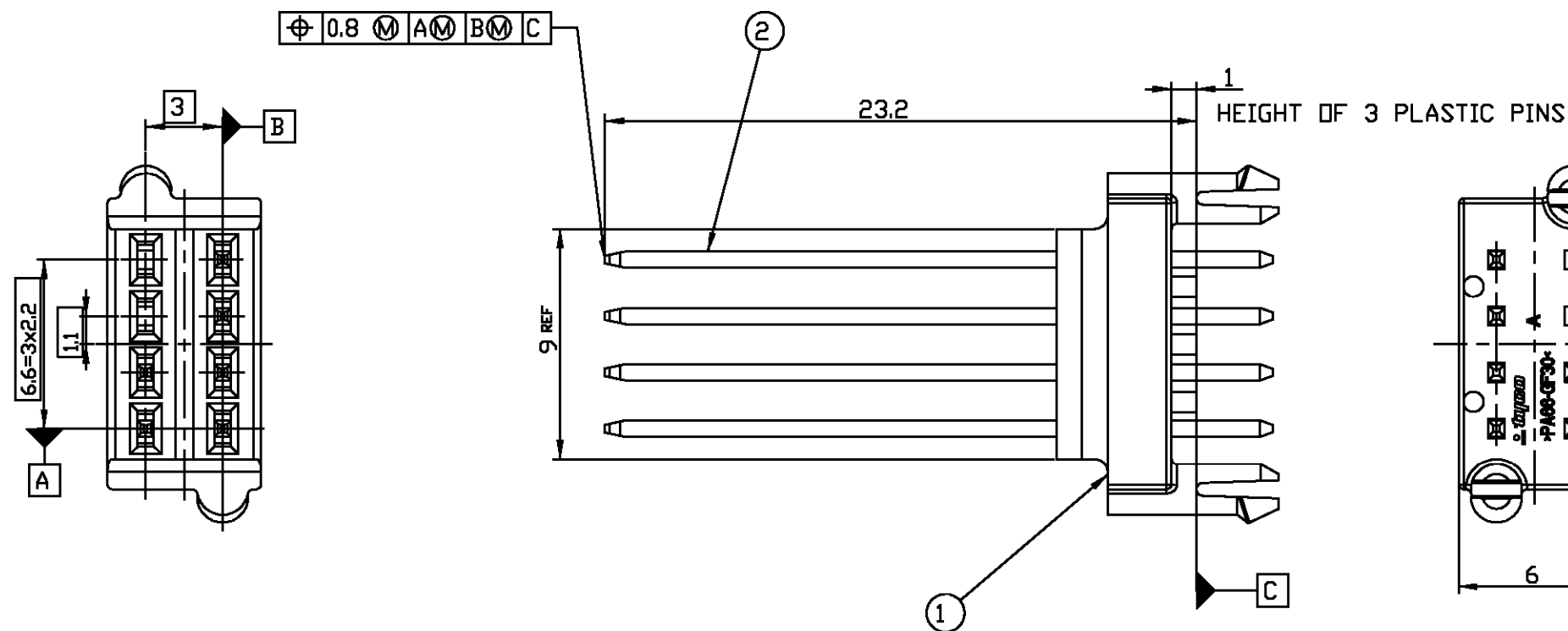
LOC DS DIST

REVISIONS

P	LTR	DESCRIPTION	DATE	DWN	APVD
	A	RELEASED	14/SEP'06	IS	JK



SCALE 3:1



1. GENERAL TOLERANCE: ±0.3, ±3°

NO	COLOR/FINISH	MATERIAL	DESCRIPTION	Q'TY	ASSY P/N
2	TINNED	CuSn6	.025 PIN	6	0-1743602-2
1	BLACK	PA66-GF30	CAP HOUSING	1	

<small>THIS DRAWING IS A CONTROLLED DOCUMENT FOR TYCO ELECTRONICS CORPORATION. IT IS SUBJECT TO CHANGE AND THE CONTROLLING ENGINEERING ORGANIZATION SHOULD BE CONTACTED FOR THE LATEST REVISION.</small>		DWN IS SHIN CHK YM CHOI APVD JK SONG PRODUCT SPEC		<b>tyco</b> Tyco Electronics <b>Electronics</b> Kyungsan Korea	
DIMENSIONS: MM 3rd ANGLE PROJECTION		TOLERANCES UNLESS OTHERWISE SPECIFIED: 0 PLC ± 1 PLC ± 2 PLC ± 3 PLC ± 4 PLC ± ANGLES ±		NAME .025 SERIES 8P CAP ASS'Y 2ROW FOR EDGE CONNECTOR	
MATERIAL SEE TABLE		FINISH SEE TABLE		WEIGHT SIZE A3 CAGE CODE 00779 DRAWING NO ©=1743603 RESTRICTED TO	
CUSTOMER DRAWING				SCALE 4:1	SHEET 1 OF 1 REV A