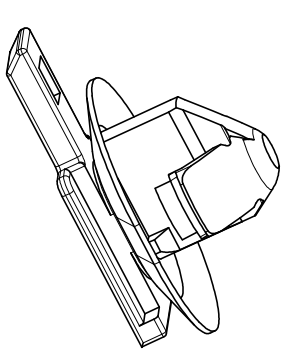
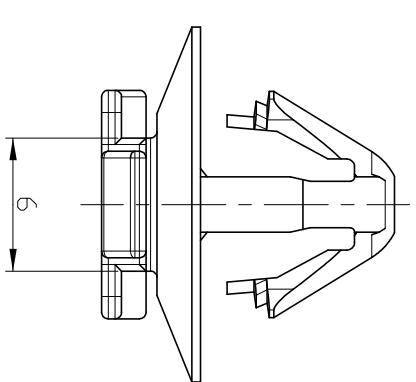
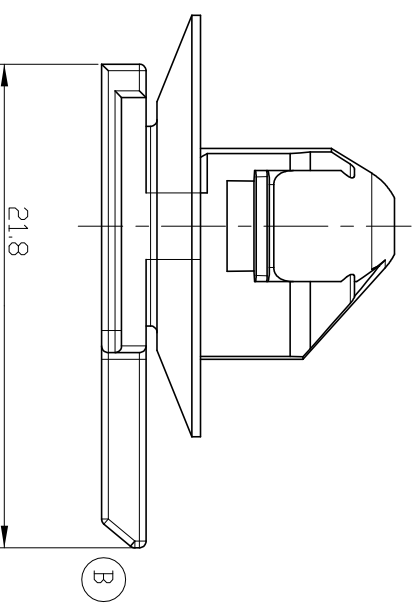
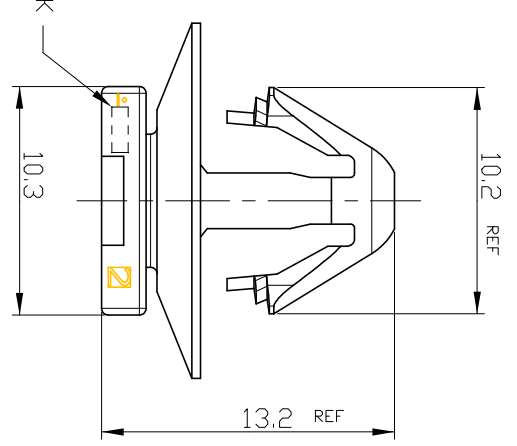
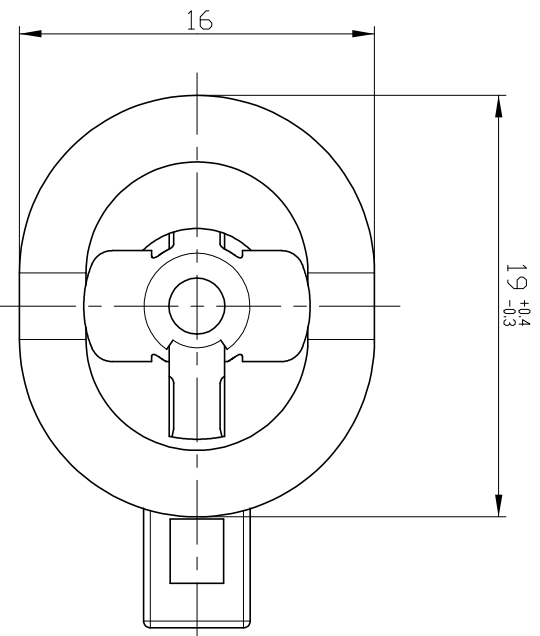
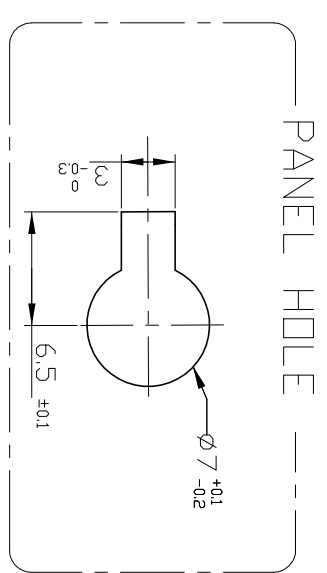


REVISIONS		DATE	DWN	APVD
P	LTR	DESCRIPTION		
B		REVISED (ECR-06-017214)	01/SEP/06	IS JK
C		REVISED (ECR-10-025377)	13/DEC/10	SJ HG
C1		REVISED (ECR-19-017780)	15/NOV/19	JH YJ



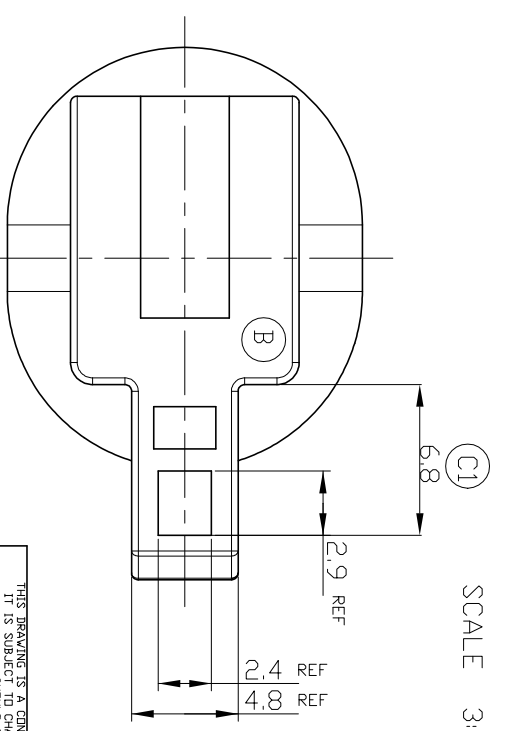
SCALE 2:1



PANEL THICKNESS: 3.0~3.5mm

SCALE 3:1

1. GENERAL TOLERANCE: ±0.3, ±3°
2. NO WEATHERABILITY TEST IS REQUIRED.



1743546-2	CLIP HSG	NYLON66	BLACK
P/N	DESCRIPTION	MATERIAL	COLOR

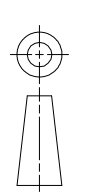


TE Connectivity

NAME: CLIP HSG FOR PRONER COMATEL 1P CAP
(ø7 KEY HOLE)

DWN	SJ CHDI	APVD	HG CHDI	PRODUCT SPEC	APPLICATION SPEC	WEIGHT
CHK	JW JUNG					

DIMENSIONS: mm



TOLERANCES UNLESS OTHERWISE SPECIFIED:	±
0 PLC	±
1 PLC	±
2 PLC	±
3 PLC	±
4 PLC ANGLES	±
FINISH	±

THIS DRAWING IS A CONTROLLED DOCUMENT FOR TYCO ELECTRONICS CORPORATION. IT IS SUBJECT TO CHANGE AND THE CONTROLLING ENGINEERING ORGANIZATION SHOULD BE CONSULTED FOR THE LATEST REVISION.

MATERIAL	FINISH
CUSTOMER DRAWING	

CUSTOMER DRAWING

SCALE 3:1

SHEET 1 OF 1

REV C1