

THIS DRAWING IS UNPUBLISHED.

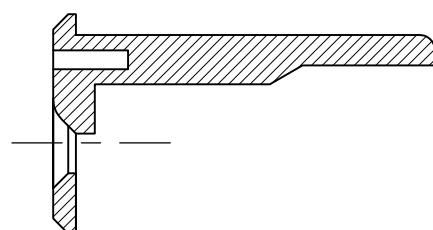
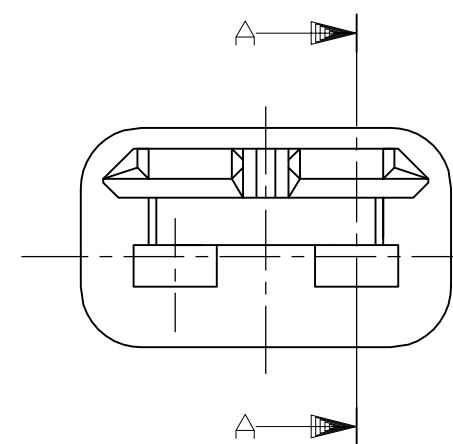
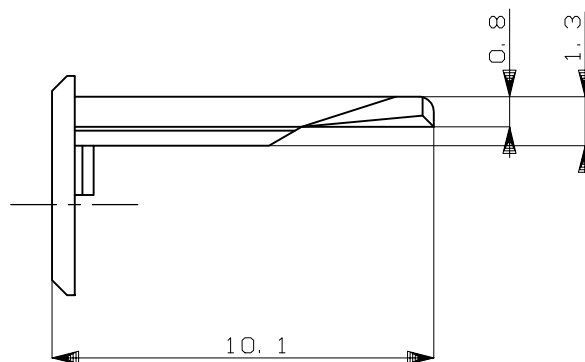
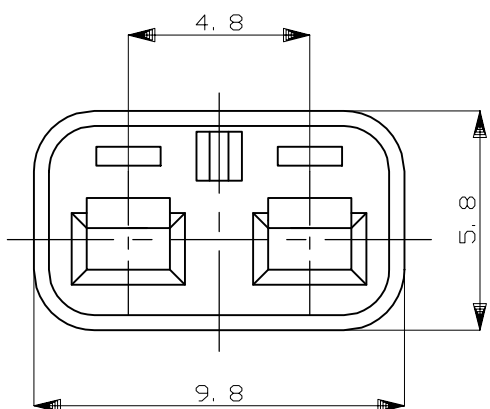
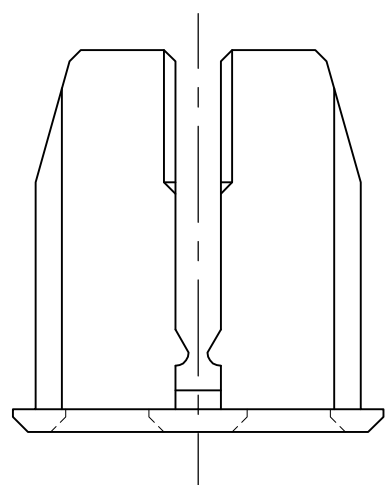
RELEASED FOR PUBLICATION

ALL RIGHTS RESERVED.

© COPYRIGHT - By -

REVISIONS

P	LTR	DESCRIPTION	DATE	DWN	APVD
	C2	REVISED	ECR-18-009736	22JUN2018	TS HY




SECTION 断面 A-A

1. 本品は、プラグハウジング型番174352及び2822348に装着される

1. TO BE MATED WITH PLUG HOUSING PART NUMBER 174352 AND 2822348

HB	自然色 (NATURAL)	1-174353-1
V-2	黄 (YELLOW)	174353-7
使用材料難燃グレード (FLAMMABILITY OF MATERIAL)	色 (COLOR)	型番 (PART NUMBER)

THIS DRAWING IS A CONTROLLED DOCUMENT.		DWN K.ODA 8/13'87	 TE Connectivity Ltd.				
DIMENSIONS: mm		CHK Y.MATSUSAKA 8/24'87					
TOLERANCES UNLESS OTHERWISE SPECIFIED:		APVD M.NOBUCHI 8/19'87	NAME 2P. ECONOSEAL J-MARKII+ CONNECTOR DOUBLE LOCK PLATE FOR PLUG HOUSING				
0 PLC ± - 1 PLC ± - 2 PLC ± - 3 PLC ± - 4 PLC ± - ANGLES ± -		PRODUCT SPEC 108-5262	RESTRICTED TO				
MATERIAL PBT		FINISH -	APPLICATION SPEC -	SIZE A3	CAGE CODE 00779	DRAWING NO C-174353	
GENERAL TOLERANCE 0 < * ≤ 10 : ±0.2 10 < * ≤ 30 : ±0.25 30 < * ≤ 100 : ±0.3 ANGLES : ±3°		WEIGHT 0.12 g	CUSTOMER DRAWING		SCALE 5:1	SHEET 1 OF 1	REV C2