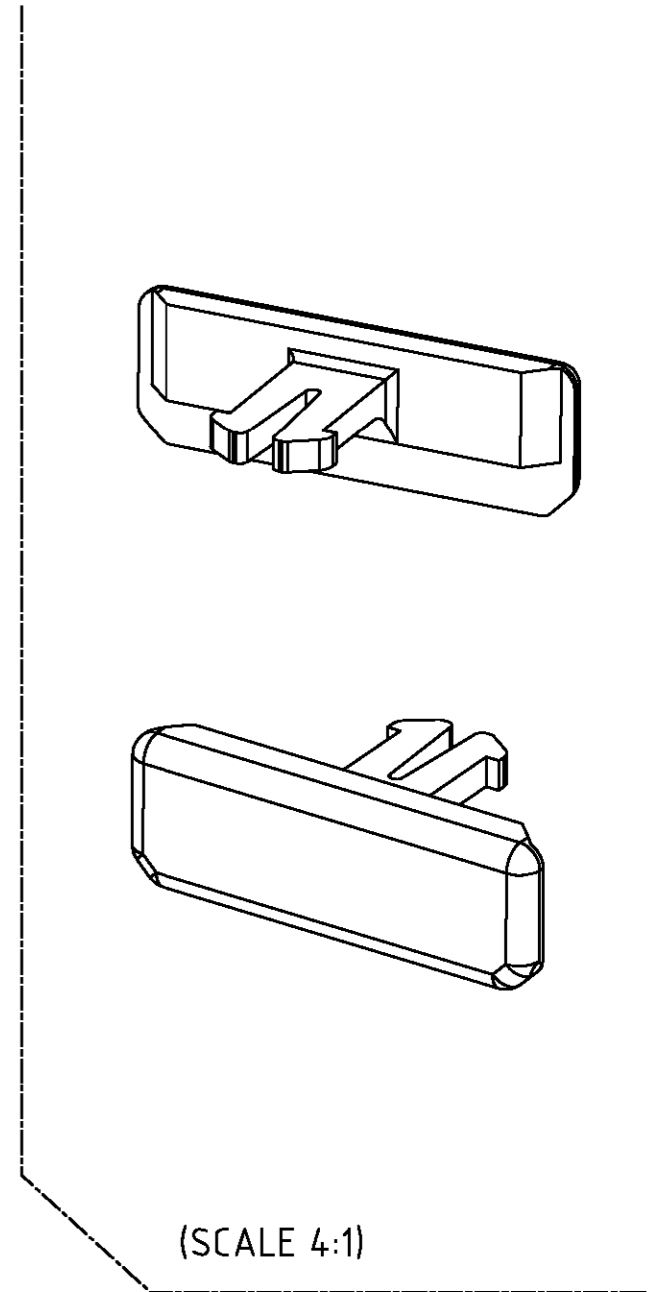
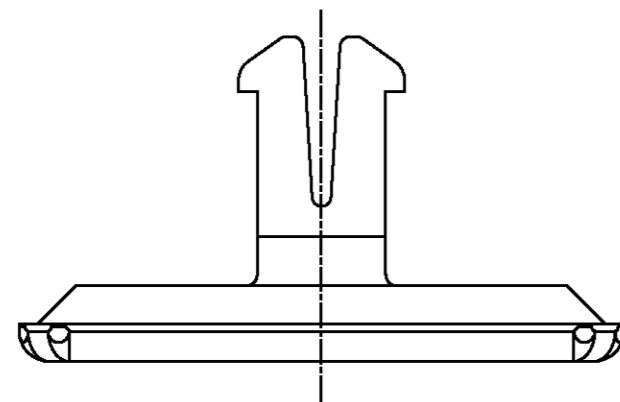
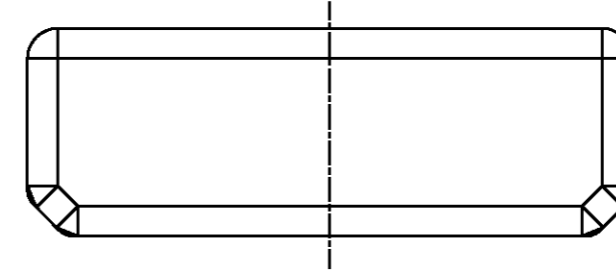
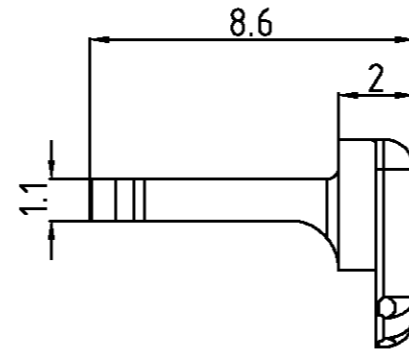
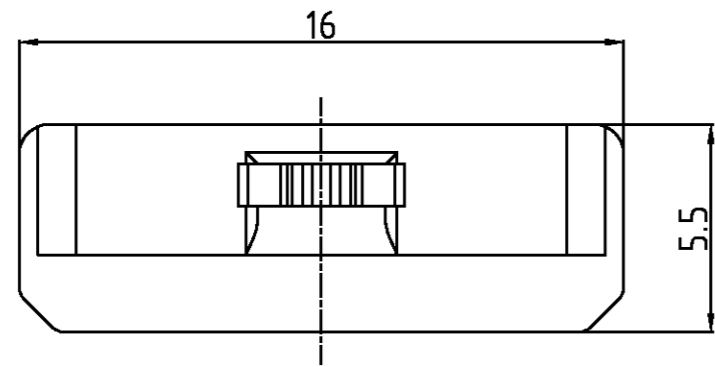
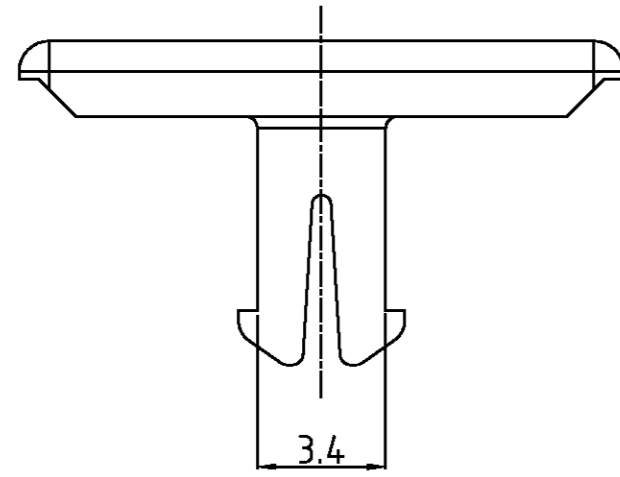


LOC		DIST		REVISIONS			
P	LTR	DESCRIPTION	DATE	DWN	APVD		
	A	RELEASE	27/JUN/05	YD.	CS		



NOTES;

1. GENERAL TOLERANCE IS  $\pm 0.3$
2. APPLIED CONNECTOR : 090III UNSEALED PLUG

0-1743464-2	PROTECTOR HSG	PBT-GF15	BLACK
P/N	DESCRIPTION	MATERIAL	COLOR

<small>THIS DRAWING IS A CONTROLLED DOCUMENT FOR TYCO ELECTRONICS CORPORATION. IT IS SUBJECT TO CHANGE AND THE CONTROLLING ENGINEERING ORGANIZATION SHOULD BE CONTACTED FOR THE LATEST REVISION.</small>		DWN : YDLEE			AMP KOREA. kyungsan, korea
DIMENSIONS: mm		CHK : BM JANG	NAME		
TOLERANCES UNLESS OTHERWISE SPECIFIED:		APVD : CS LEE	PROTECTOR HSG FOR 090III NONSEALED CONNECTOR		
3rd ANGLE PROJECTION		PRODUCT SPEC	SIZE	CAGE CODE	DRAWING NO
MATERIAL SEE TABLE		FINISH	A2	00779	1743464
		WEIGHT	RESTRICTED TO		
			SCALE 5/1	SHEET 1 of 1	REV A