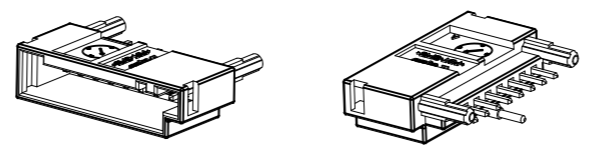
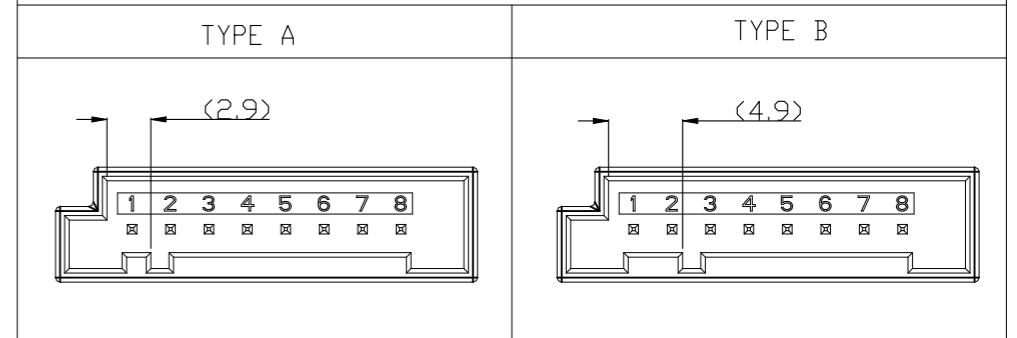


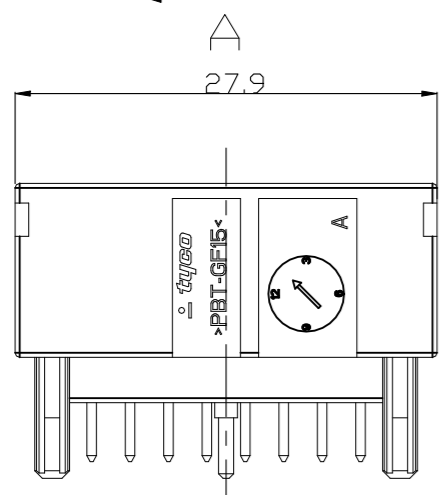
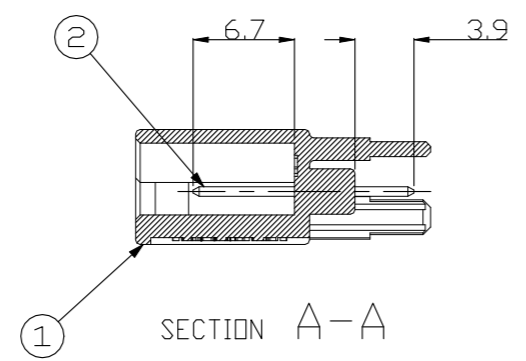
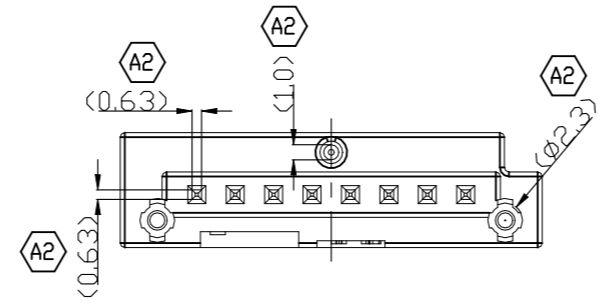
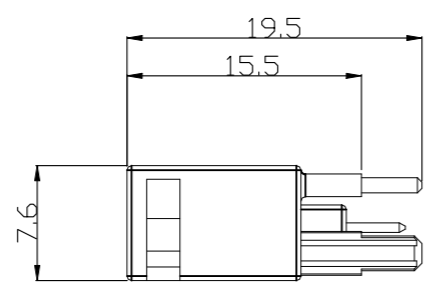
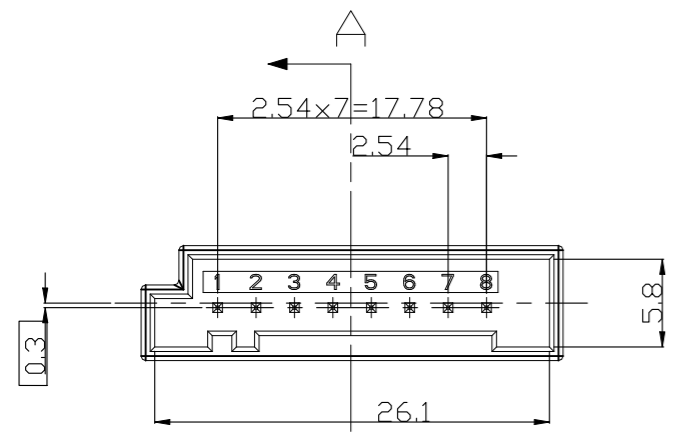
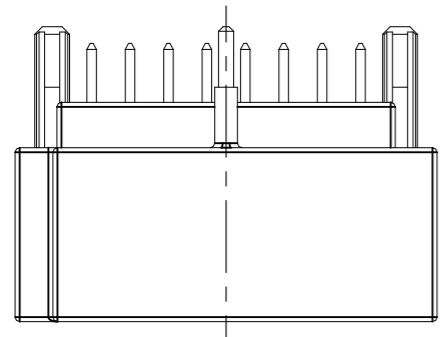
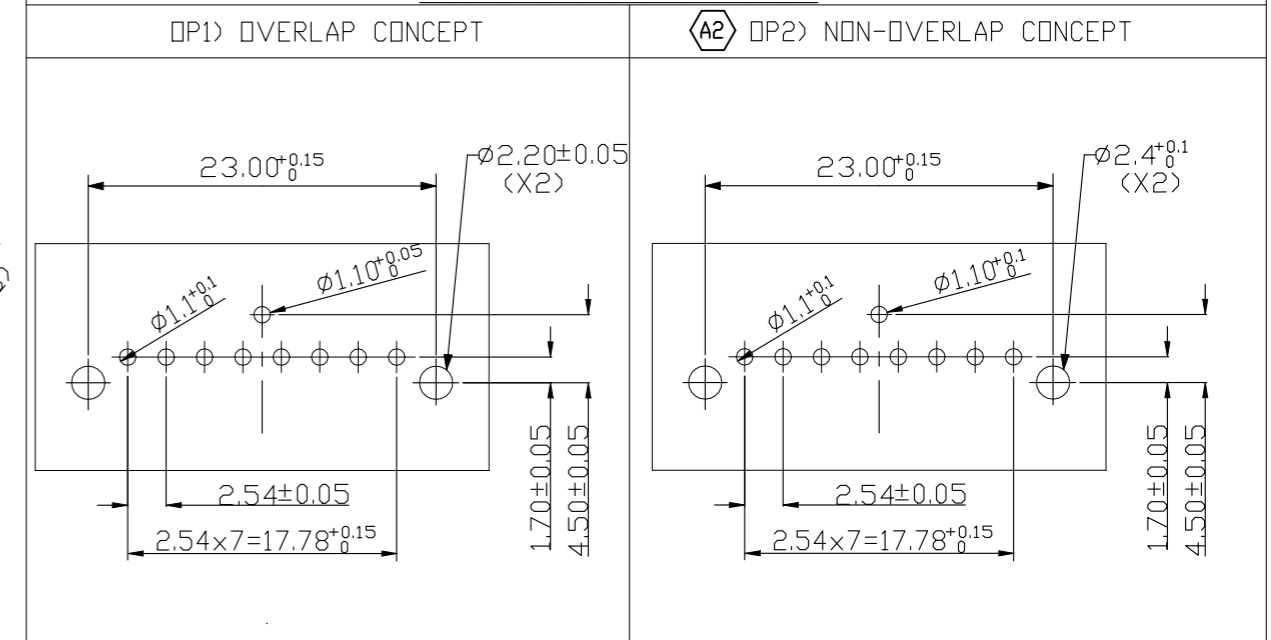
P	LTR	DESCRIPTION	DATE	DWN	APVD
A2		REVISED (ECR-24-217503) ADD PCB LAYOUT OP2	24.MAY.'24	JS	YH

KEY CODINGS



ISOMETRIC VIEW

P.C.B LAY-OUT



- NOTES
- PULL-OUT FORCE OF THE CONTACT : Min 25N WHEN V=25mm/min
 - BE MATED WITH PLUG HSG (P/N : 1743282) SMOOTHLY
 - GENERAL TOLERANCE : ±0.3, ±3°

NO	DESCRIPTION	CODE	P/N	MATERIAL	COLOR/FINISH	ASS'Y P/N	0-1743386-1	1-1743386-2	1-1743386-3	1-1743386-6
②	063 SQUARE CONTACT PIN		0-368314-1	PHOSPHOR BRONZE	TIN	8	8	8	8	8
①	HEADER HSG	B	1-1743387-6	PBT-GF15	RED	-	-	-	1	-
	HEADER HSG	B	1-1743387-3	PBT-GF15	GRAY	-	-	1	-	-
	HEADER HSG	B	1-1743387-2	PBT-GF15	BLACK	-	1	-	-	-
	HEADER HSG	A	0-1743387-1	PBT-GF15	NATURAL	1	-	-	-	-

THIS DRAWING IS A CONTROLLED DOCUMENT.

DIMENSIONS: mm	TOLERANCES UNLESS OTHERWISE SPECIFIED: 0 PLC ± - 1 PLC ± - 2 PLC ± - 3 PLC ± - 4 PLC ± - ANGLES ± -	DWN CH PARK CHK YM CHOI APVD JK SONG PRODUCT SPEC	TE Connectivity MQS PIN HEADER ASS'Y 8P(V-TYPE)			
MATERIAL	FINISH	APPLICATION SPEC	SIZE	CAGE CODE	DRAWING NO	RESTRICTED TO
-	-	-	0	A300779	C-1743386	-
CUSTOMER DRAWING			SCALE	SHEET	REV	
			1:1	1 OF 1	A2	