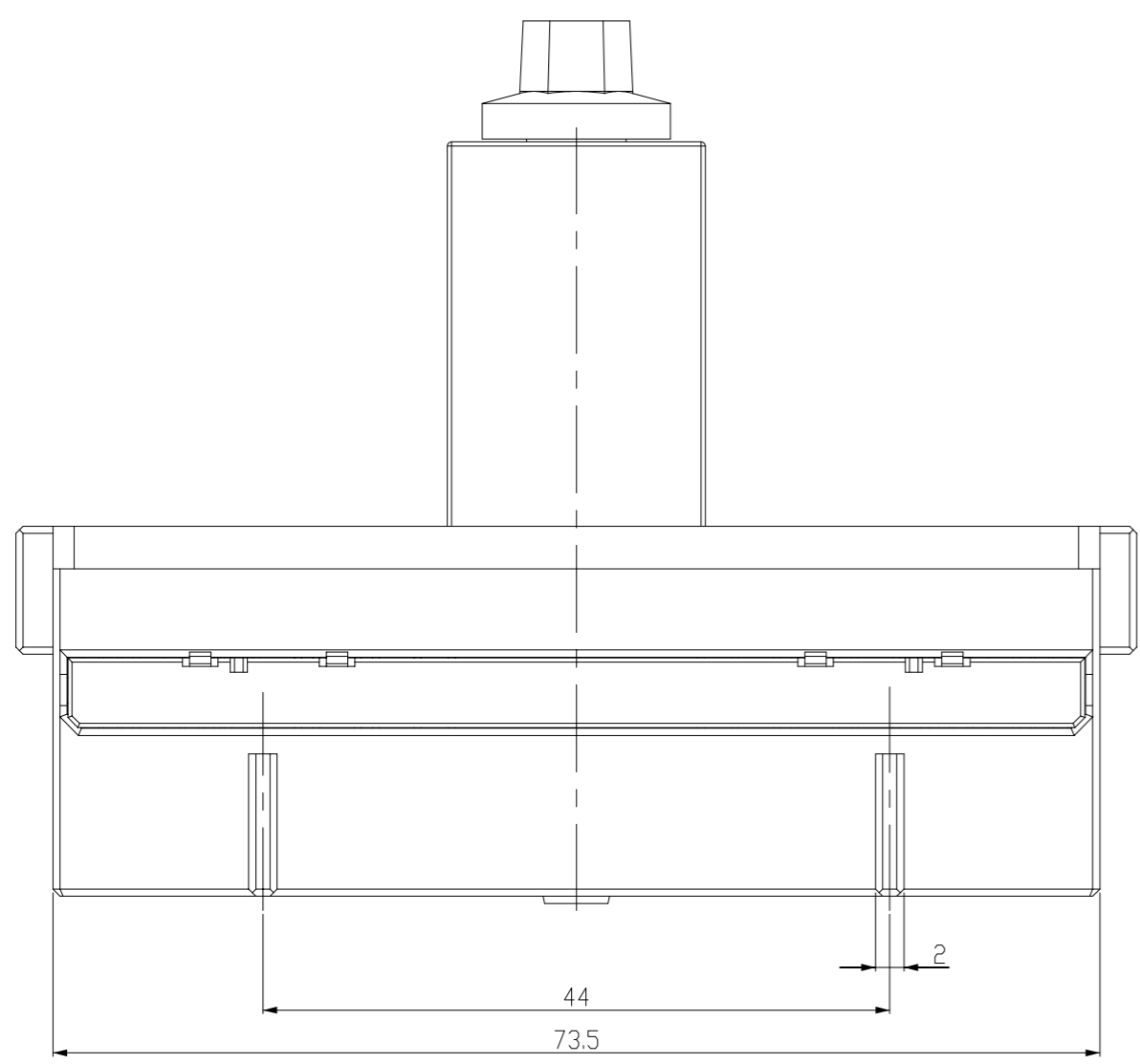


THIS DRAWING IS UNPUBLISHED. RELEASED FOR PUBLICATION
 © COPYRIGHT copyright_daRt ALL RIGHTS RESERVED.

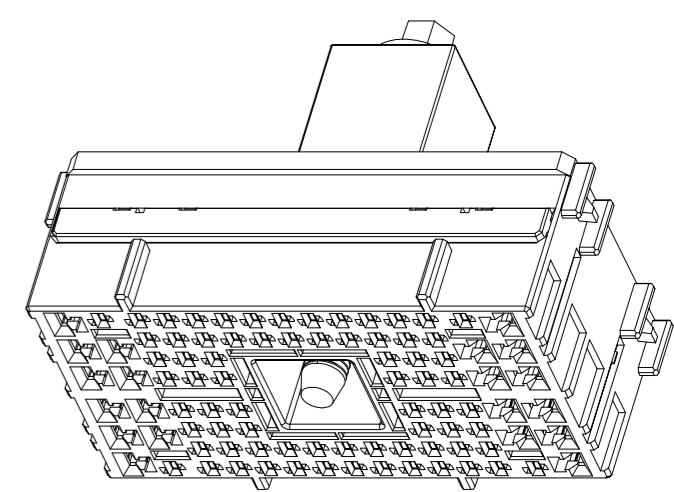
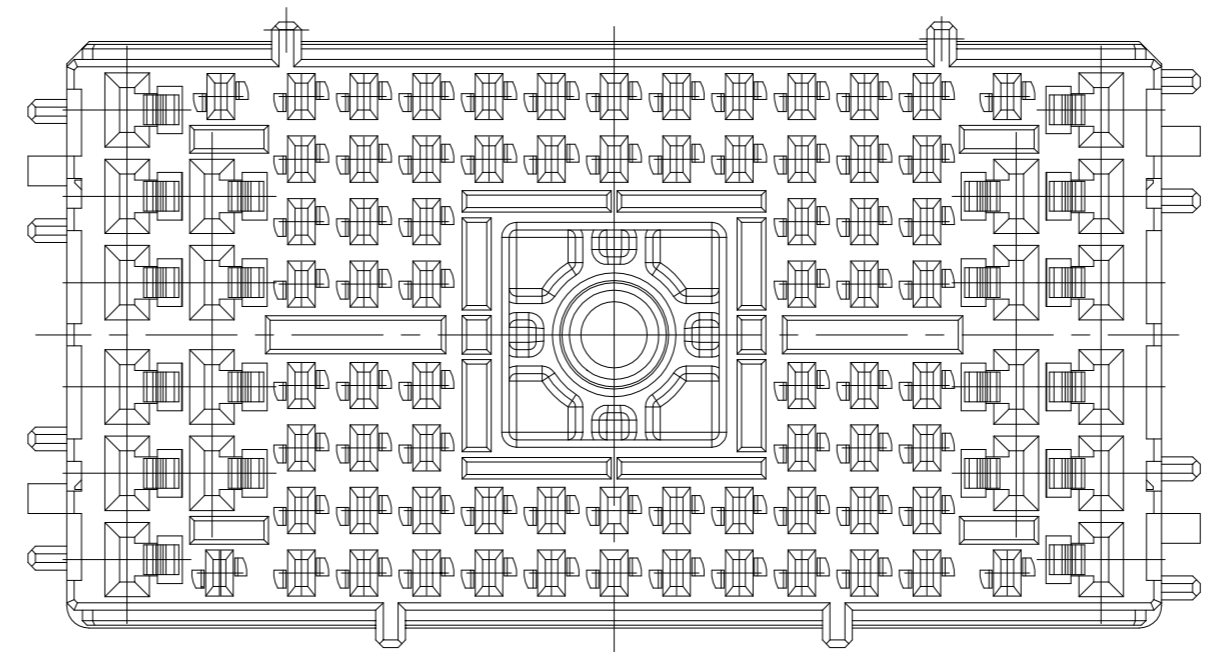
| REVISIONS | | | | | |
|-----------|-----|-------------------------|------------|-----|------|
| P | LTR | DESCRIPTION | DATE | DWN | APVD |
| A | | RELEASED | 08.DEC.'05 | YH | JK |
| B | | REVISED (ECR-06-030138) | 26.DEC.'06 | YH | JK |
| C | | REVISED (ECR-09-025518) | 20.NOV.'09 | YH | HG |
| D | | REVISED (ECR-15-000276) | 24.JUL.'15 | SJ | HG |

D

D



SEE "X"



SCALE 1:1

C

C

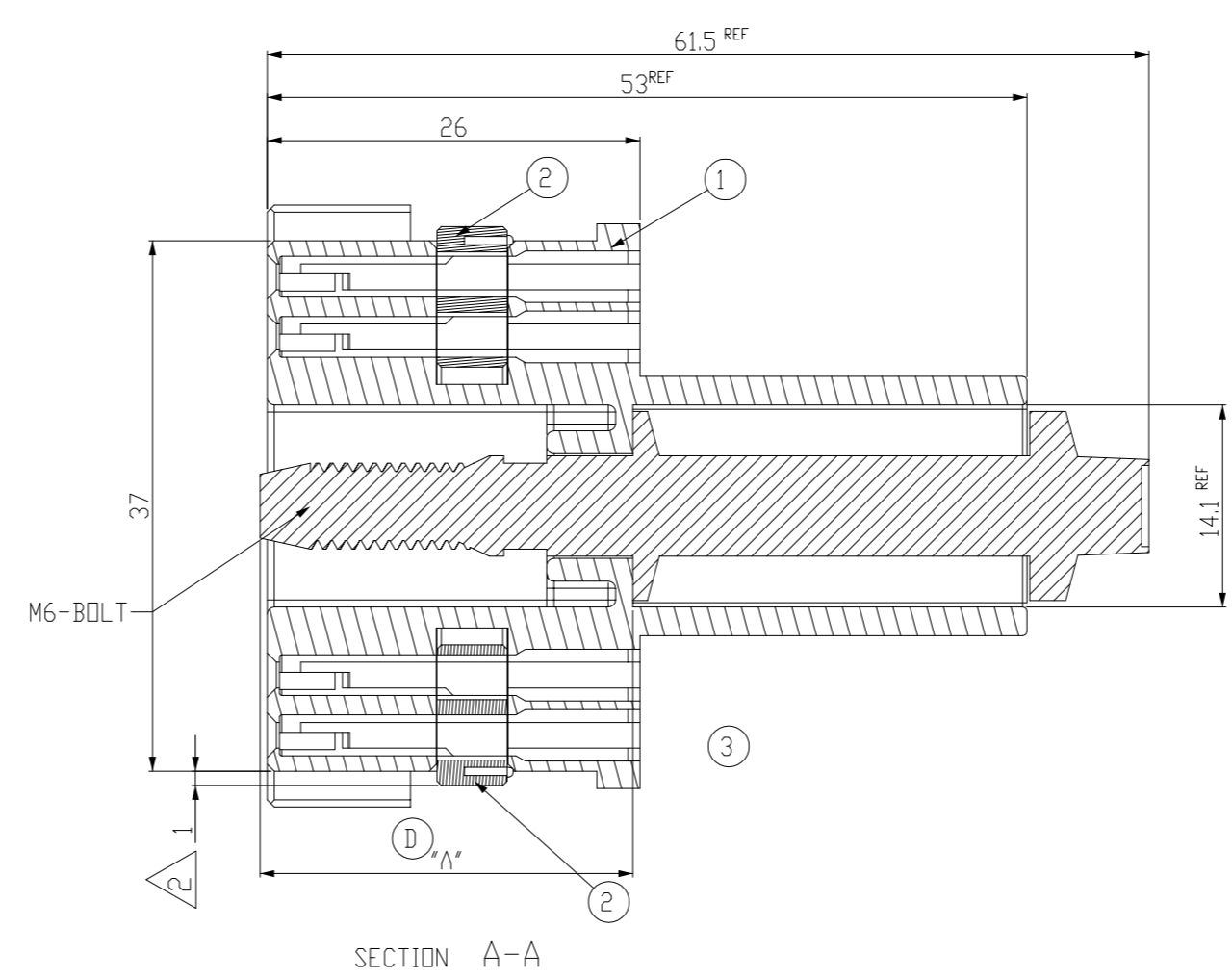
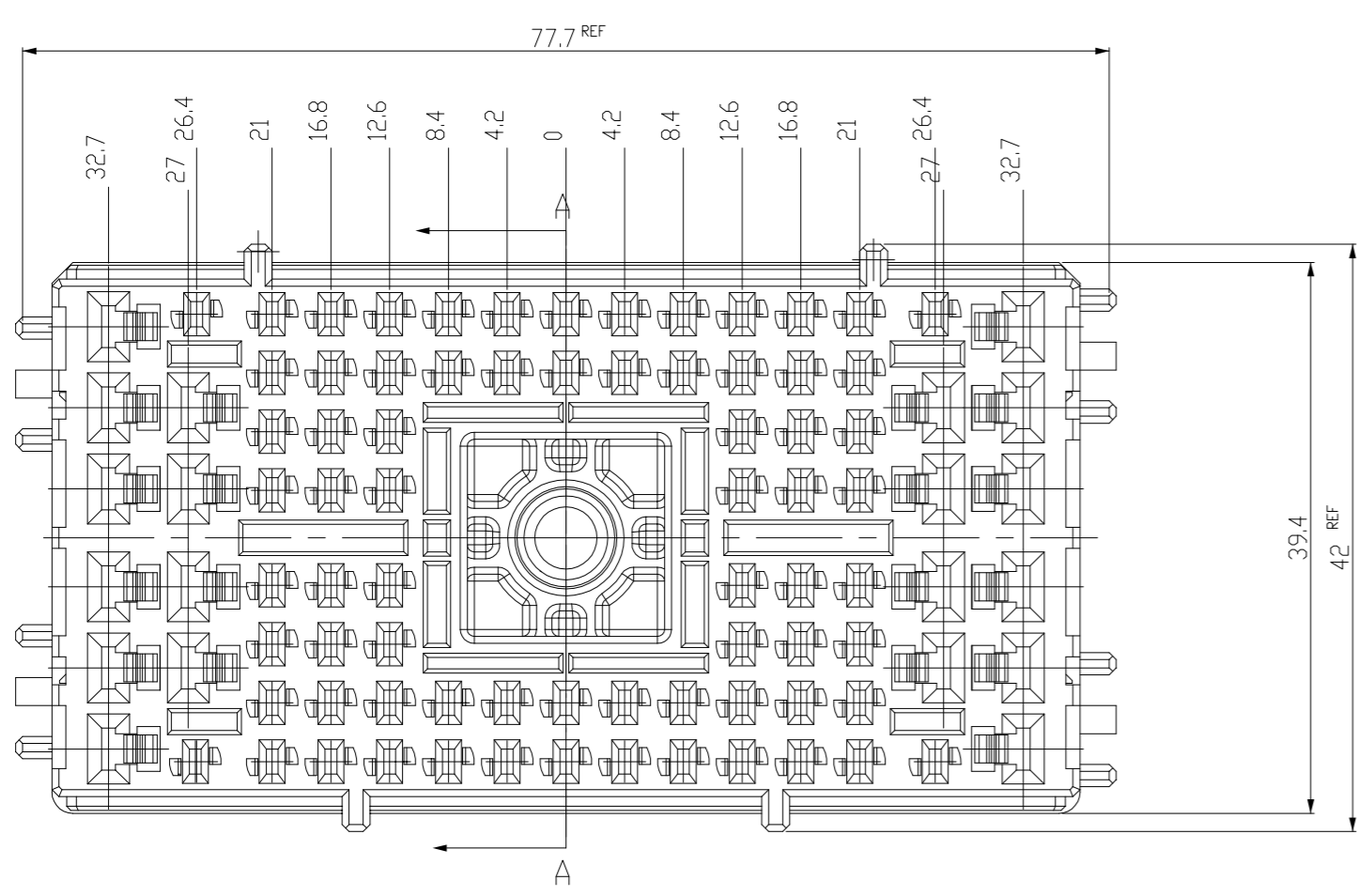
NOTE.
 1. GENERAL TOLERANCE IS ± 0.3 , $\pm 3^\circ$
 2. CONDITION OF DELIVERY : DBL PLATE IN OPEN POSITION
 3. APPLIED RECEPTACLE CONTACT P/N :

| | PART No. | WIRE SIZE (mm ²) |
|-------------|-------------|------------------------------|
| MCP 1.5mm | 0-1241372-1 | 0.2 ~ 0.35 |
| | 0-1241374-1 | 0.5 ~ 1.0 |
| | 0-1534334-1 | 1.5 |
| MCP-E 2.8mm | 0-1743162-1 | 0.3 ~ 0.85 |
| | 0-1743163-1 | 1.25 ~ 2.0 |

4. APPLICABLE COVER PART No.: 1743258
 5. APPLICABLE MATING CAP PART No. : 1743251
 6. TORQUE SPEC : 0.8 ~ 1.0 kgf/cm

B

B



"X"

| D | |
|----------|---------|
| | *A* Dim |
| TYPE - A | 26.0 |
| TYPE - B | 24.0 |

THIS DRAWING IS A CONTROLLED DOCUMENT.

| | | | |
|------------------|----------------|----------------|------------------|
| DWN: S.J. CHOI | CHK: J.W. JUNG | APVD: H.G. CHO | PRODUCT SPEC |
| APPLICATION SPEC | | WEIGHT | CUSTOMER DRAWING |

TE Connectivity

15/2.8 HYBRID 92P PLUG ASS'Y

| | | | |
|------------|------------------|-----------------------|---------------|
| SIZE: A2 | CAGE CODE: 00779 | DRAWING NO: C-1743255 | RESTRICTED TO |
| SCALE: 2:1 | SHEET: 1 | OF: 1 | REV: D |

A

A