

4

3

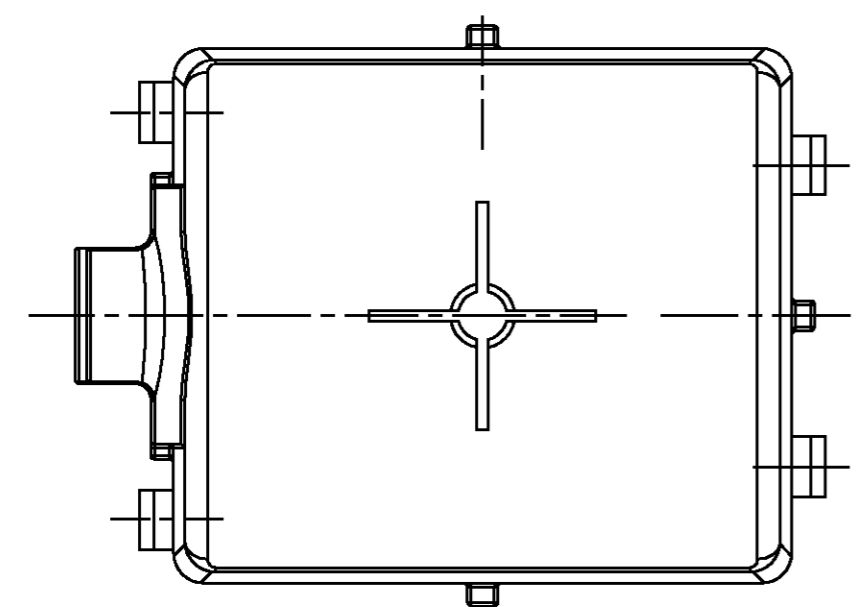
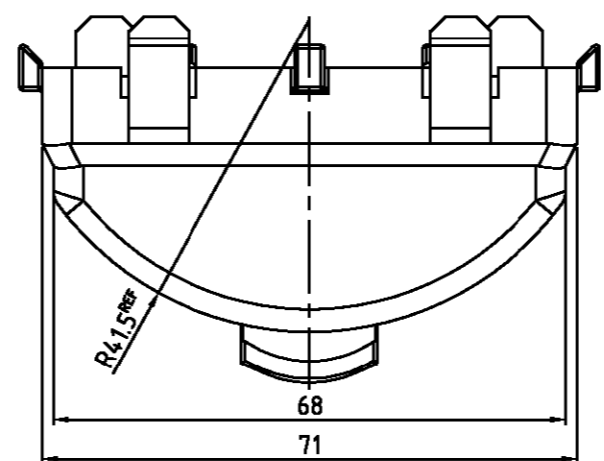
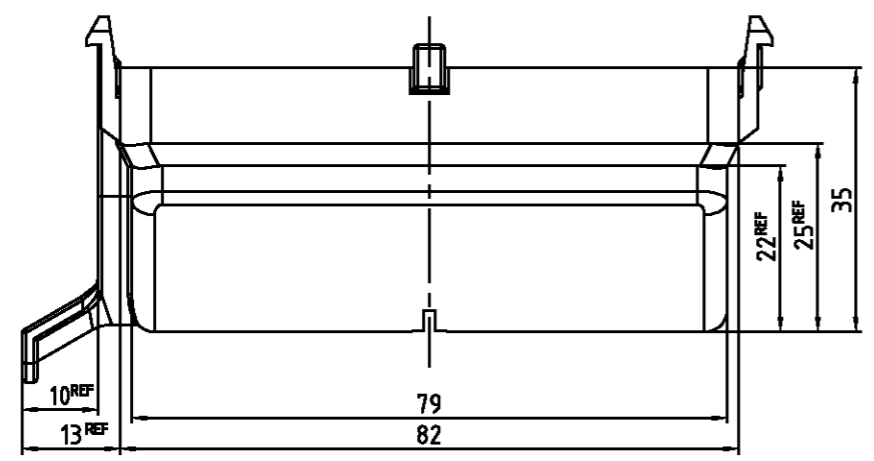
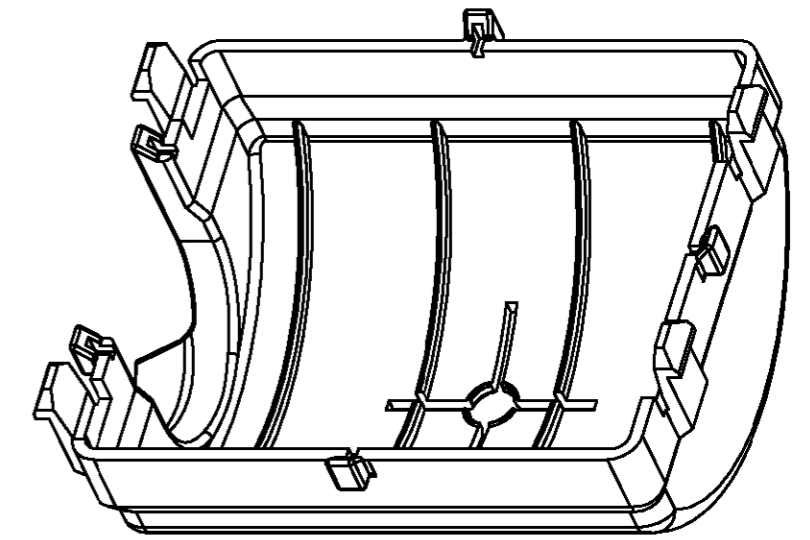
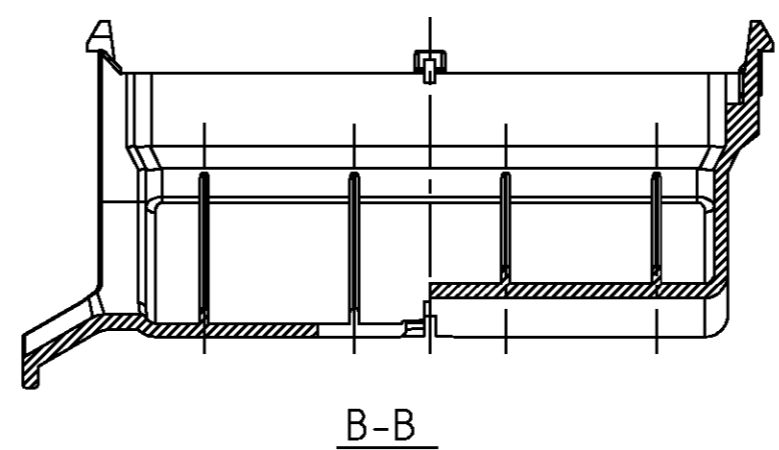
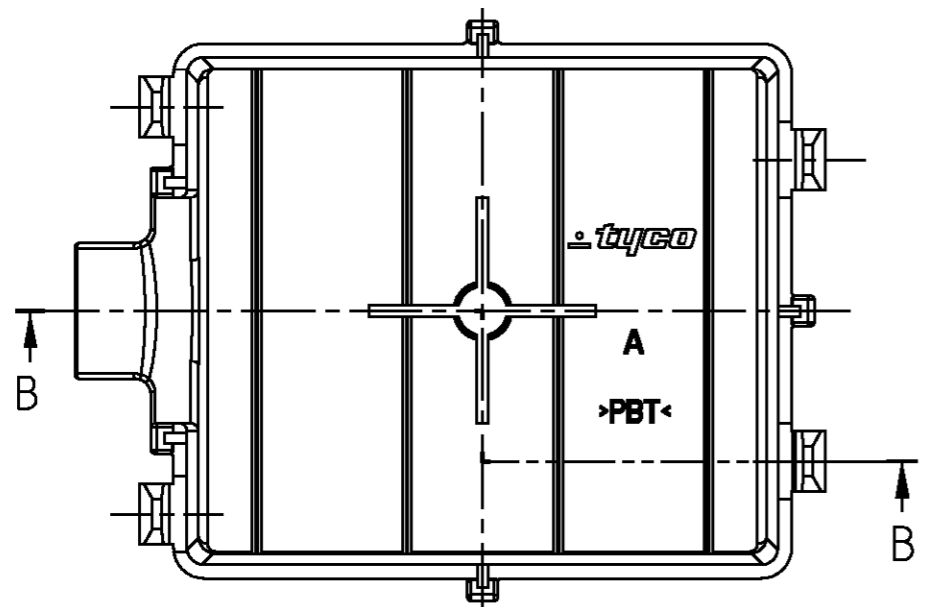
2

1

THIS DRAWING IS UNPUBLISHED. RELEASED FOR PUBLICATION

© COPYRIGHT BY TYCO ELECTRONICS CORPORATION. ALL RIGHTS RESERVED.

LOC	DIST	REVISIONS					
DS		P	LTR	DESCRIPTION	DATE	DWN	APVD
			A	RELEASED	10/NOV/05	YH	JK



NOTE.
 1. GENERAL TOLERANCE IS ± 0.4 , $\pm 3^\circ$
 2. MATING PLUG ASS'Y P/N : 1743126

P/N	COLOR	MAT'R	REMARK
0-1743129-1	BLACK	PBT	60P

<small>THIS DRAWING IS A CONTROLLED DOCUMENT FOR TYCO ELECTRONICS CORPORATION IT IS SUBJECT TO CHANGE AND THE CONTROLLING ENGINEERING ORGANIZATION SHOULD BE CONTACTED FOR THE LATEST REVISION.</small>		DWN :YH MA				AMP KOREA.	
DIMENSIONS: mm		TOLERANCES UNLESS OTHERWISE SPECIFIED: SEE NOTE				NAME	
 3rd ANGLE PROJECTION		FINISH		PRODUCT SPEC		60P WIRE COVER HSG (FOR C100)	
MATERIAL		WEIGHT		APVD :JK SONG	APPLICATION SPEC	SIZE	RESTRICTED TO
				APVD :JK SONG	APPLICATION SPEC	CAGE CODE	
				PRODUCT SPEC	APPLICATION SPEC	DRAWING NO	
				APPLICATION SPEC	APPLICATION SPEC	00779	
				WEIGHT	APPLICATION SPEC	1743129	
				CUSTOMER DRAWING		SCALE	SHEET
						1/1	1 OF 1
							REV
							A