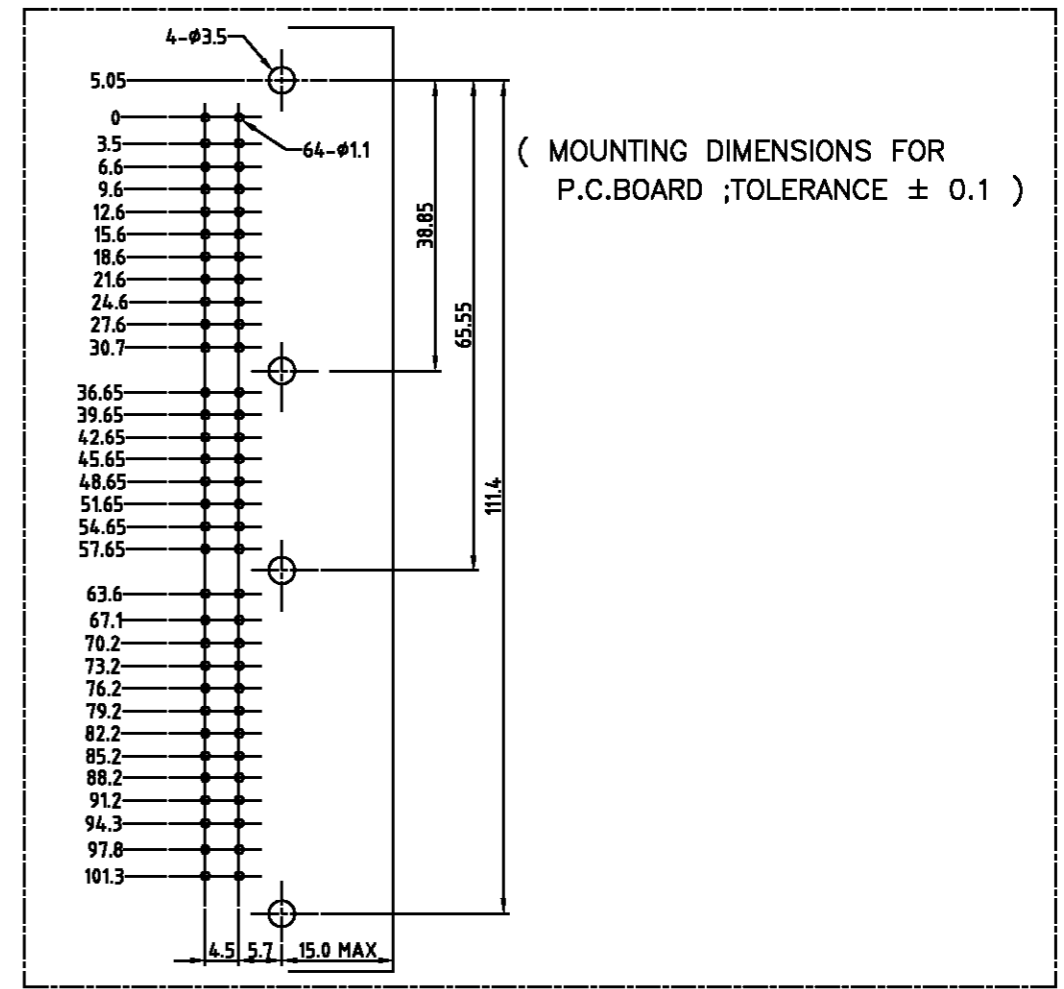
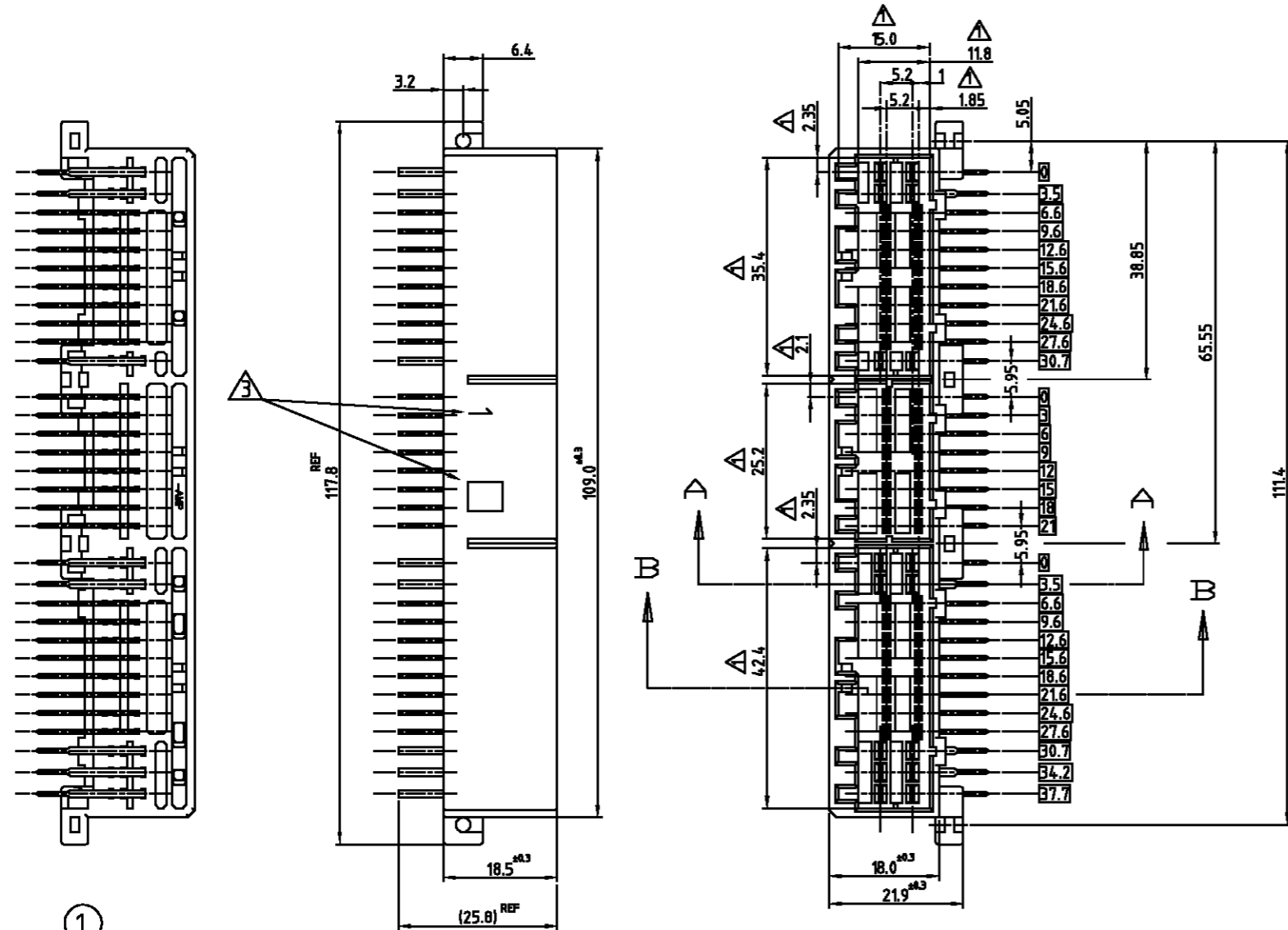
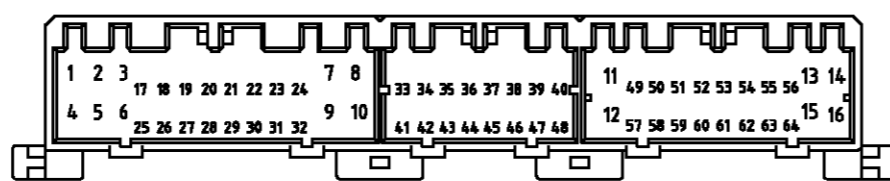


LOC	DIST	REVISIONS					
		P	LTR	DESCRIPTION	DATE	DWN	APVD
DS		0		RELEASED (FC00-0025-04)	10.FEB'04	JG	CS

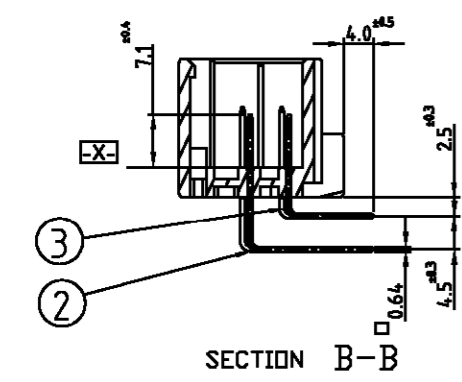
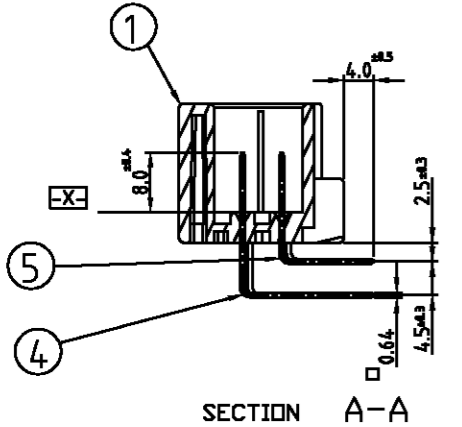


NOTE
 1. MUST BE KEPT BETWEEN \square AND 2.0 mm
 2. RECOMMENDED MOUNTING SCREW: 3 mm DIA, 6 mm LENGTH (MAX.)
 PAN HEAD, CLASS 2 TAPPING SCREW SPECIFIED IN JIS B1115, B1122
 (TIGHTENING TORQUE : 0.4 N.m (4 Kgf.Cm) MAX.)
 3. INDICATED PREFIX AND ID MARK OF PRODUCT P/N BY HOT MARK

CIRCUIT NO. <ALL PRE-TINNED>



NO	P/N	DESCRIPTION	MATERIAL	FINISH/COLOR	Q'TY
5	173739-1	.070 TAB(S)			8
4	173739-2	.070 TAB(L)			8
3	1-173738-2	.040 TAB(S)			24
2	1-173738-1	.040 TAB(L)	BRASS	PRE-TIN	24
1	174517-1	64 POS. CAP HOUSING	PBT	WHITE	1



DIMENSIONS: mm		TOLERANCES UNLESS OTHERWISE SPECIFIED:	
3rd ANGLE PROJECTION		0-XX-10	± 0.2
MATERIAL		10-XX-30	± 0.25
SEE TABLE		30-XX-100	± 0.3
FINISH		ANGLES	± 3°
SEE TABLE			

DWN JG MOON			AMP KOREA. kyungsan, korea	
CHK BN JANG	NAME 64 POS. CAP HOUSING ASS'Y .040/.070 HYBRID I/O CONN.			
APVD CS LEE	SIZE A3 CAGE CODE 00779 DRAWING NO 1743104			
PRODUCT SPEC 108 - 5342	RESTRICTED TO -			
APPLICATION SPEC 114 - 8005	SCALE 1/1 SHEET 1 OF 1 REV 0			
WEIGHT NET. 19.6 gf				

64 POS. CAP HOUSING ASS'Y .040/.070 HYBRID I/O CONN. 174-3104-1 P/N DESCRIPTION