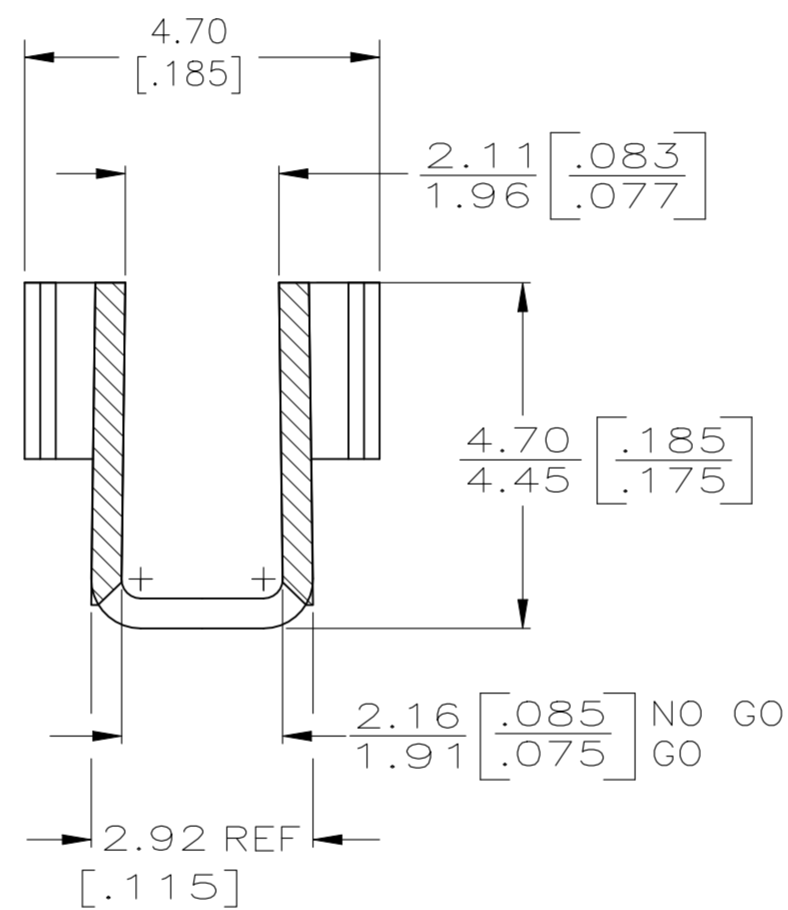
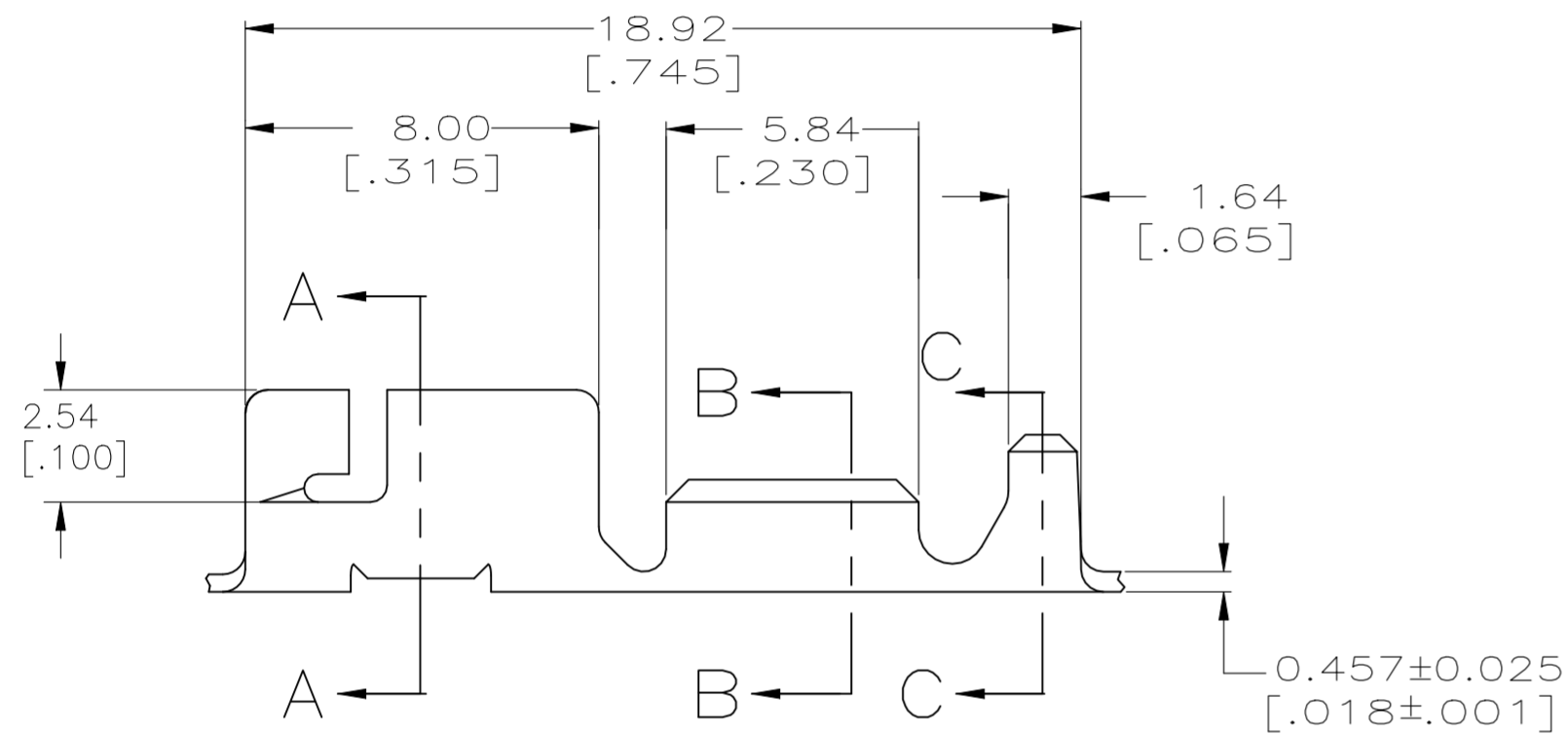
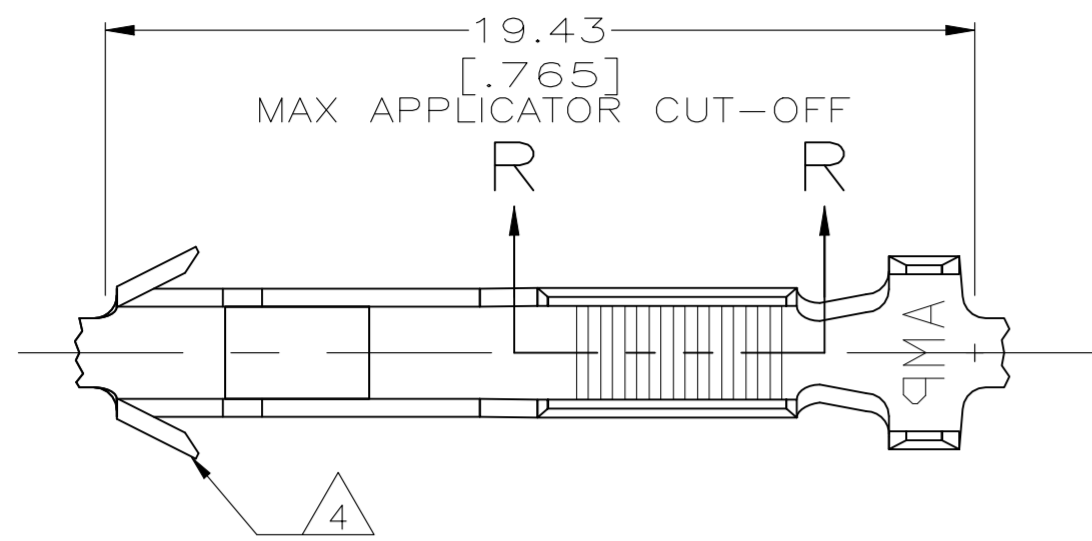
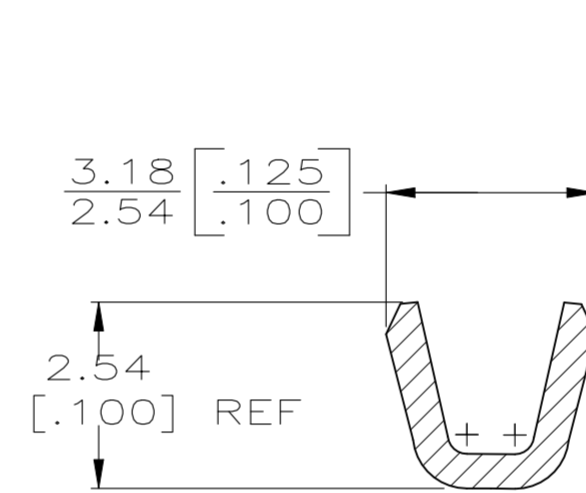


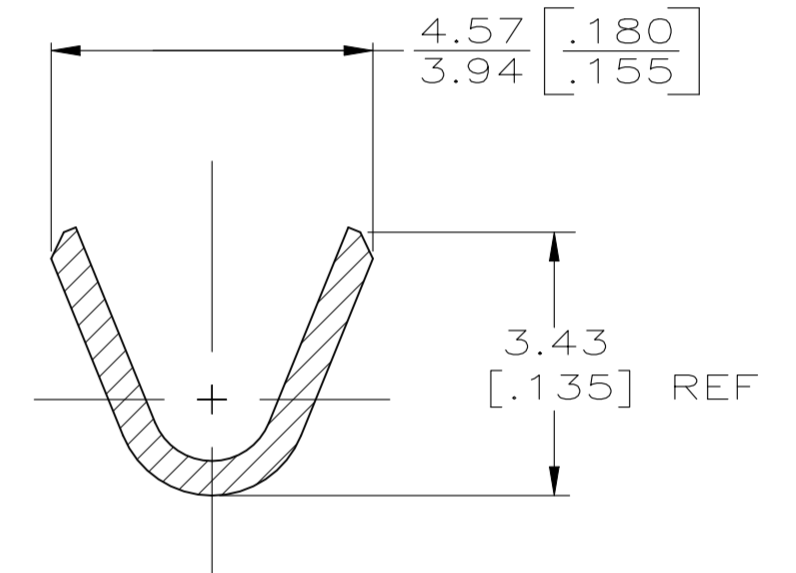
| LOC | DIST | REVISIONS | | | |
|-----|------|-------------|---------------------------|-----------|-------|
| P | LTR | DESCRIPTION | DATE | DWN | APVD |
| AF | 52 | B1 | REVISED PER ECR-14-006514 | 06APR2021 | SE DT |



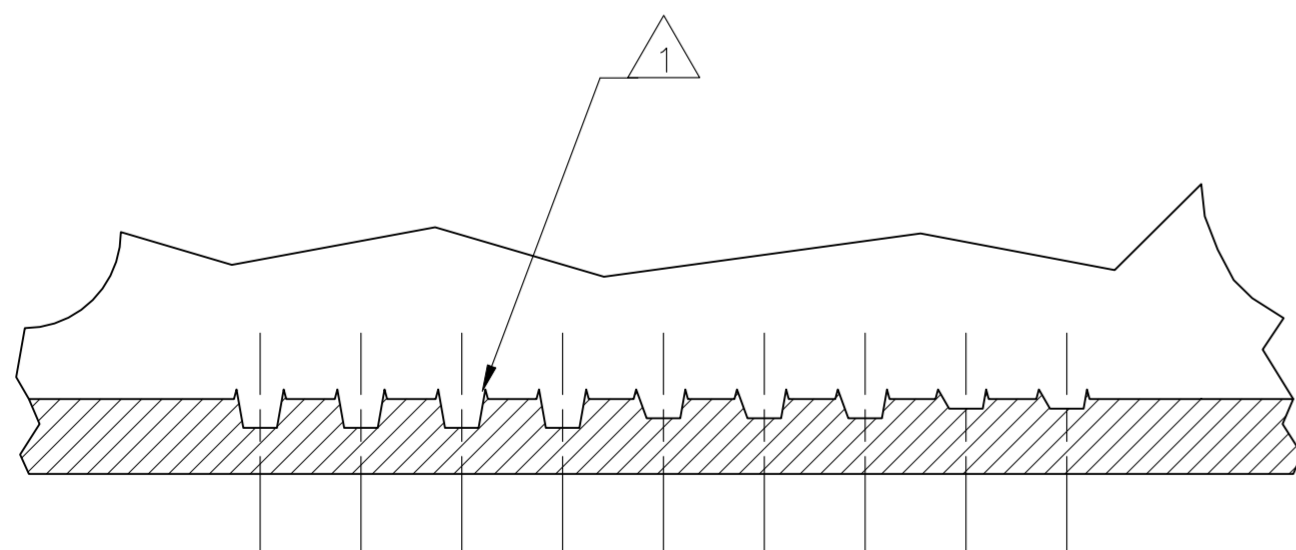
SECTION A-A
SCALE 10:1



SECTION B-B
SCALE 10:1



SECTION C-C
SCALE 10:1



SECTION R-R
SCALE 25:1

- 1 AMPLIVAR SERRATIONS CONNECT UP TO 3 COPPER OR ALUMINUM MAGNET WIRES WITHOUT THE NEED TO REMOVE THE INSULATION
- 2 CONTACT TE ENGINEERING FOR ALUMINUM MAGNET WIRE
- 3 SUPPLIED AS CONTINUOUS STRIP WITH TERMINALS ON 21.21 [0.835] CENTERS.
- 4 HIGH RETENTION FEATURE

| | | |
|--------------------------------|------------------------|-------------|
| 1.52-2.54 [0.060-0.100] DIA | 400-1600 CMA COPPER | 1742981-1 |
| INSULATION RANGE | CMA WIRE RANGE | PART NUMBER |

| | | | | |
|--|----------------------|--------------------------------|--|---------------|
| THIS DRAWING IS A CONTROLLED DOCUMENT. | | DWN JR RUTH 08JUN12 | TE Connectivity | |
| DIMENSIONS: mm [INCHES] | | CHK GENE JACONO 08JUN12 | RECEPTACLE, CLUSTER PIN, AMPLIVAR, 2.29 [0.090] DIA | |
| TOLERANCES UNLESS OTHERWISE SPECIFIED: | | APVD GENE JACONO 08JUN12 | NAME | RESTRICTED TO |
| 0 PLC ± - | 1 PLC ± - | PRODUCT SPEC 108-2008 | SIZE | — |
| 2 PLC ± 0.25[0.010] | 3 PLC ± - | APPLICATION SPEC 114-2019 | CAGE CODE | — |
| 4 PLC ± - | ANGLES ± - | WEIGHT | A2 00779 | — |
| MATERIAL H03 TIN-BRASS | FINISH TIN PLATED | CUSTOMER DRAWING | DRAWING NO C=1742981 | — |
| | | SCALE | SHEET | REV |
| | | 6:1 | 1 of 1 | B1 |