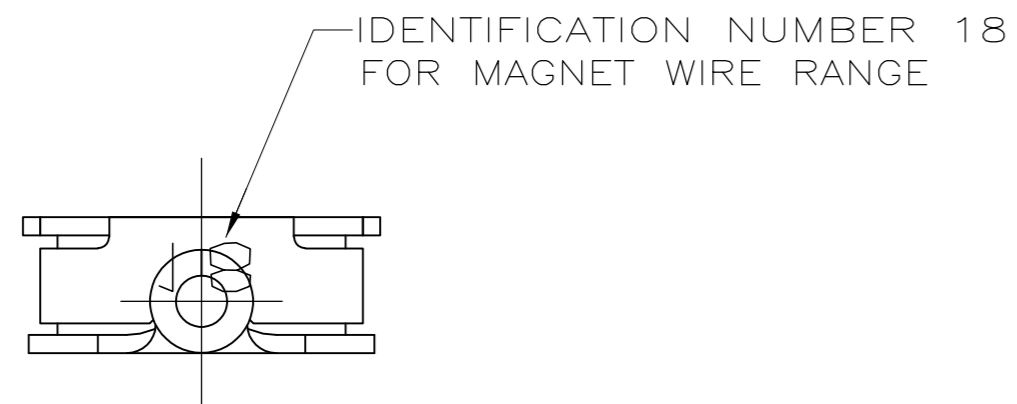
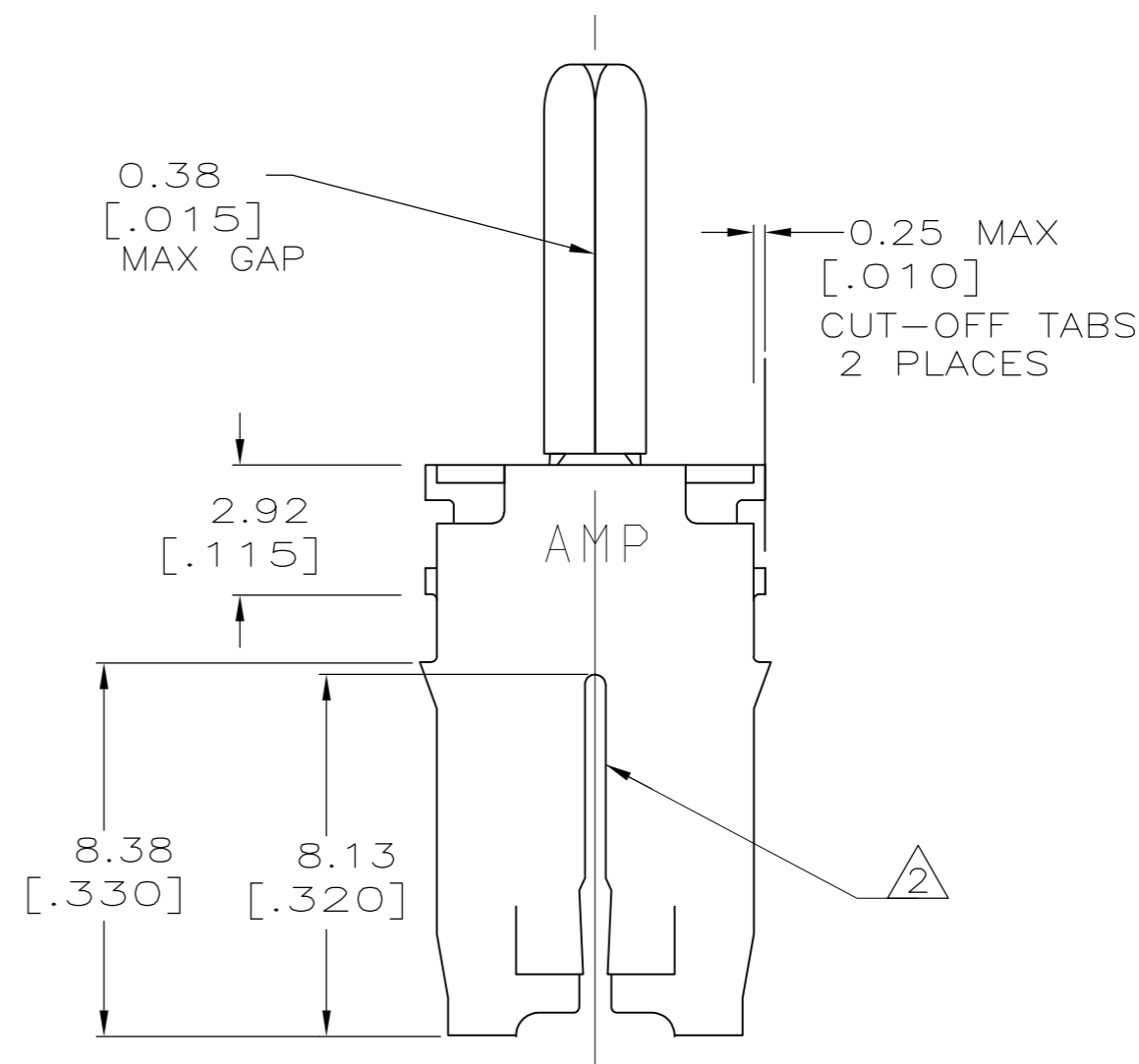
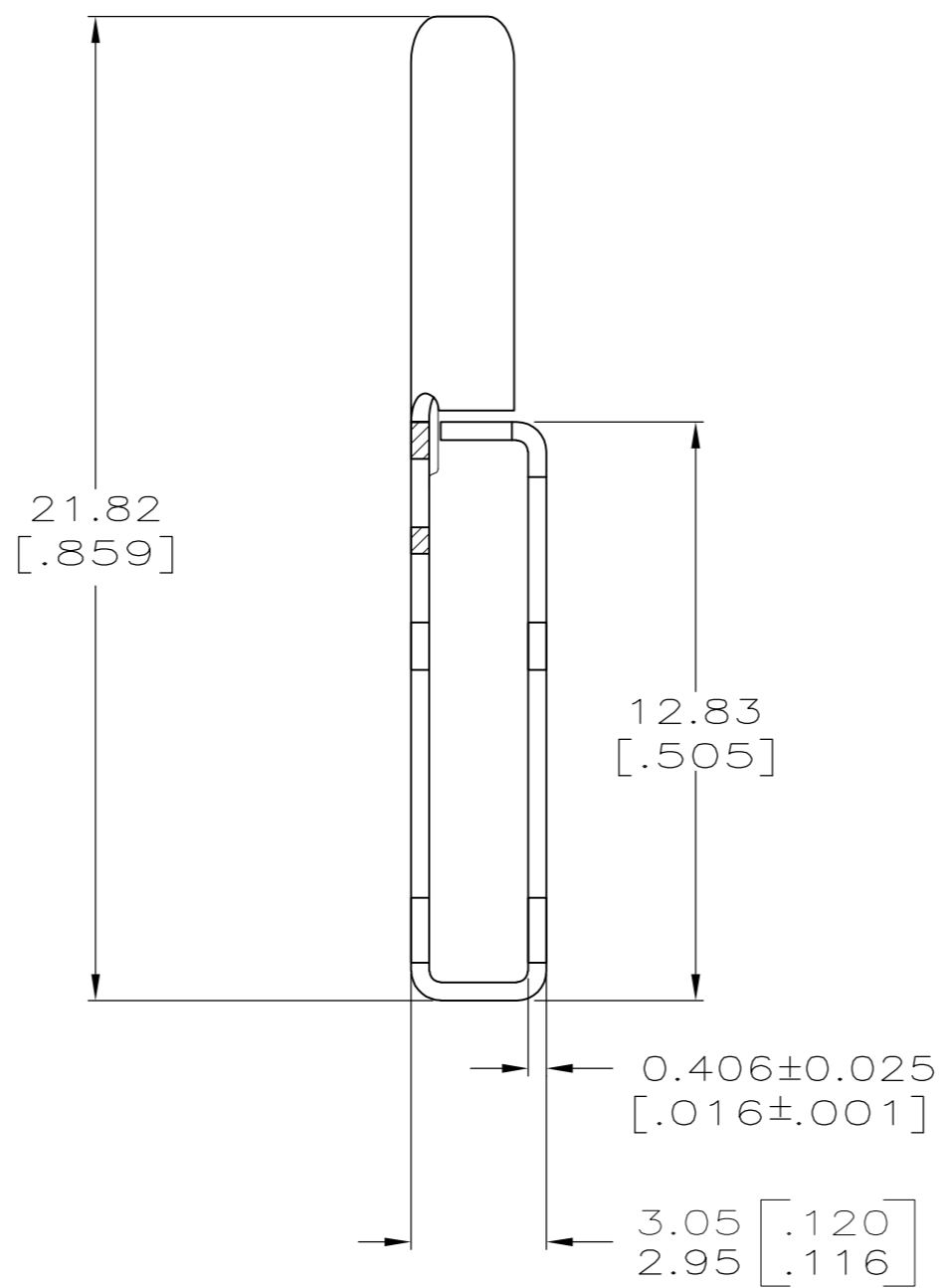
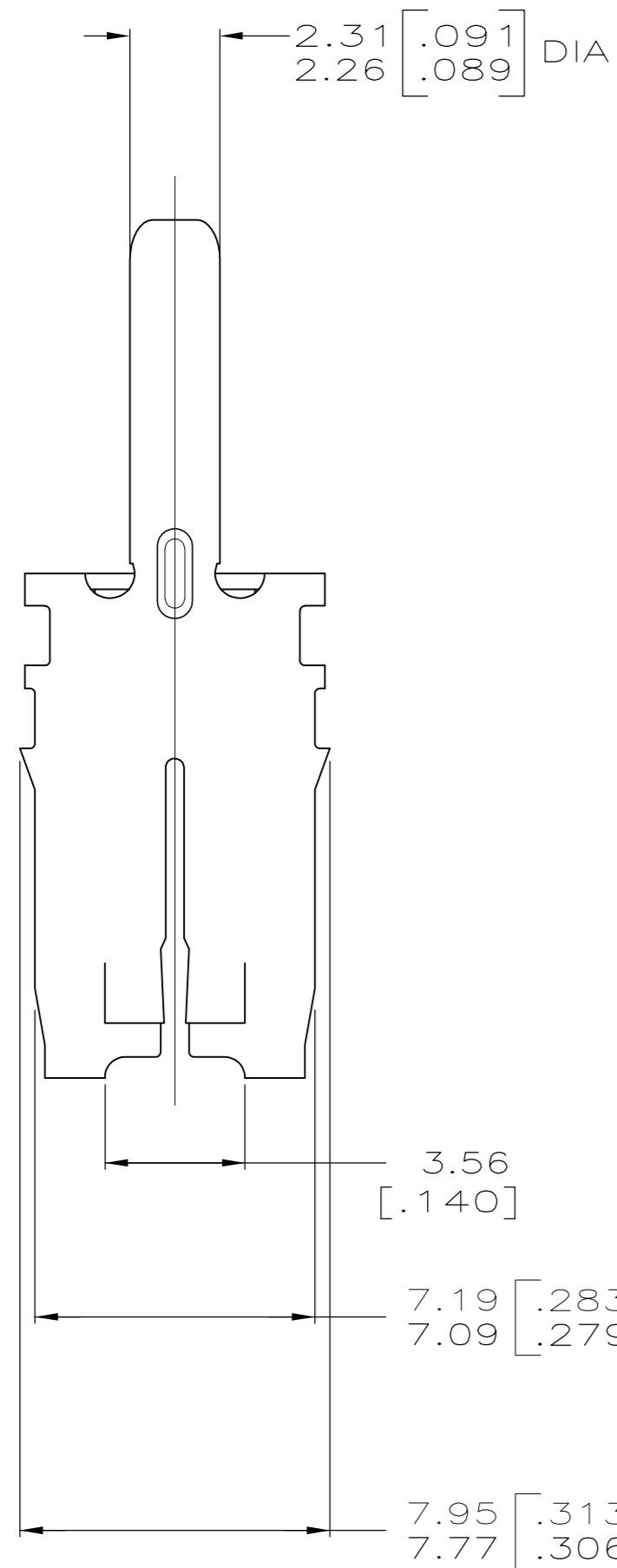


THIS DRAWING IS UNPUBLISHED. RELEASED FOR PUBLICATION
 © COPYRIGHT - By - ALL RIGHTS RESERVED.

LOC	DIST	REVISIONS			
P	LTR	DESCRIPTION	DATE	DWN	APVD
AF	50	A2	ECR-13-016672	25OCT13	PKS RRP



- 1 SUPPLIED IN LOOSE PIECE
- 2 SLOT ACCEPTS 0.64-0.81mm [#22-#20] AWG COPPER MAGNET WIRE. 2 WIRES OF THE SAME SIZE MAX PER SLOT.
- 3 VARNISH RESIST OVER TIN



MATERIAL	BRASS	PART NUMBER	1742409-1
TE TE Connectivity		PIN, 2.29[.090] DIA, 500 SERIES MAG-MATE	
SIZE	CAGE CODE	DRAWING NO	RESTRICTED TO
A2	00779	C=1742409	-
CUSTOMER DRAWING		SCALE	SHEET
		6:1	1 of 1
		REV	A2

THIS DRAWING IS A CONTROLLED DOCUMENT.		DWN	JR RUTH	07MAR06
DIMENSIONS: INCHES		CHK	K RANDOLPH	07MAR06
TOLERANCES UNLESS OTHERWISE SPECIFIED:		APVD	K RANDOLPH	07MAR06
0 PLC ± -		PRODUCT SPEC	108-2053	
1 PLC ± -		APPLICATION SPEC	114-2066	
2 PLC ± 0.25[.010]		WEIGHT	-	
3 PLC ± -		MATERIAL SEE TABLE		
4 PLC ± -		FINISH - 3		
ANGLES ± -				