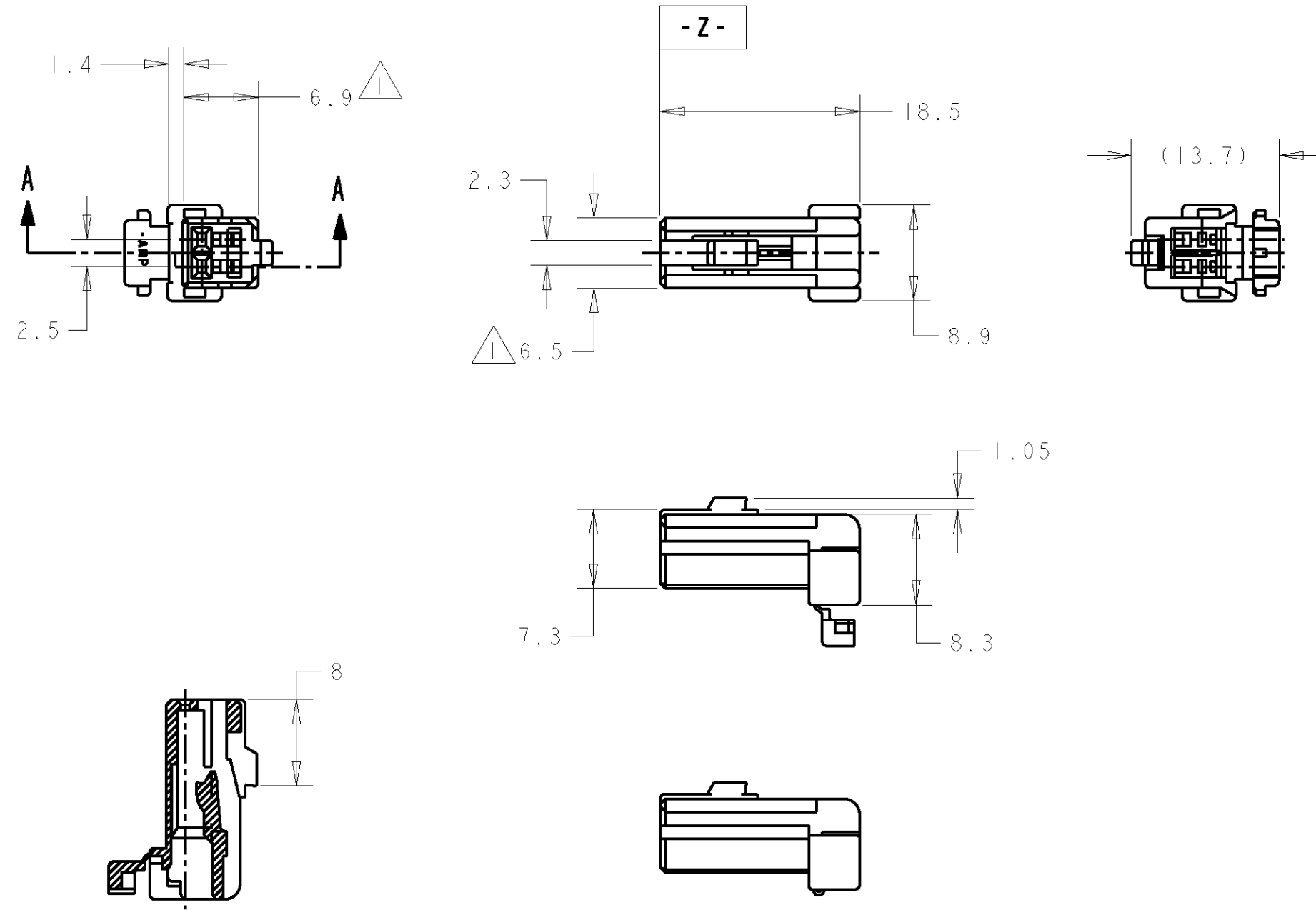


THIS DRAWING IS UNPUBLISHED. RELEASED FOR PUBLICATION 20
 © COPYRIGHT 20 BY TYCO ELECTRONICS CORPORATION. ALL RIGHTS RESERVED.

LOC	DIST	REVISIONS			
P	LTR	DESCRIPTION	DATE	DWN	APVD
FX	00	A	RELEASED PER ECO-09-002343	24FEB2009	DD SA



- △ TO BE MEASURED WITHIN 2mm FROM -Z-
2. APPLICABLE CONTACT PART NUMBER, 173681, 776768.
 3. MATING PART NUMBER 174057-1.

SECTION A - A

DOUBLE LOCKED

YELLOW	174056-1
COLOR	PART NUMBER

<small>THIS DRAWING IS A CONTROLLED DOCUMENT FOR TYCO ELECTRONICS CORPORATION. IT IS SUBJECT TO CHANGE AND THE CONTROLLING ENGINEERING ORGANIZATION SHOULD BE CONTACTED FOR THE LATEST REVISION.</small>		DWN D. DRUMMOND 18FEB2009 CHK S. ASHLEY 18FEB2009 APVD S. ASHLEY 18FEB2009		Tyco Electronics Harrisburg, PA 17105-3608	
DIMENSIONS: mm 		TOLERANCES UNLESS OTHERWISE SPECIFIED: 0 PLC ±- 1 PLC ±0.3 2 PLC ±0.30 3 PLC ±- 4 PLC ±- ANGLES ±-		NAME PLUG HOUSING, 2 POSITION, 040 SERIES, MULTILOCK CONNECTOR	
MATERIAL PBT		FINISH -		PRODUCT SPEC 108-5352 APPLICATION SPEC - WEIGHT 0.7g	
CUSTOMER DRAWING		SIZE A3 CAGE CODE 00779 DRAWING NO. 174056-1		RESTRICTED TO -	
SCALE 2:1		SHEET 1 OF 1		REV A	