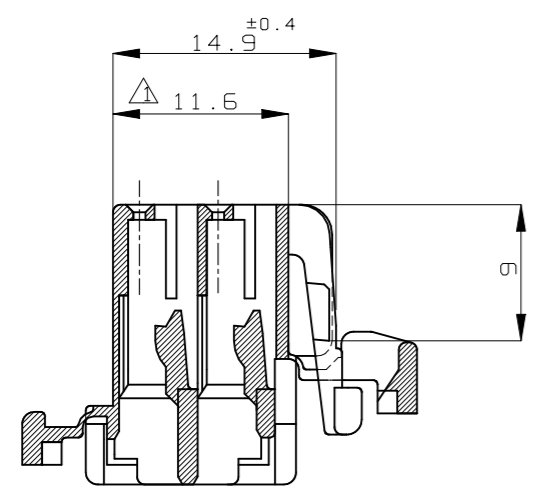
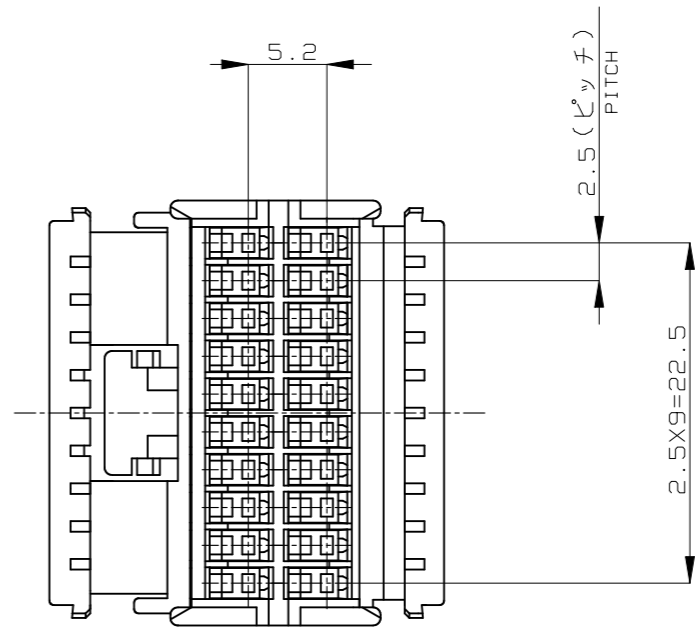
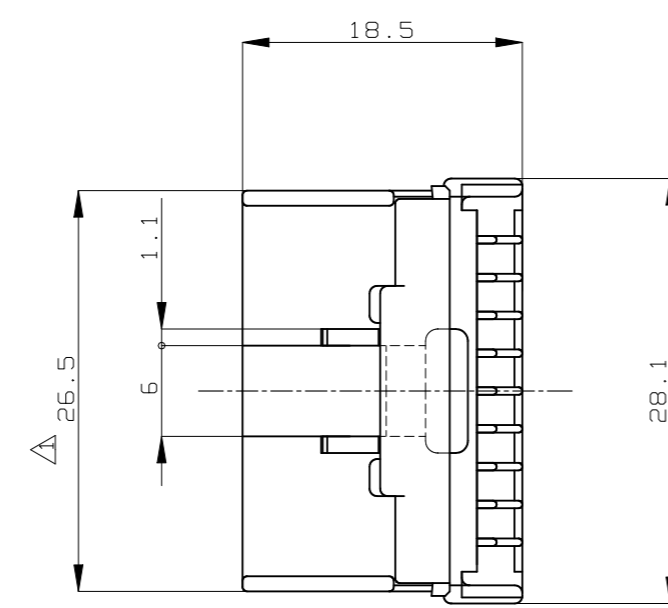
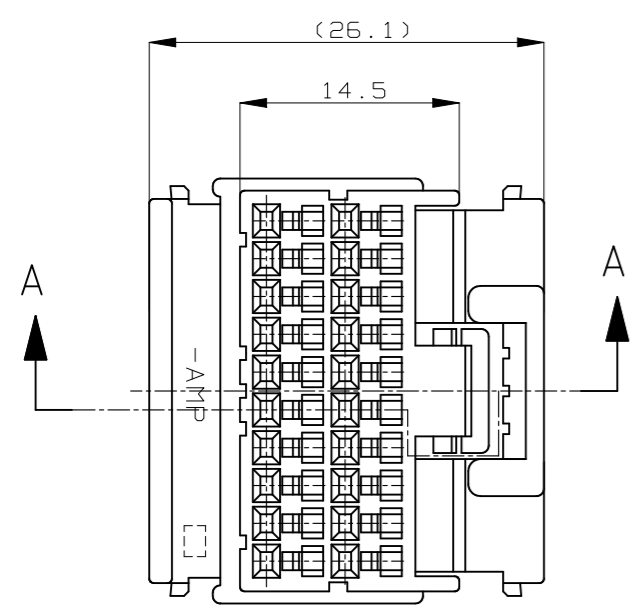
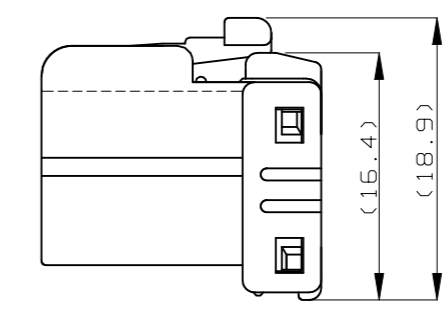
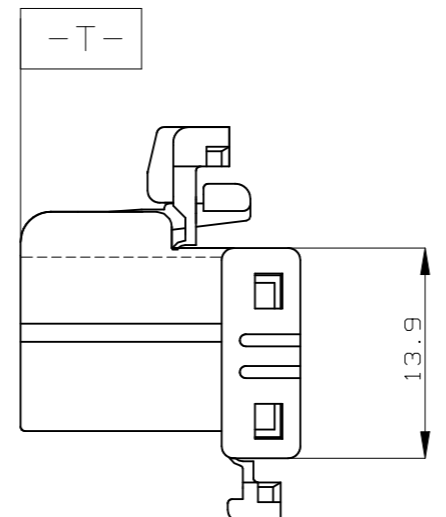


REVISIONS 変更					
P	LTR	DESCRIPTION	DATE	DWN	APVD
G4	REVISED	ECR-23-185274	06SEP2023	AG	RK



A-A




二重ロック時  
DOUBLE LOCKED

OBSOLETE	オレンジ (ORANGE)	174047-8
	青 (BLUE)	174047-5
OBSOLETE	緑 (GREEN)	174047-4
	黒 (BLACK)	174047-2
	白 (WHITE)	174047-1
	色 (COLOR)	製品型番 (PART NO.)

- ① TO BE MEASURED WITHIN 2mm FROM [-T-]
- ② APPLICABLE PRODUCT SPEC. NO. 108-5244, 108-5352
- 3. THE MATING CAP HOUSING NUMBERS: 174977, 174055, 175652, 174146, 178460, 174149, AND 174151
- 4. APPLIED CONTACT PART NUMBER: 173681, 175180

- ① [-T-] 面より2mmの範囲で測定
- ② 適用製品規格番号 108-5244, 108-5352
- 3. 嵌合相手ハウジング型番; 174977, 174055, 175652, 174146, 178460, 174149 AND 174151
- 4. 内装するコンタクト型番: 173681, 175180

TOLERANCE UNLESS OTHERWISE SPECIFIED: 一般公差	
0 < x ≤ 10	: ±0.2
10 < x ≤ 30	: ±0.25
30 < x ≤ 100	: ±0.3
ANGLE ; 角度	: ±3°

THIS DRAWING IS A CONTROLLED DOCUMENT.		DWN M.SUGAWARA 07AUG06	 <b>TE Connectivity</b> 20POSITION PLUG HOUSING 040SERIES MULTI-LOCK CONNECTOR																								
DIMENSIONS: 単位: 耗 mm		CHK T.SHINOHARA 07AUG06				NAME K.BETSUI																					
TOLERANCES UNLESS OTHERWISE SPECIFIED: 一般公差		APVD 07AUG06				PRODUCT SPEC 製品規格																					
MATERIAL 材料 PBT		FINISH 仕上 -				APPLICATION SPEC 取付適用規格																					
<table border="1"> <thead> <tr> <th>PLC</th> <th>ANGLES</th> <th>TOLERANCE</th> </tr> </thead> <tbody> <tr> <td>0 PLC</td> <td></td> <td>± -</td> </tr> <tr> <td>1 PLC</td> <td></td> <td>± -</td> </tr> <tr> <td>2 PLC</td> <td></td> <td>± -</td> </tr> <tr> <td>3 PLC</td> <td></td> <td>± -</td> </tr> <tr> <td>4 PLC</td> <td></td> <td>± -</td> </tr> <tr> <td>ANGLES</td> <td></td> <td>± -</td> </tr> </tbody> </table>		PLC	ANGLES	TOLERANCE	0 PLC		± -	1 PLC		± -	2 PLC		± -	3 PLC		± -	4 PLC		± -	ANGLES		± -	WEIGHT 0.000000	SIZE A3	CAGE CODE 00779	DRAWING NO C-174047	RESTRICTED TO -
PLC	ANGLES	TOLERANCE																									
0 PLC		± -																									
1 PLC		± -																									
2 PLC		± -																									
3 PLC		± -																									
4 PLC		± -																									
ANGLES		± -																									
CUSTOMER DRAWING			SCALE 尺度 2:1	SHEET 1 OF 1	REV G4																						