

THIS DRAWING IS UNPUBLISHED.

RELEASED FOR PUBLICATION

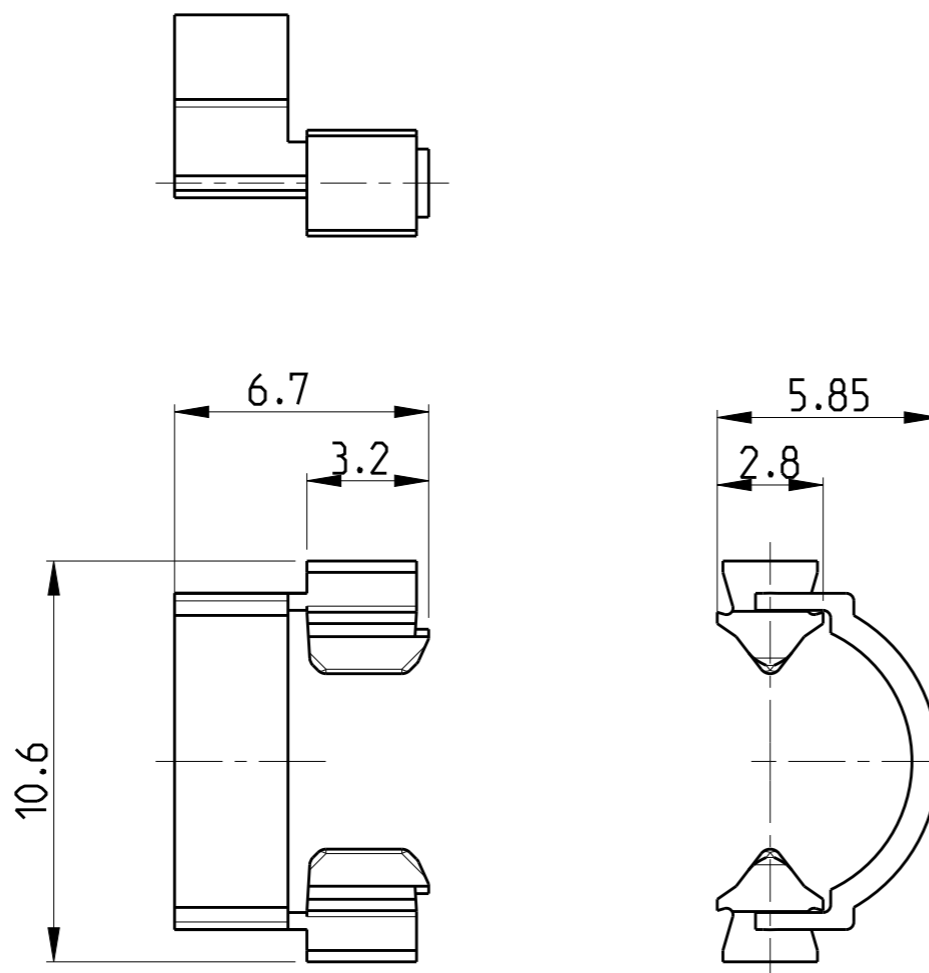
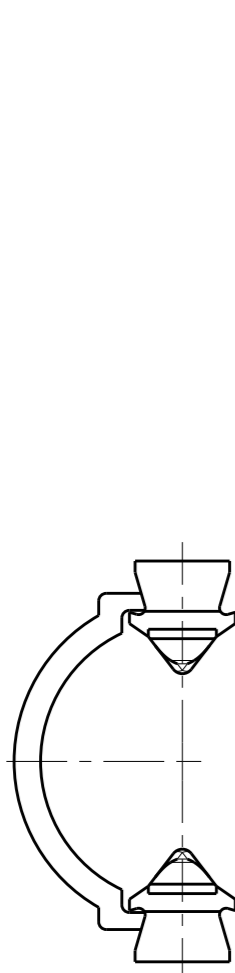
2005

© COPYRIGHT 2005 BY -

ALL RIGHTS RESERVED.

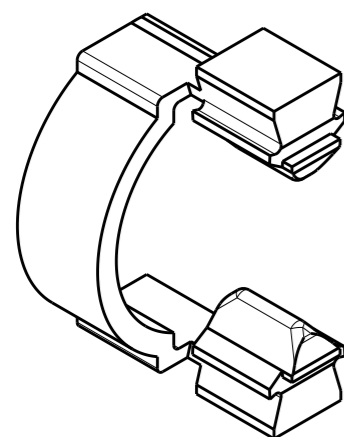
REVISIONS

P	LTR	DESCRIPTION	DATE	DWN	APVD
	E	REVISED PER ECR-17-005331	20APR2017	SK	JL



Notes:

1. Ring Clip used for Tube PN 1740260-x
2. Tool needed for assembling Tube and Ring Clip (see Application Spec.) Half ring will be sheared off



0-1740261-2	D	BLACK (ANTHRACITE)
0-1740261-1	D	NATURAL (WHITE)
PN	REV.	COLOR

THIS DRAWING IS A CONTROLLED DOCUMENT.		DWN H.ATZMANN 08FEB2005														
DIMENSIONS: mm		CHK M.OFENLOCH 08FEB2005														
TOLERANCES UNLESS OTHERWISE SPECIFIED:		APVD T.GERLACH 08FEB2005	NAME 7.5mm MiniHVL Connector System Ring Clip													
<table border="0"> <tr> <td>0 PLC</td> <td>±0.2</td> </tr> <tr> <td>1 PLC</td> <td>±0.2</td> </tr> <tr> <td>2 PLC</td> <td>±0.2</td> </tr> <tr> <td>3 PLC</td> <td>±</td> </tr> <tr> <td>4 PLC</td> <td>±</td> </tr> <tr> <td>ANGLES</td> <td>±1°</td> </tr> </table>		0 PLC	±0.2	1 PLC	±0.2	2 PLC	±0.2	3 PLC	±	4 PLC	±	ANGLES	±1°	PRODUCT SPEC 108-94018	RESTRICTED TO	
0 PLC	±0.2															
1 PLC	±0.2															
2 PLC	±0.2															
3 PLC	±															
4 PLC	±															
ANGLES	±1°															
MATERIAL PA 6		APPLICATION SPEC 114-18751	SIZE A3	CAGE CODE 00779												
FINISH -		WEIGHT 0.1 g	DRAWING NO C-1740261	REV E												
CUSTOMER DRAWING			SCALE 5:1	SHEET 1 OF 1												