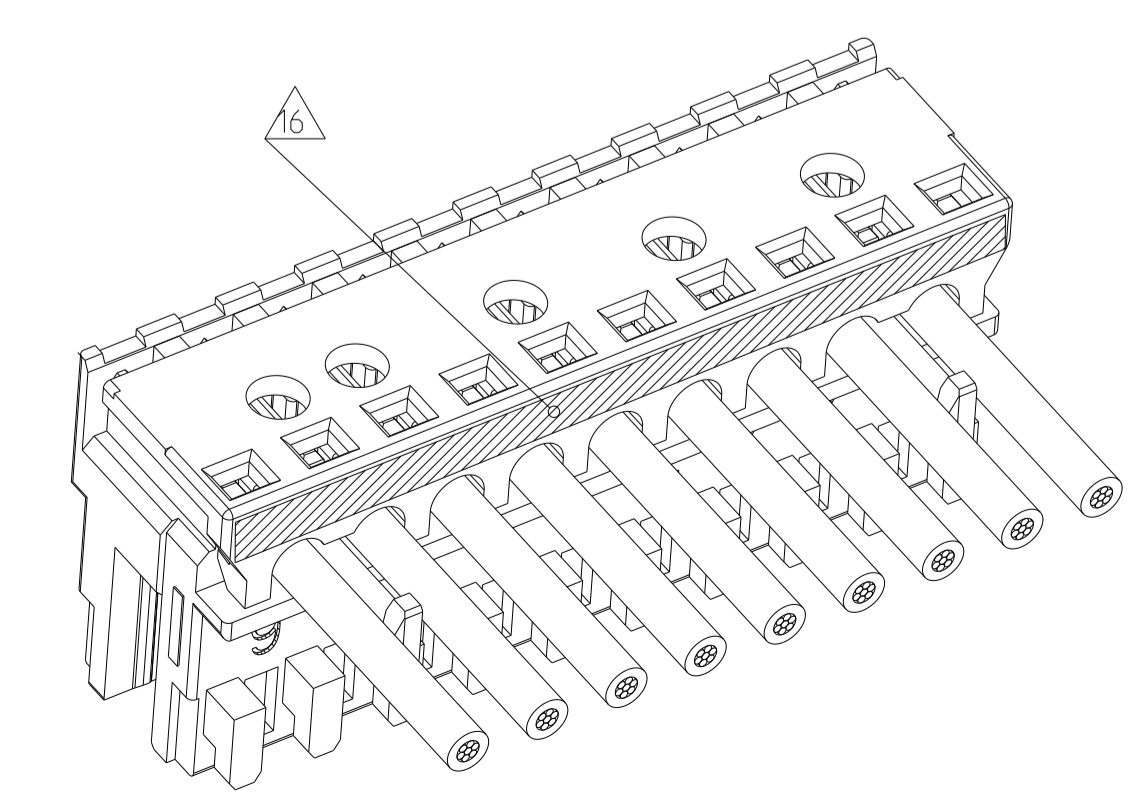
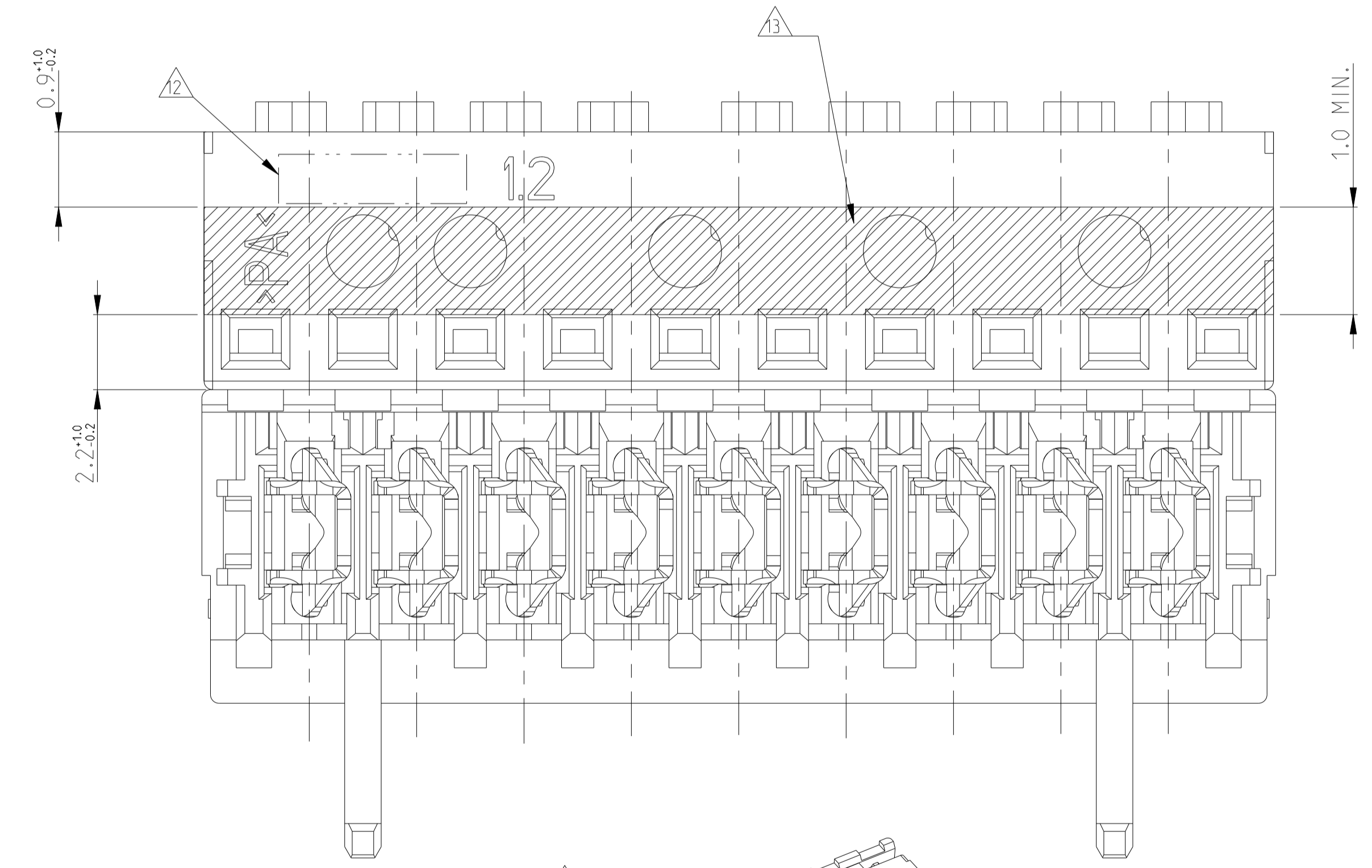
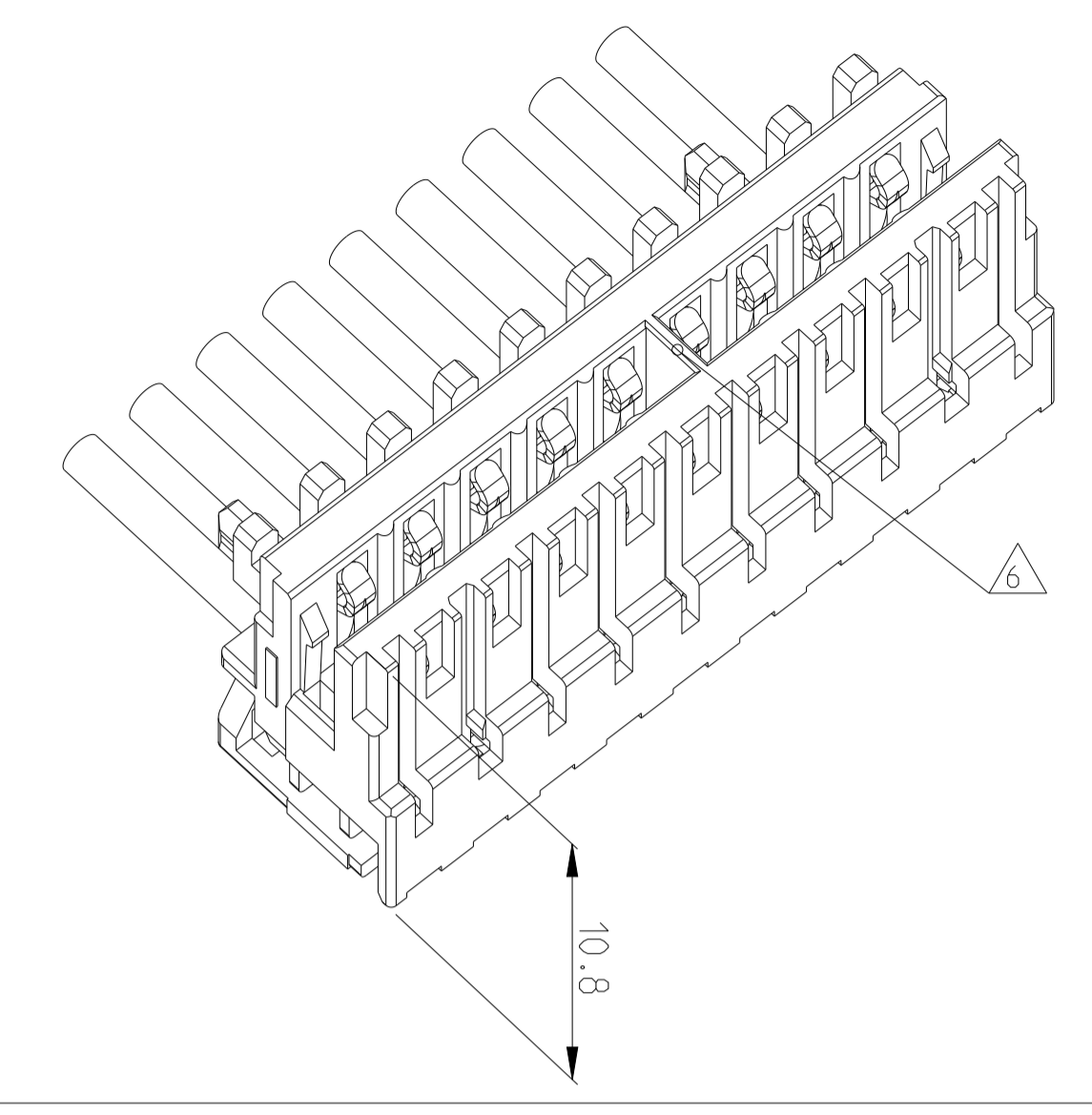


| LOC | DIST | REVISIONS |             |      |     |
|-----|------|-----------|-------------|------|-----|
|     |      | REV       | DATE        | BY   | CHK |
| A1  | -    | C8        | 22 JUN 2020 | BD A | KD  |
|     |      | C9        | 04 JUL 2021 | SM   | FL  |
|     |      | C11       | 08 AUG 2023 | SM   | FL  |
|     |      | C11       | 31 JAN 2024 | SM   | FL  |



- △16 STRIPE IN YELLOW COLOR WHERE SHOWN PRESENT ON THE PARTS PRODUCED IN TE COLLEGNO ONLY
- △15 HOUSING COLOUR: SIMILAR RAL 5024
- △14 PRELIMINARY - NOT RELEASED FOR PRODUCTION
- △13 COLOR STRIP ON COVER OF HOUSING. NOT THE COLOR OF HOUSING
- △12 TE LOGO
- △8 - △11 SEE SHEET 2 siehe Blatt 2
- △7 RESERVED FOR BASIC NO. 1 740 155 Fuer Basisnummer 1 740 155 reserviert
- △6 POLARIZATION RIB BETWEEN CAVITY NO. ... Polarisierungsrippe zwischen Kammer Nr. ...
- △5 LOCKING HOOK BETWEEN BEFORE CAVITY NO. 1 AND AFTER LAST CAVITY Rasthaken vor Kammer Nr. 1 und letzter Kammer
- 4 WIRE RANGE: 0.22-0.35mm<sup>2</sup> Drahtgroßenbereich: 0.22-0.35mm<sup>2</sup>
- △3 IEC 60695-2-1 / IEC60335-1 GLOW WIRE TEST 750 °C WITHOUT FLAME IEC 60695-2-1 / IEC60335-1 Gluehdrahttest 750 °C ohne Flamme
- 2 MATING PART: SEE PCB LAYOUT Passender Gegenstecker: Siehe Leiterplattenanschluss
- △1 KEYING RIBS; CUTTING WITH TERMINATION MACHINE POSSIBLE Kodierrippe; Schneiden auf der Verarbeitungsmaschine moeglich

OBSOLETE

| Color Code | POS. Polzahl | DIM A | DIM B | POLARIZATION | PN Bestell-Nr.         |
|------------|--------------|-------|-------|--------------|------------------------|
| Green      | 3            | 5     | 9.9   | 2+3          | △14 8-1740154-3 / △15  |
|            | 3            | 5     | 9.9   | 2+3          | △14 7-1740154-3        |
|            | 3            | 5     | 9.9   | -            | 6-1740154-3            |
|            | 8            | 17.5  | 22.4  | 5 + 6        | △14 1-1740154-8        |
|            | 6            | 12.5  | 17.4  | 4 + 5        | △14 1-1740154-6        |
|            | 5            | 10    | 14.9  | -            | △14 2-1740154-5        |
|            | 5            | 10    | 14.9  | 4 + 5        | 1-1740154-5            |
|            | 4            | 7.5   | 12.4  | 1 + 2        | △14 1-1740154-4        |
|            | 3            | 5     | 9.9   | 2 + 3        | △14 1-1740154-3        |
|            | 6            | 12.5  | 17.4  | -            | 9-1740154-6            |
| Blue       | 5            | 10    | 14.9  | -            | <del>9-1740154-5</del> |
|            | 3            | 5     | 9.9   | -            | 9-1740154-3            |
|            | 20           | 47.5  | 52.4  | 9 + 10       | -                      |
|            | 19           | 45    | 49.9  | 9 + 10       | -                      |
|            | 18           | 42.5  | 47.4  | 8 + 9        | -                      |
|            | 17           | 40    | 44.9  | 8 + 9        | -                      |
|            | 16           | 37.5  | 42.4  | 7 + 8        | △7                     |
|            | 15           | 35    | 39.9  | 7 + 8        | -                      |
|            | 14           | 32.5  | 37.4  | 6 + 7        | -                      |
|            | 13           | 30    | 34.9  | 6 + 7        | -                      |
|            | 12           | 27.5  | 32.4  | 5 + 6        | -                      |
|            | 11           | 25    | 29.9  | 5 + 6        | -                      |
|            | 10           | 22.5  | 27.4  | 4 + 5        | -                      |
|            | 9            | 20    | 24.9  | 4 + 5        | -                      |
|            | 8            | 17.5  | 22.4  | 3 + 4        | -                      |
|            | 7            | 15    | 19.9  | 3 + 4        | -                      |
|            | 6            | 12.5  | 17.4  | 2 + 3        | -                      |
|            | 5            | 10    | 14.9  | 2 + 3        | -                      |
|            | 4            | 7.5   | 12.4  | 1 + 2        | -                      |
|            | 3            | 5     | 9.9   | 1 + 2        | -                      |

| POS. | PN Bestell-Nr. | DESCRIPTION Beschreibung | MATERIAL           | COLOUR/FINISH Farbe/Oberflaeche |
|------|----------------|--------------------------|--------------------|---------------------------------|
| 2    | SEE TABLE      | CONTACT/Kontakt          | CuSn               | TINNED/verzinkt                 |
| 1    | siehe Tabelle  | HOUSING/Federleistengeh. | PA 6 GF UL94-V2 △3 | NATUR/Natur                     |

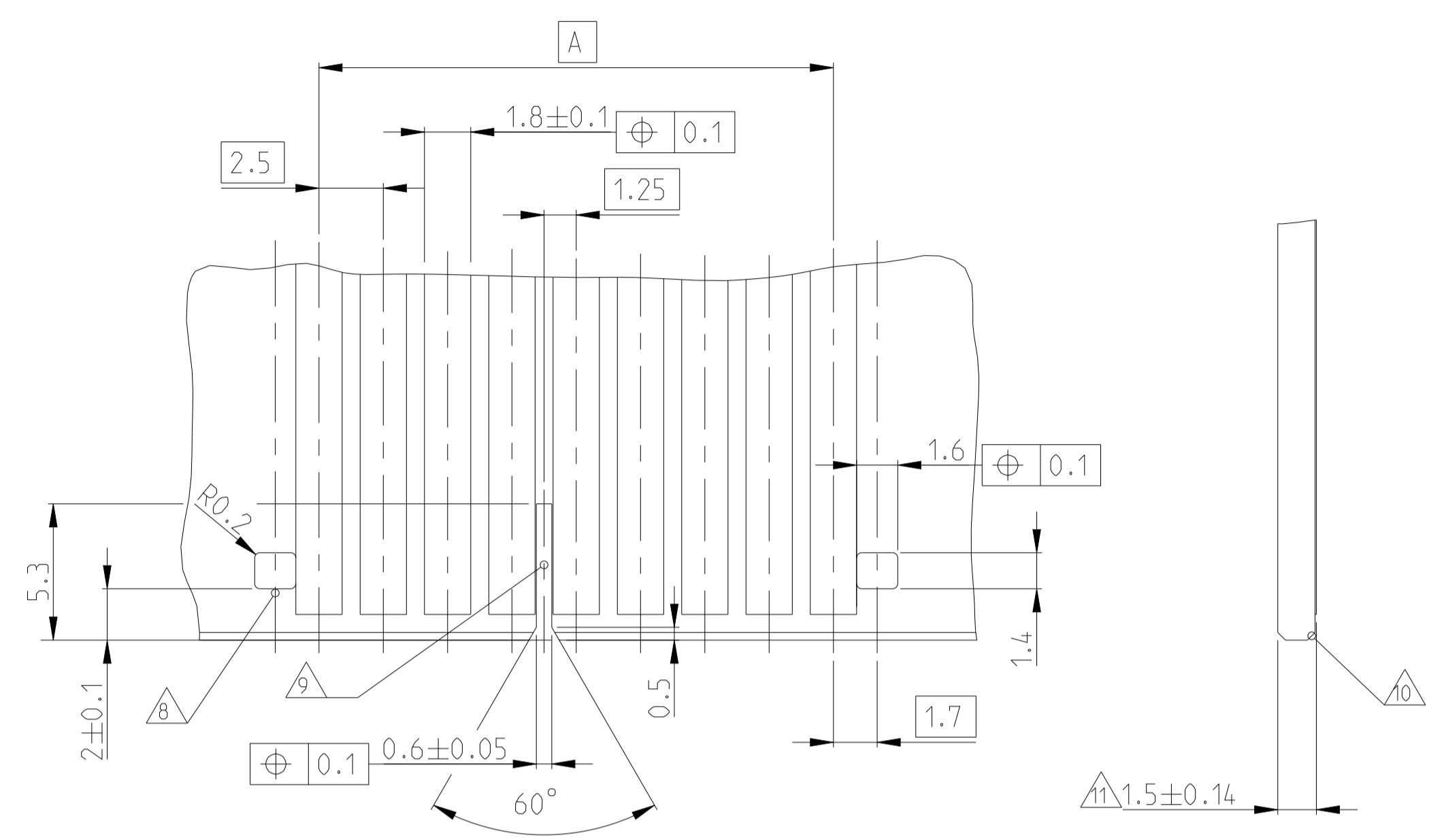
THIS DRAWING IS A CONTROLLED DOCUMENT. DIMENSIONS: mm. TOLERANCES UNLESS OTHERWISE SPECIFIED: 0 PLC ±0.2, 1 PLC ±0.2, 2 PLC ±0.2, 3 PLC ±0.2, 4 PLC ±, ANGLES ±°. MATERIAL: SEE TABLE. FINISH: SEE TABLE.

OWN: H. Karabiyik, CHK: B. Schnaubelt, APVD: T. Klenner. PRODUCT SPEC: APPLICATION SPEC. WEIGHT: -. CUSTOMER DRAWING: SCALE 10:1 SHEET 1 OF 2 REV: C11

**STE** TE Connectivity  
AMP DUOPLUG MK11 FEMALE CONNECTOR 3-20 POSITION WITH PCB LOCKING  
SIZE: A1 CAGE CODE: 00779 DRAWING NO: C=1740154 RESTRICTED TO

| LOC |  | DIST |  | REVISIONS |             |      |     |      |
|-----|--|------|--|-----------|-------------|------|-----|------|
| A1  |  | -    |  | PLN       | DESCRIPTION | DATE | DWN | APVD |
|     |  |      |  | -         | SEE SHEET 1 | -    | -   | -    |
|     |  |      |  |           |             |      |     |      |
|     |  |      |  |           |             |      |     |      |

**STANDARD PCB LAYOUT**  
**Standard Leiterplattenanschluss**



- ▲ INCLUSIVE COPPER CLADDING, SINGLE OR DOUBLE SIDED  
Inklusive Kupferkaschierung, ein oder doppelseitig
- ▲ PCB PREFERABLY CHAMFERED  
Leiterplatte vorzugsweise angefast
- ▲ SLOT FOR POLARIZATION RIB  
Schlitz fuer Polarisierungsrippe
- ▲ WINDOW FOR LOCKING HOOK  
Fenster fuer Rasthaken
- ▲ - ▲ SEE SHEET 1  
siehe Blatt 1

|   |  |                      |             |   |
|---|--|----------------------|-------------|---|
| THIS DRAWING IS A CONTROLLED DOCUMENT.  |  | DWN<br>H. Karabiyik  | OSMAR2004   | <b>STE</b> TE Connectivity  |
| DIMENSIONS:<br>mm   |  | CHK<br>B. Schnaubelt | OSMAR2004   |   |
| TOLERANCES UNLESS OTHERWISE SPECIFIED:  |  | APVD<br>T. Klenner   | OSMAR2004   | NAME<br>AMP DUOPLUG MKII FEMALE CONNECTOR<br>3-20 POSITION WITH PCB LOCKING |
| 0 PLC ±0.2<br>1 PLC ±0.2<br>2 PLC ±0.2<br>3 PLC ±0.2<br>4 PLC ±0.2<br>ANGLES ±° |  | PRODUCT SPEC         |             | APPLICATION SPEC  |
| MATERIAL<br>SEE TABLE   |  | FINISH<br>SEE TABLE  | WEIGHT<br>- | SIZE<br>A1  |
|   |  | CUSTOMER DRAWING     |             | SCALE<br>5:1  |
|   |  |                      |             | SHEET<br>2 OF 2   |
|   |  |                      |             | REV<br>11   |