

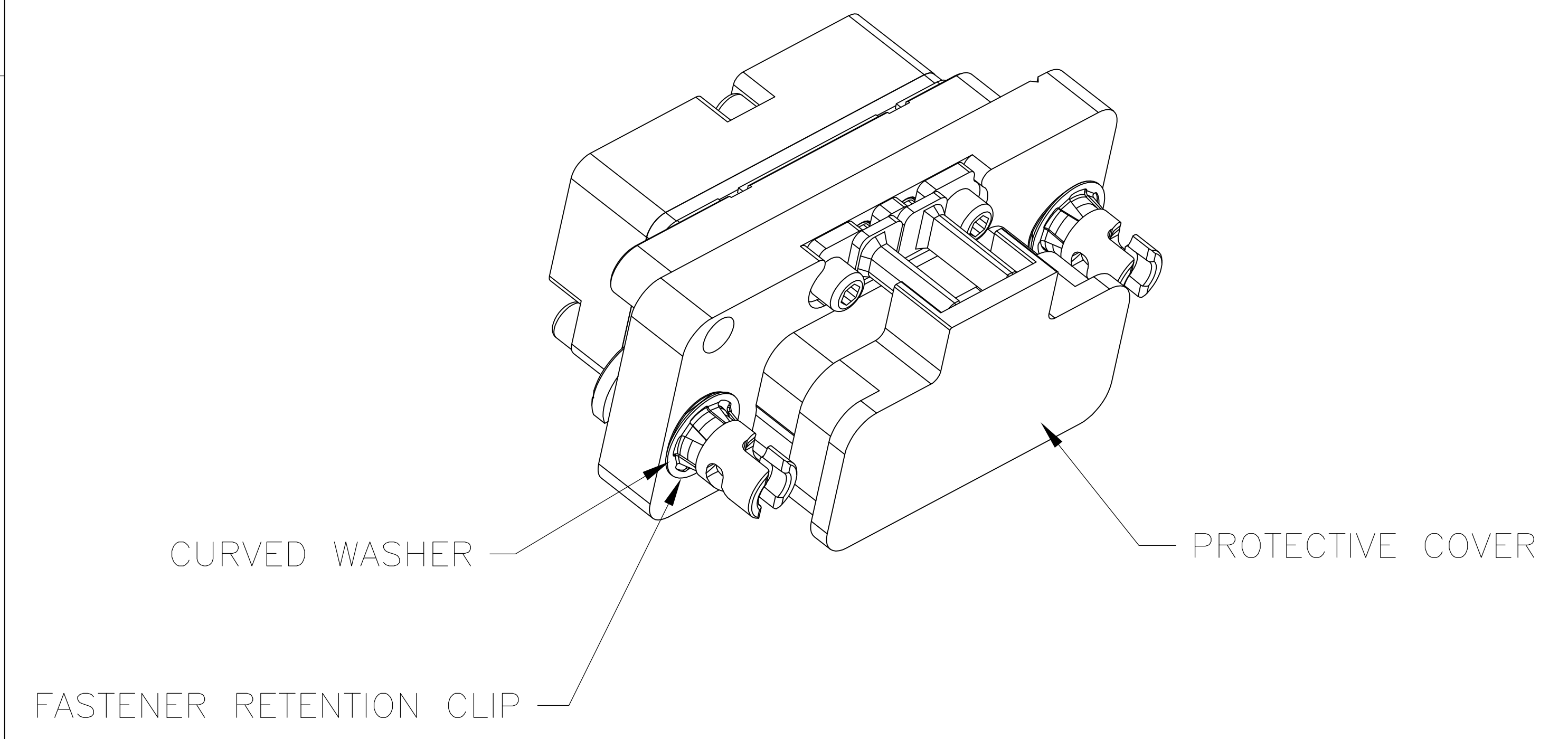
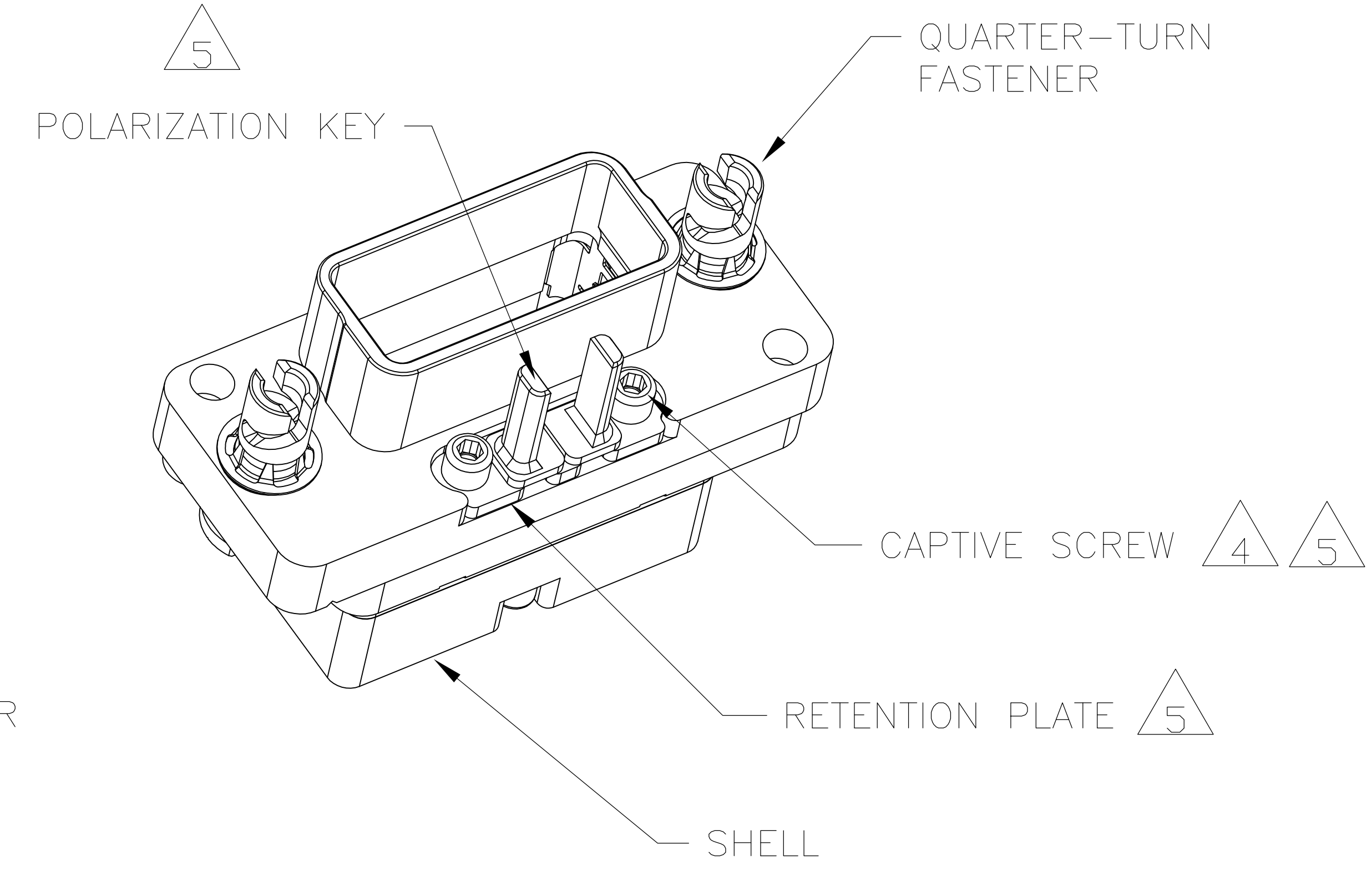
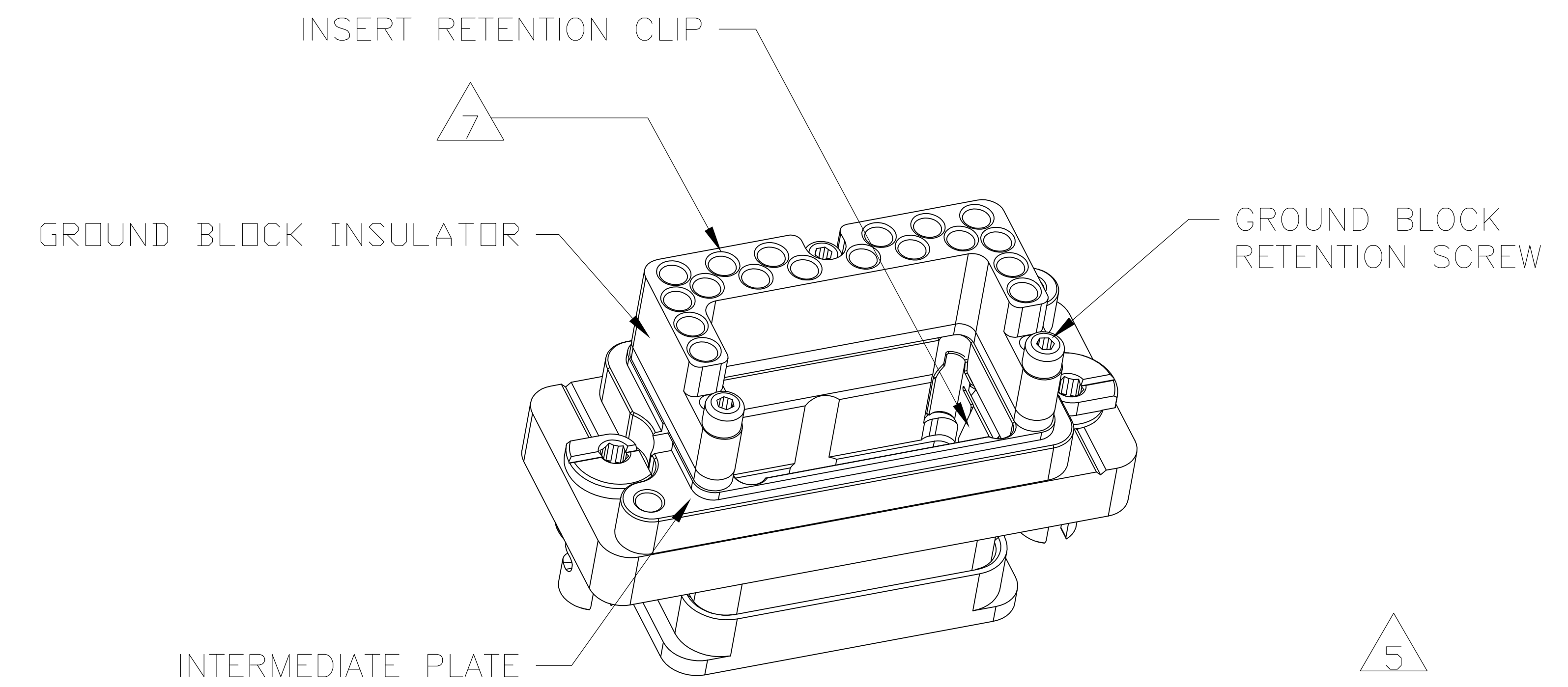
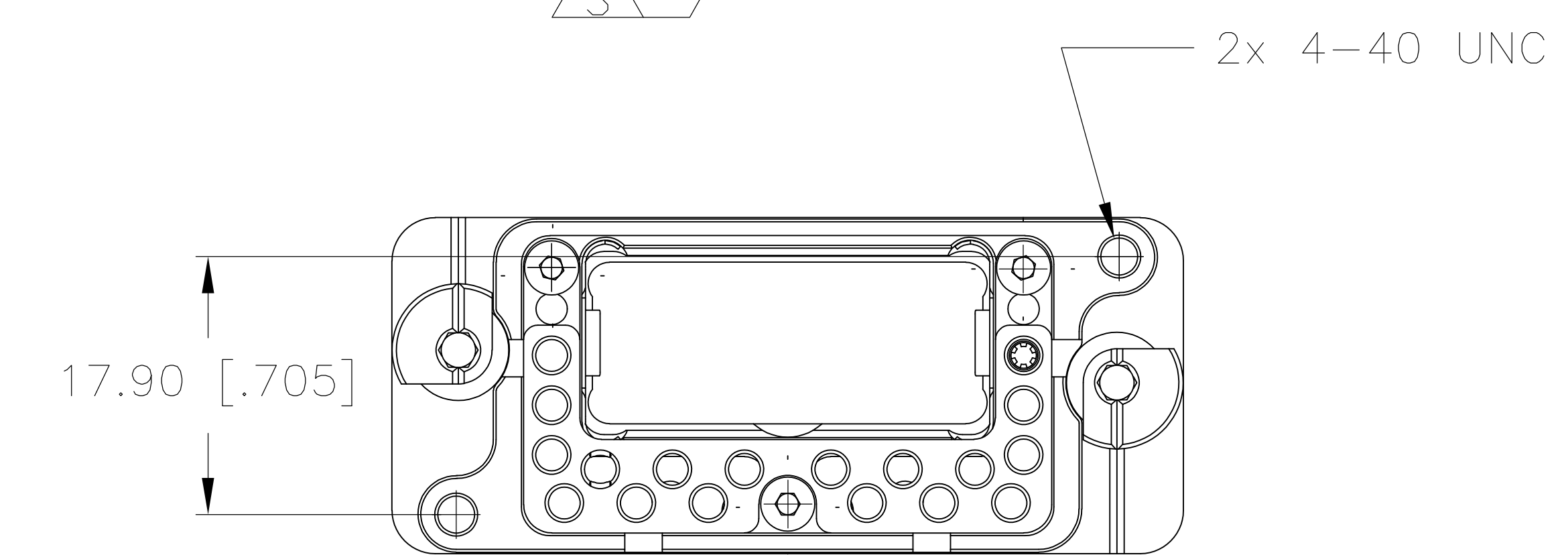
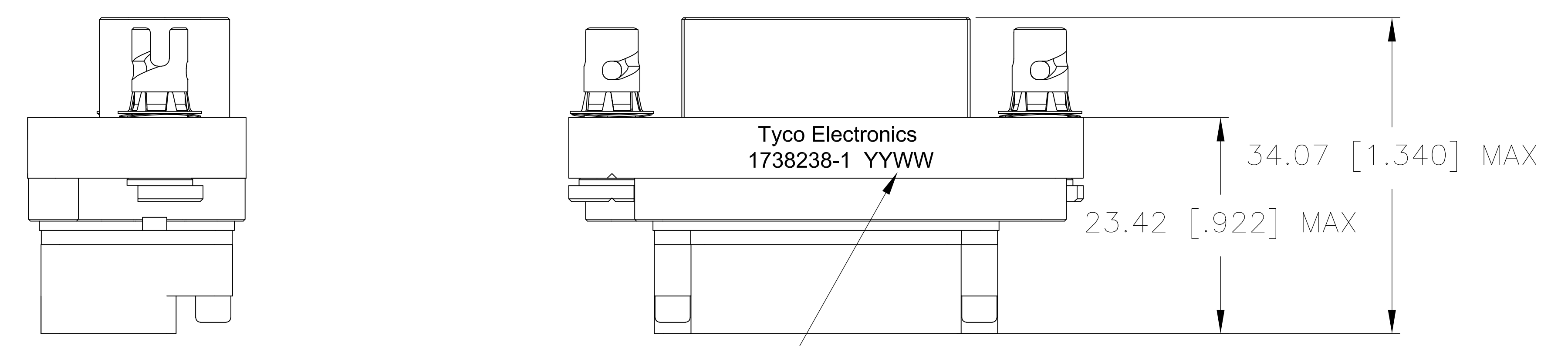
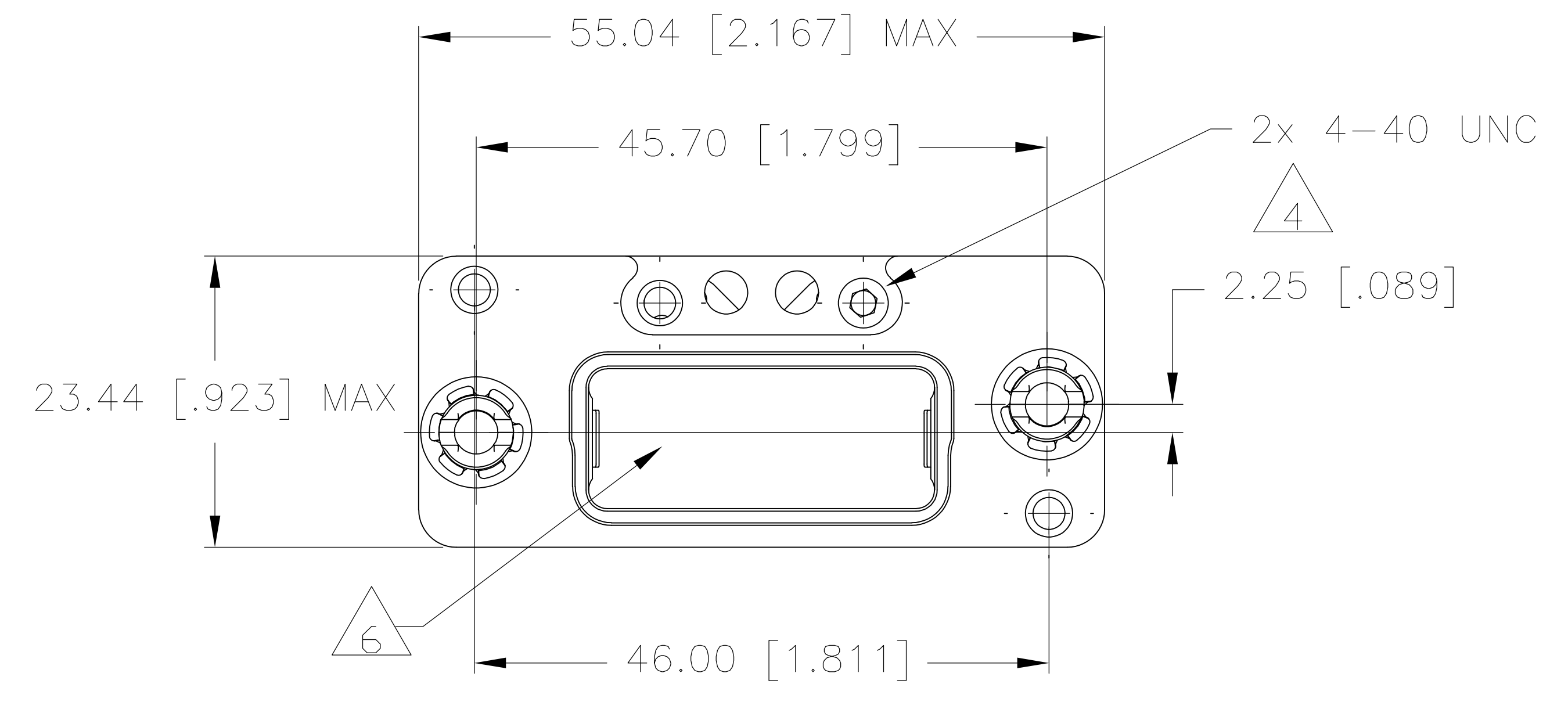
REVISONS		DATE	BY	APP'D
0	CONVERTED RADIAL DWG TO TYCO ACAD DWG	03/04	RF	JM
1	REVISED	25FEB10	RF	JM
2	REVISED	08APR10	RF	JM

- 1 SHELL & KEY RETENTION PLATE: ALUMINUM ALLOY
 QUARTER-TURN FASTENER: COPPER ALLOY PER ASTM B196
 INSERT RETENTION CLIP, CURVED WASHER & FASTENER RETENTION CLIP: COPPER ALLOY PER ASTM B194
 GROUND BLOCK RETENTION SCREW & CAPTIVE SCREW: STAINLESS STEEL PER AISI 303
 INTERMEDIATE PLATE: COPPER ALLOY PER ASTM B103
 SCREW RETENTION CLIPS: STAINLESS STEEL PER AISI 304
 GROUNDING BLOCK INSULATOR & POLARIZATION KEY: PEI THERMOPLASTIC PER ASTM D5205
 PROTECTIVE COVER: THERMOPLASTIC ELASTOMER

- 2 SHELL: ELECTROLESS NICKEL PER SAE AMS-C-26074, CLASS 1.
 INTERMEDIATE PLATE: ELECTROLYTIC NICKEL PER SAE AMS-QQ-N-290
 KEY RETENTION PLATE: ANODIZED, CLEAR
 GROUNDING CLIP: 1.27µm [50 µin] MIN GOLD PER ASTM B488 OVER 1.25 µm [50 µin]
 MIN NICKEL PER SAE AMS-QQ-N-290.

- 3 DATE CODE - YEAR & WEEK (YY WW)
- 4 4-40 CAPTIVE SCREWS ON KEY RETENTION PLATE-RECOMMENDED LOCKING TORQUE: 0.8 N.m [7in-lb]
- 5 THE POLARIZATION KEYS & RETENTION PLATE ARE SHIPPED UNASSEMBLED.
- 6 SHELL CAVITY FOR GPRB SERIES INSERTS WITH KEYING CODE A.
- 7 CAVITIES FOR GROUNDING CONTACTS PER M39029/1-101, QTY: 18

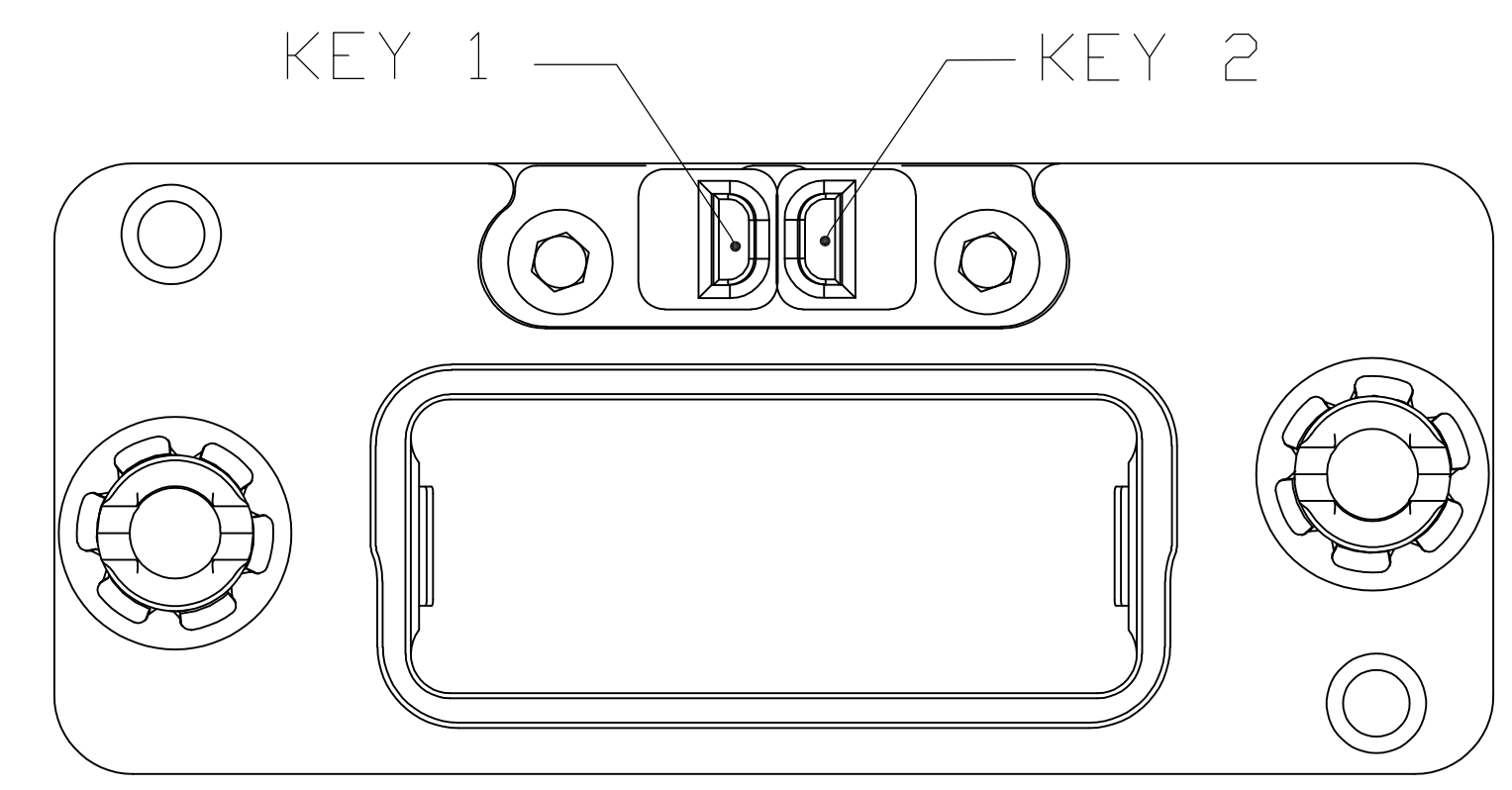
- 8. DESCRIPTIVE PART NUMBER: GPRB1WB04N
 SERIES: GPRB
 SHELL SIZE: 1 (SINGLE-CAVITY SHELL)
 SHELL STYLE: W (PLUG, WITH GROUNDING BLOCK)
 MODIFICATION CODE: B (NO MOUNTING HOLES)
 LOCKING DEVICE: 0 (QUARTER-TURN FASTENER)
 POLARIZATION CODE: 4 (KIT, WITH POLARIZING HARDWARE UNASSEMBLED)
 SHELL PLATING: N (NICKEL PLATING)
- 9. THIS PRODUCT IS SOLD BY TYCO ELECTRONICS UNDER A LICENSE FROM RADIALL SA.



THIS PRINT IS
PRELIMINARY
 UNQUALIFIED PRODUCT
 CONTACT PRODUCT ENGINEERING
 BEFORE USING THIS PRINT

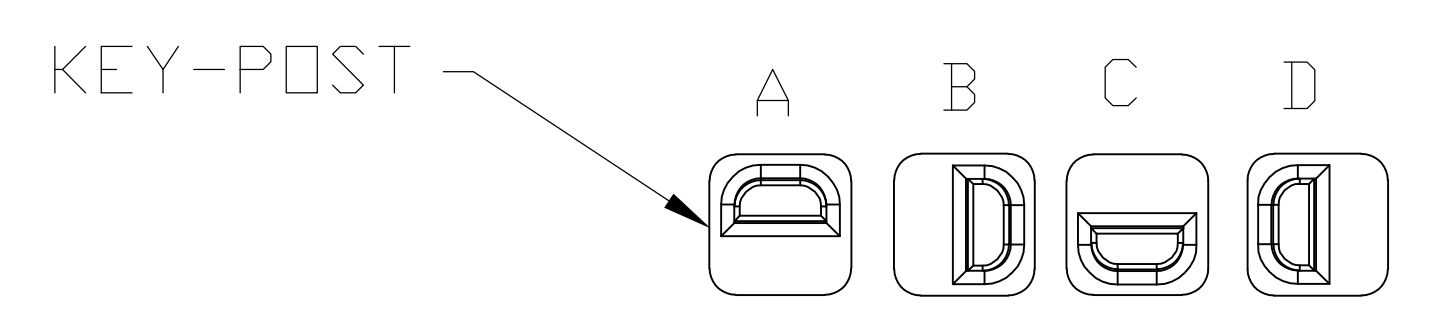
1738238-1
 PART NUMBER

THIS DRAWING IS A CONTROLLED DOCUMENT.		DATE	BY	APPROVED	SCALE	DATE	BY	APPROVED
DIMENSIONS: mm (INCHES)		01/11/10	JL MOSIER	JL MOSIER	1:1	03/04	RF	JM
TOLERANCES UNLESS OTHERWISE SPECIFIED:		PRODUCT SPEC: PLUG SHELL KIT WITH GROUND BLOCK, WITH POLARIZING HARDWARE GPRB1 APPLICATION SPEC: --- WEIGHT: --- FINISH: --- MATERIAL: --- CUSTOMER DRAWING						
DRAWING NO: A000779		SCALE: 1:1		SHEET: 1 OF 2		REV: 2		



CODE NUMBER 08 SHOWN: B-D
 POLARIZATION KEY 1 ↗ ↖ POLARIZATION KEY 2

PLUG CONNECTOR POLARIZATION



CODE NUMBER	KEY 1	KEY 2
01	A	A
02	A	B
03	A	C
04	A	D
05	B	A
06	B	B
07	B	C
08	B	D
09	C	A
10	C	B
11	C	C
12	C	D
13	D	A
14	D	B
15	D	C
16	D	D

KEY-POST ORIENTATION

THIS PRINT IS
PRELIMINARY
 UNQUALIFIED PRODUCT
 CONTACT PRODUCT ENGINEERING
 BEFORE USING THIS PRINT

1738238-1
 PART NUMBER

THIS DRAWING IS A CONTROLLED DOCUMENT.		DATE	BY	APPROVED	SCALE	SHEET	REV.
DIMENSIONS: UNLESS OTHERWISE SPECIFIED: mm (INCHES)		0. PLG	1. PLG	2. PLG	3. PLG	4. PLG	5. PLG
TOLERANCES UNLESS OTHERWISE SPECIFIED:		0. PLG	1. PLG	2. PLG	3. PLG	4. PLG	5. PLG
TYPICAL VALUES		0. PLG	1. PLG	2. PLG	3. PLG	4. PLG	5. PLG
FINISH		MATERIAL		WEIGHT		CUSTOMER DRAWING	
APPROVED		DATE		SCALE		SHEET	
DRAWING NO.		DRAWING NO.		DRAWING NO.		DRAWING NO.	
DRAWING NO. A000779		DRAWING NO. 1738238		DRAWING NO. 1738238		DRAWING NO. 1738238	
SCALE 1:1		SHEET 2 OF 2		REV. 2		REV. 2	